

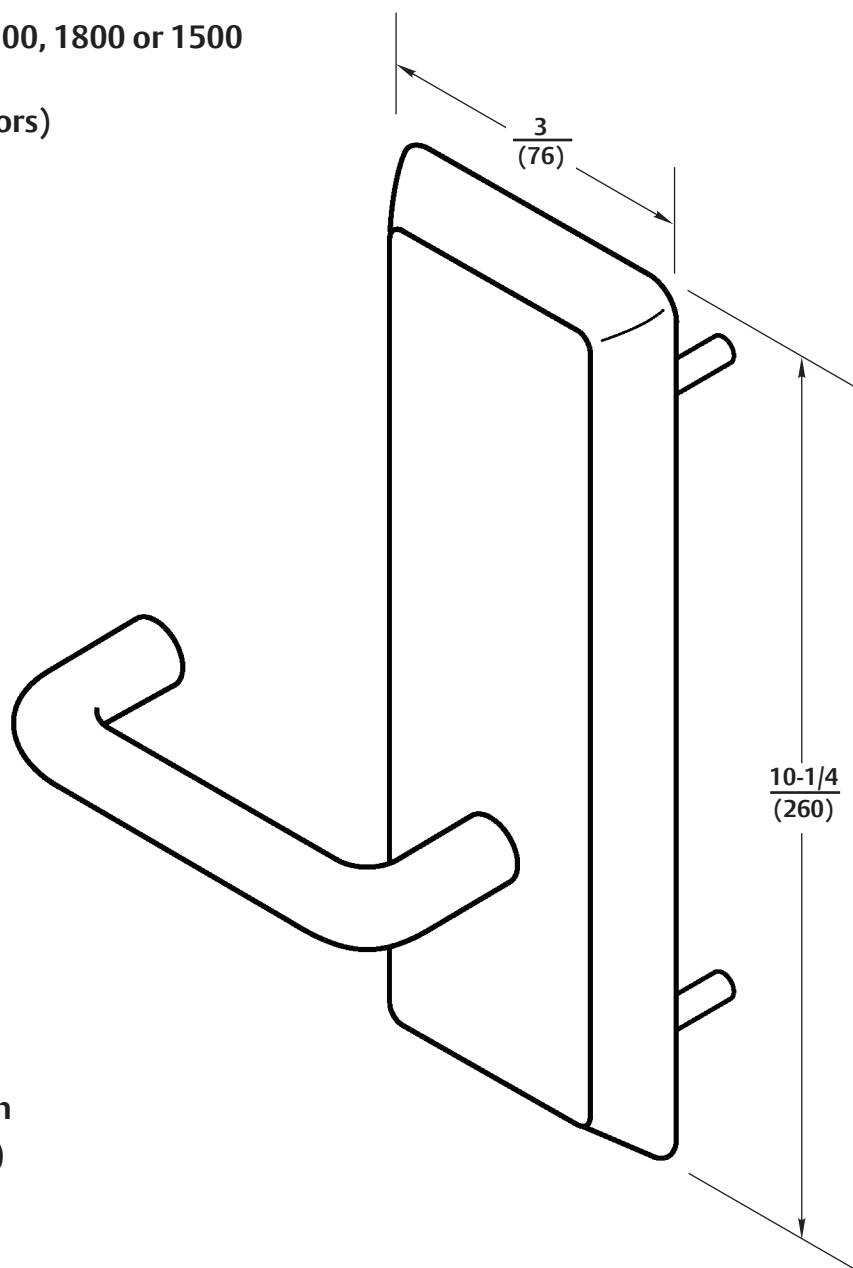
628F

ASSA ABLOY

Exit Device Trim

Installation Instructions

For use with 7000, 2100, 1800 or 1500
Series Exit Devices
(Wood and Metal Doors)



Passage Function Trim
Handed (RHR or LHR)
Lever Always Active

WARNING

This product can expose you to lead which is known to the state of California to cause cancer and birth defects or other reproductive harm. For more information go to www.P65warnings.ca.gov.

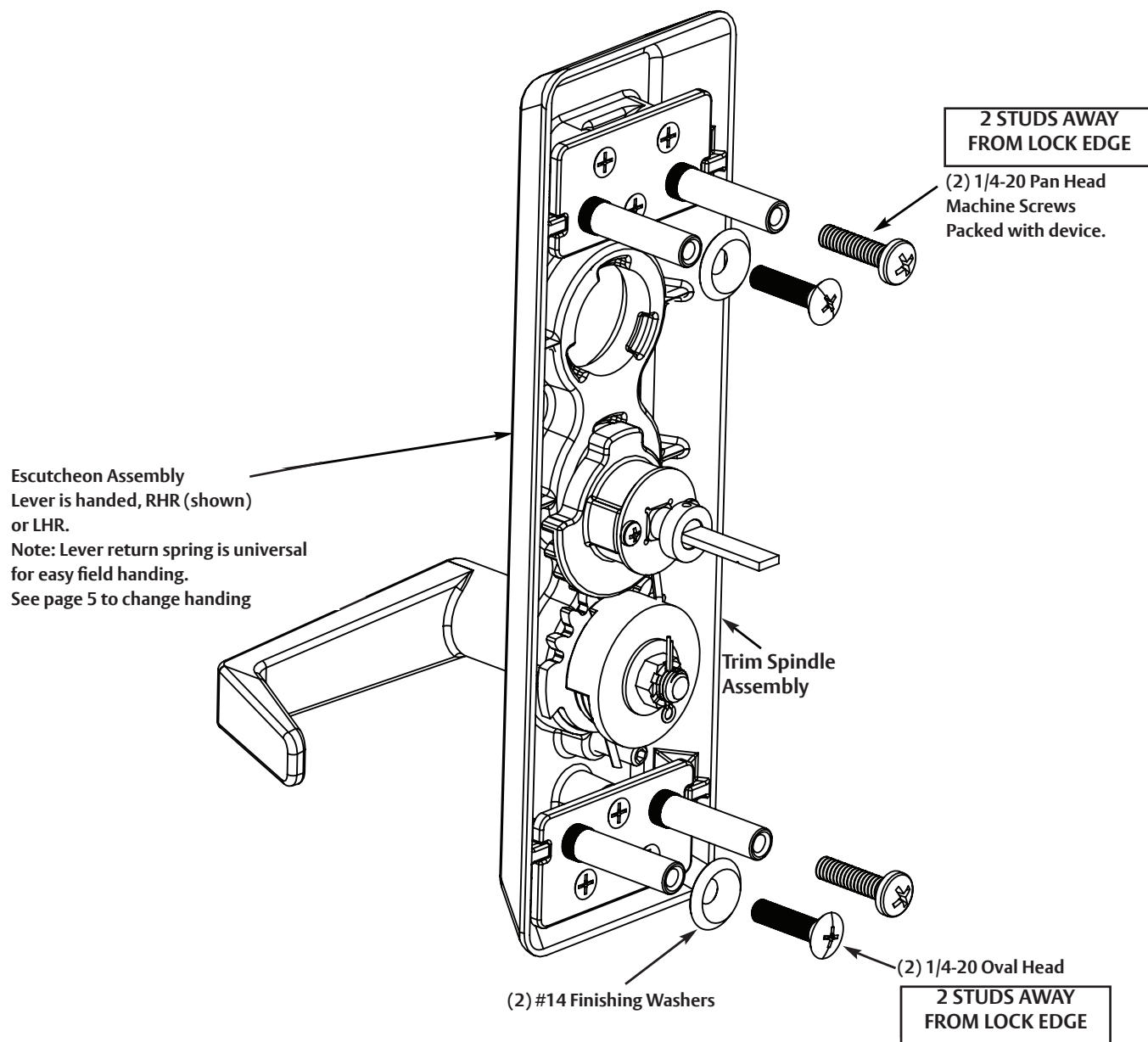
WARNING

Attention Installer: Any retrofit or other field modification to a fire rated opening can potentially impact the fire rating of the opening, and ASSA ABLOY makes no representations or warranties concerning what such impact may be in any specific situation. When retrofitting any portion of an existing fire-rated opening, or specifying and installing a new fire-rated opening, please consult with a code specialist or local code official (Authority Having Jurisdiction) to ensure compliance with all applicable codes and ratings.

80-847-0628-000 11/23

1-855-557-5078 • www.assaabloy.com

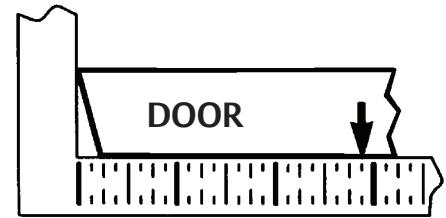
1. Trim Components



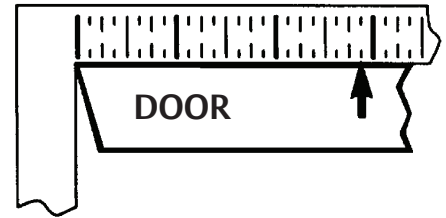
**Exit Device Trim
Installation Instructions**

2. Installation

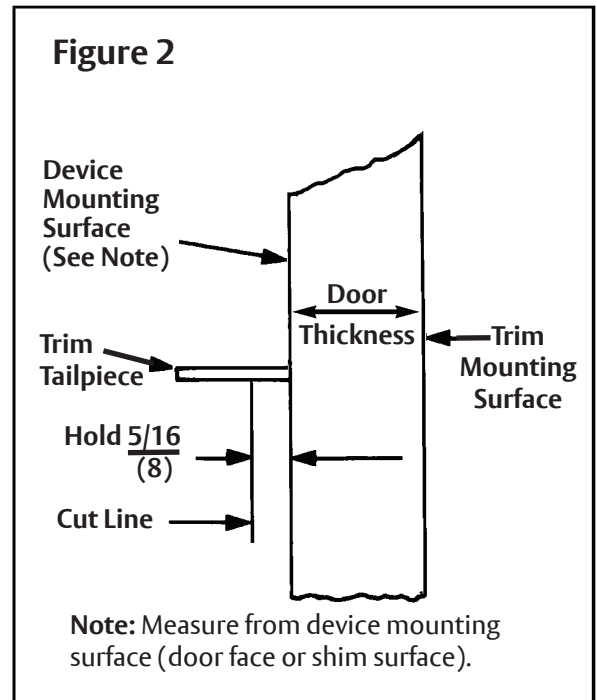
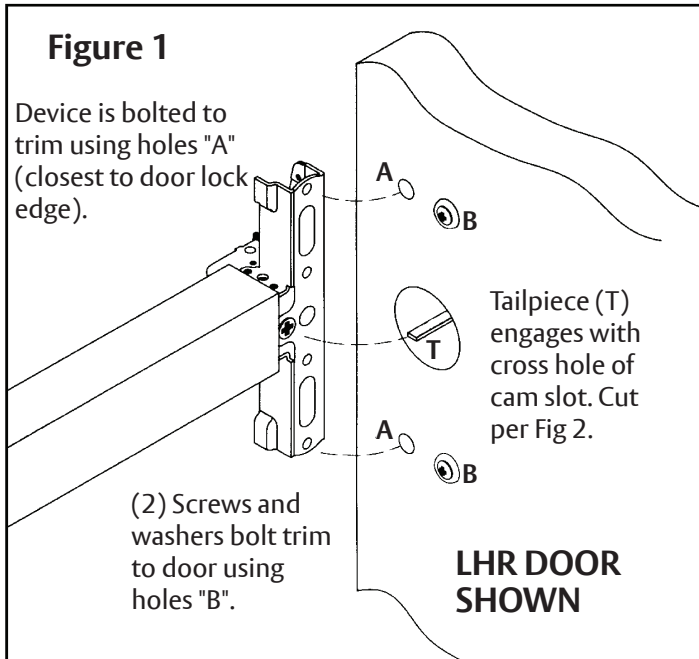
1. Assemble trim. See previous page for components
2. After marking door inside face for device location (Device Instructions) transfer Vertical Reference Centerline from inside to outside door face. Follow steps 2a and 2b below.
3. Transfer Horizontal Reference Centerline from inside to outside door face.
4. Align trim template and tape to outside door face
5. Spot holes and prepare door for trim.
6. Mount trim to door thru holes "B". Fasten finger tight only with 2 screws and washers seating on door as shown in Figure 1.
7. Cut trim tailpiece as shown in Figure 2.
8. Seat device so that trim tailpiece penetrates cam slot as shown in Figure 1. Continue as shown in device instructions.



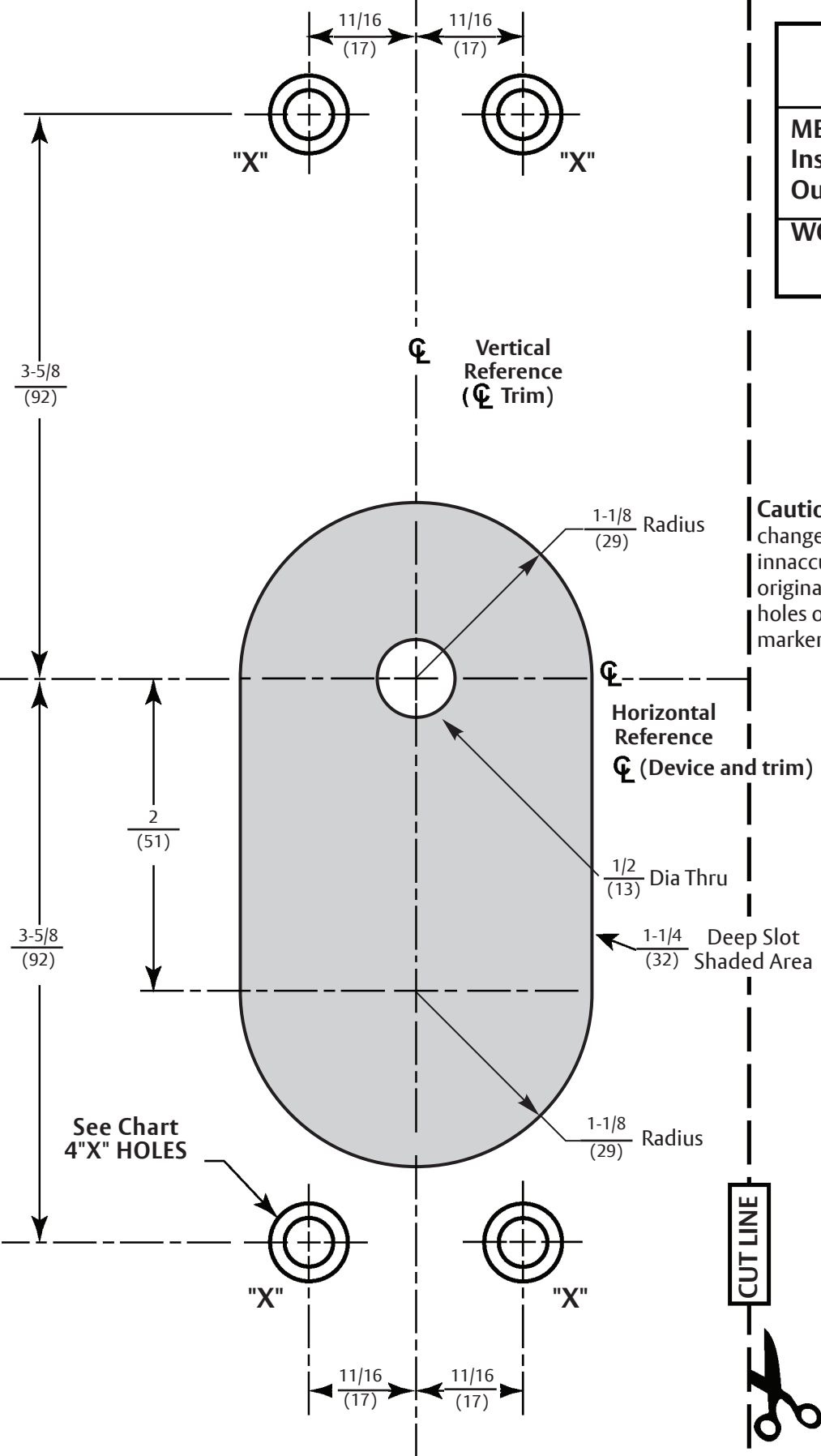
**2a. MEASURE INSIDE
LINE LOCATION.**



**2b. TRANSFER DIMENSION
TO OUTSIDE FACE**



Outside Door Face



Trim Template

HOLES MARKED "X" (4 PLACES)	
METAL DOORS:	5/16" (8) Dia.
Inside Face	1/2" (13) Dia.
Outside Face	1/2" (13) Dia.
WOOD DOORS:	1/2" (13) Dia. Thru

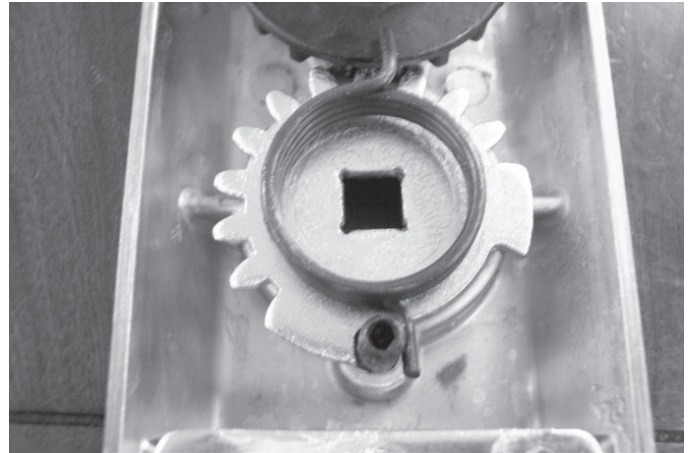
Dimensions given in $\frac{\text{Inches}}{\text{(mm)}}$

Caution: Office copiers and facsimile machines may change the size of a drawing and make the template inaccurate to use as a door maker. If this is not the original template packed with the trim, use only the holes on the door (do not use template as a door marker).

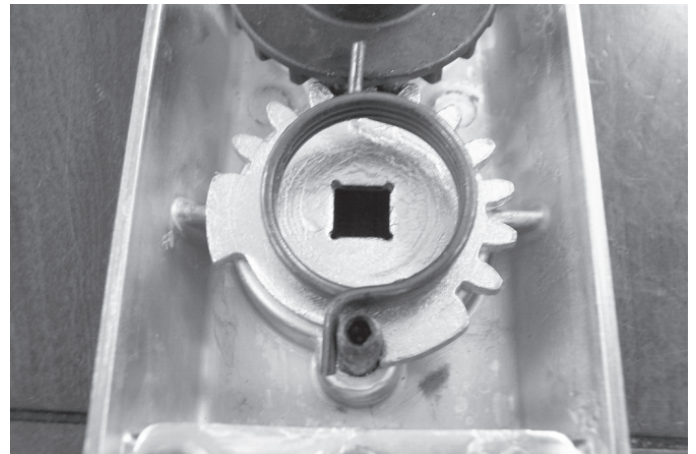
Note:

1. During change ensure black driven gear does not rotate.
2. Please wear safety glasses and be aware of spring tension on spring hub upon removal and assembly.
3. Light lubrication is recommended under flat gear, white lithium grease can be used.

LEFT HAND REVERSE GEAR & SPRING ORIENTATION



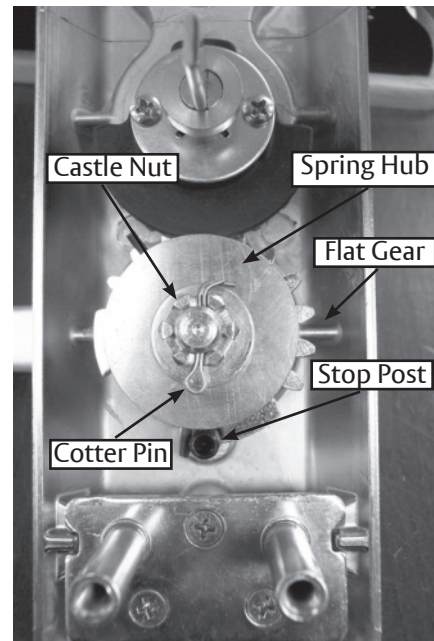
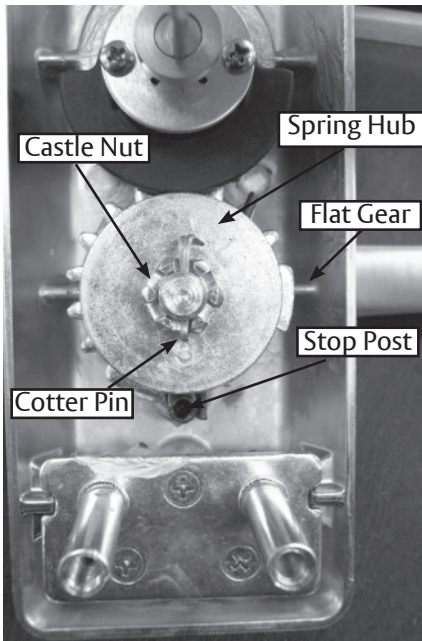
RIGHT HAND REVERSE GEAR & SPRING ORIENTATION



4. To Change Hands

Tools Needed: Needle Nose pliers, Crescent wrench.

1. Remove cotter pin.
2. Remove castle nut.
3. Remove washer.
4. Carefully pull up on spring hub to disengage spring.
5. Remove spring and note orientation.
6. Remove lever handle.
7. Pick-up flat gear, flip and orient stop on opposite side of stop post. See pictures for orientation.
8. Install spring upside down from original orientation and place spring leg on opposite side of stop post from original installation orientation. See pictures for orientation.



628F

Exit Device Trim

Installation Instructions

4. To Change Hands cont'd

Tools Needed: Needle Nose pliers, Crescent wrench.

9. Install lever 180 degrees from original position.
10. Install spring hub with stamped number in the 6 o'clock position.
11. Rotate spring leg around with needle nose pliers to engage notch in spring hub, refer to pictures for reference position. Press down on spring hub to ensure complete engagement.
12. Install washer.
13. Install castle nut, do not over tighten, verify by insuring lever returns horizontally on its own.
14. Install cotter pin.

NOTCH FOR SPRING TO ENGAGE FOR LEFT HAND REVERSE OPERATION



SPRING ORIENTATION FOR RIGHT HAND REVERSE OPERATION



