

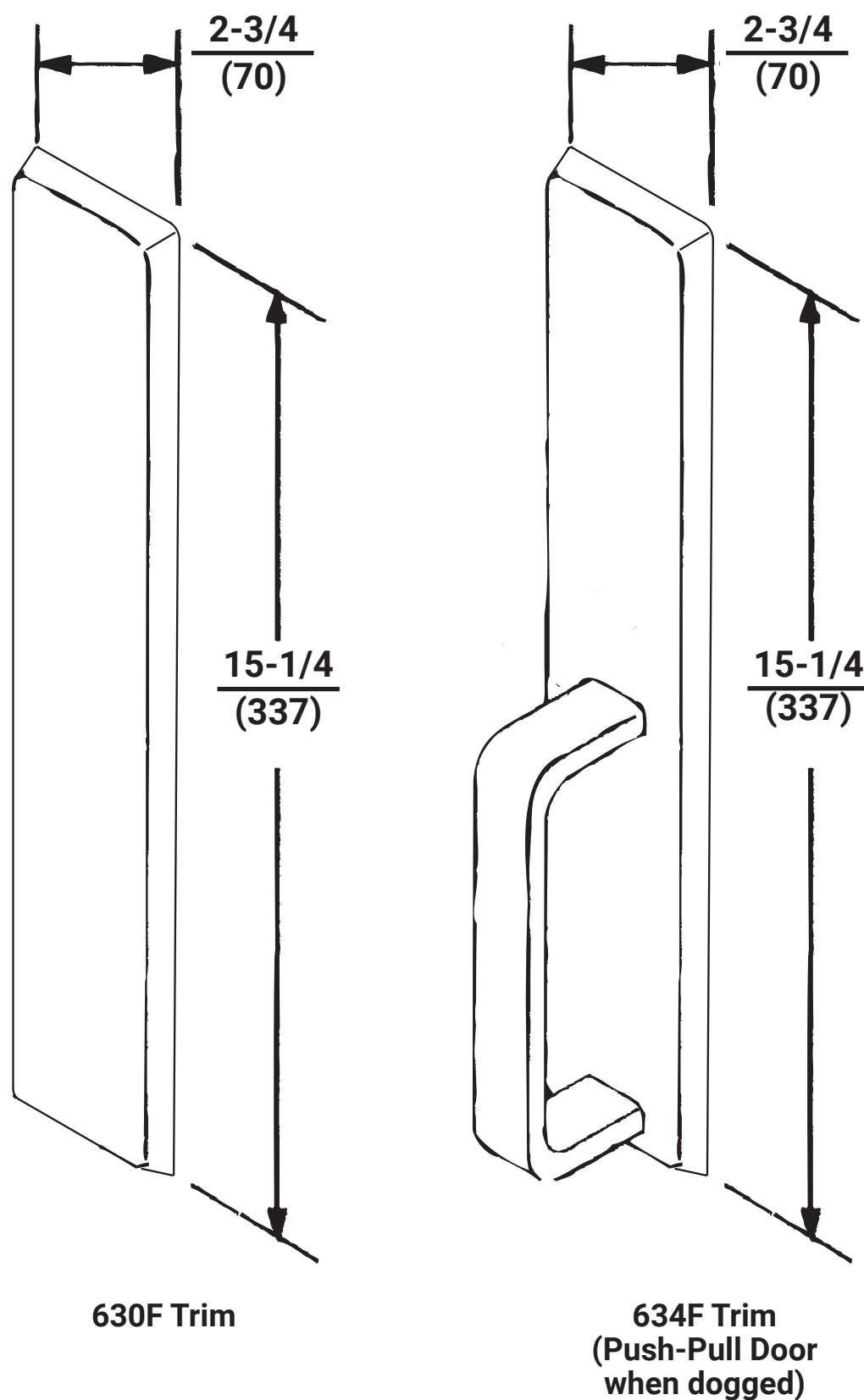
# 630F & 634F

## Exit Device Trim

### Installation Instructions

ACCENTRA

ASSA ABLOY



#### ⚠ WARNING

This product can expose you to lead which is known to the state of California to cause cancer and birth defects or other reproductive harm. For more information go to [www.P65warnings.ca.gov](http://www.P65warnings.ca.gov).

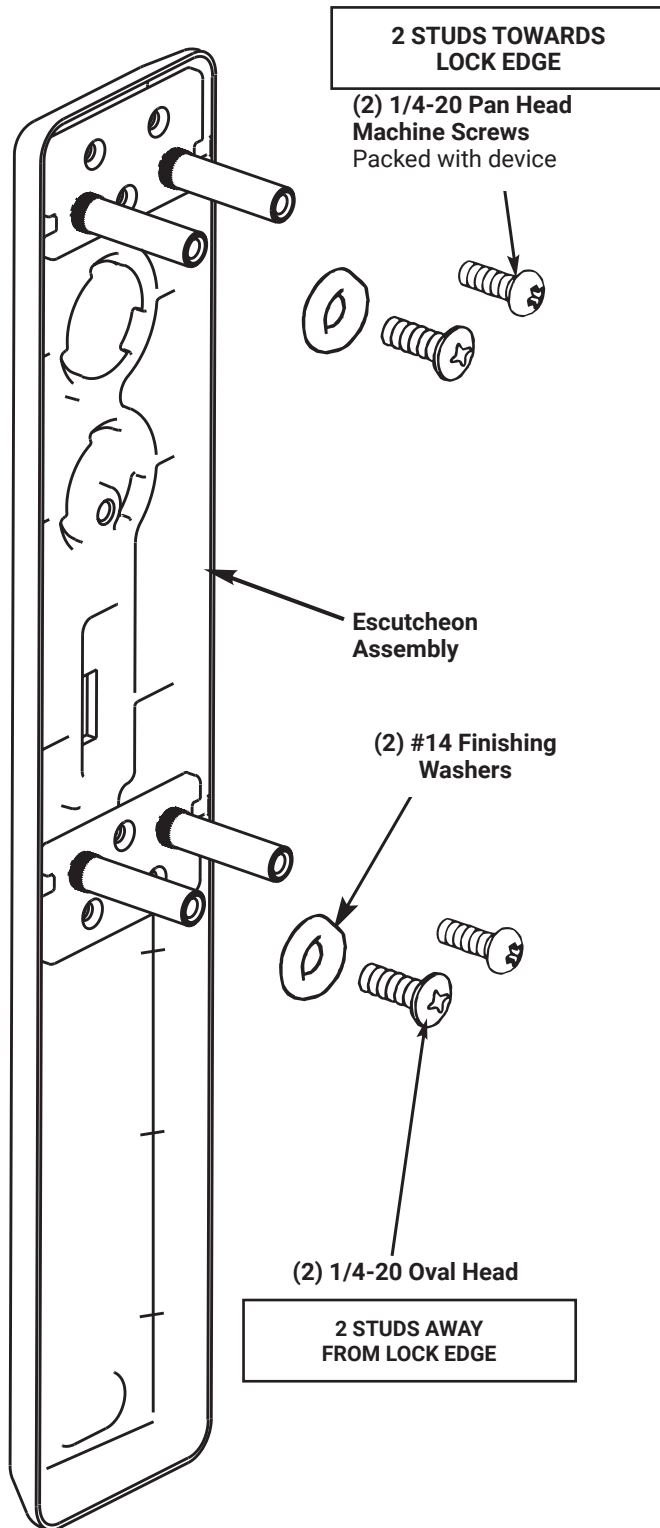
#### ⚠ WARNING

Attention Installer: Any retrofit or other field modification to a fire rated opening can potentially impact the fire rating of the opening, and ASSA ABLOY makes no representations or warranties concerning what such impact may be in any specific situation. When retrofitting any portion of an existing fire-rated opening, or specifying and installing a new fire-rated opening, please consult with a code specialist or local code official (Authority Having Jurisdiction) to ensure compliance with all applicable codes and ratings.

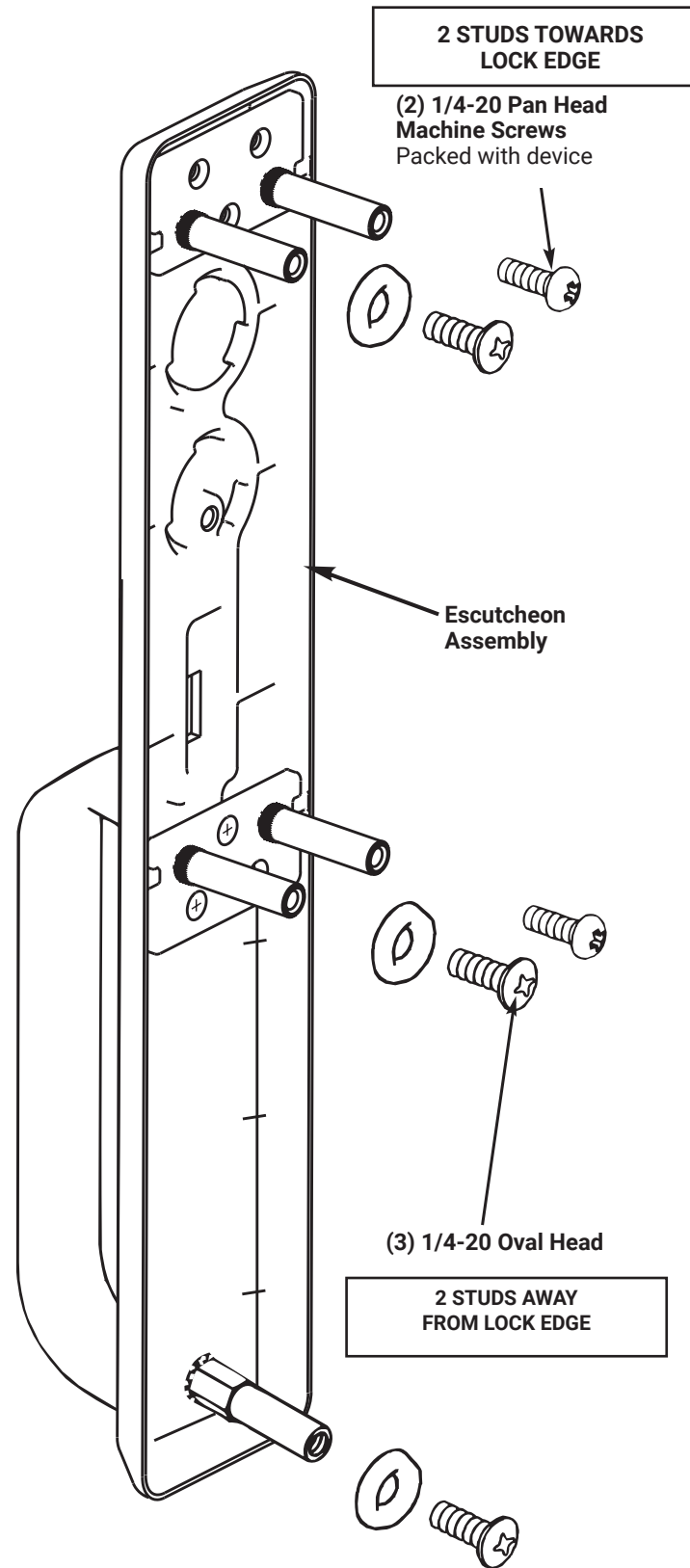
80-8470-0634-000 04/24

**1. Parts**

**630F Trim**

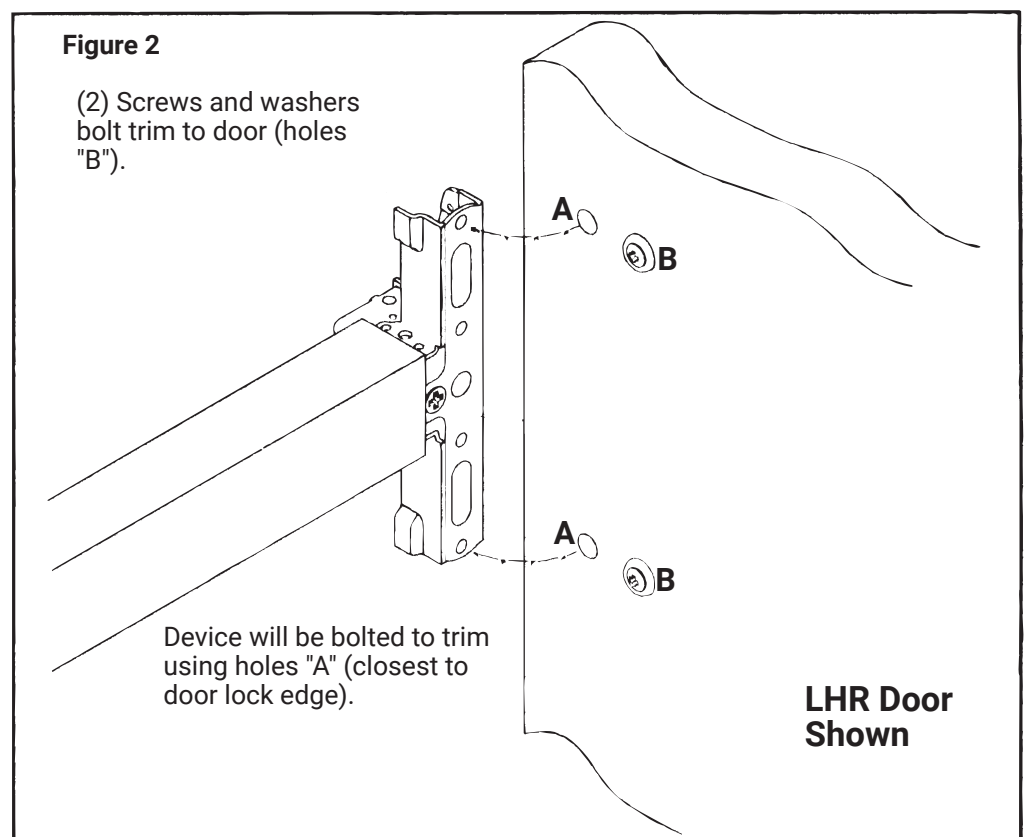
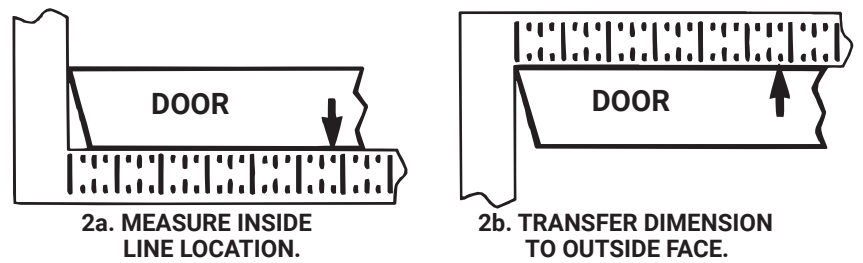


**634F Trim**



**2. Installation**

1. Check box for components.
2. After marking door inside face for device location (Device Instructions), carry "Vertical Reference Centerline" from inside door face. Follow steps 2a. and 2b., shown to the right.
3. Transfer Horizontal Reference Centerline from inside to outside door face.
4. Align trim template and tape to outside door face.
5. Spot holes and prepare door for trim.
6. Mount trim to door thru holes "A" with (2) mounting screws as shown in Fig. 2. Use the remaining (3) oval headed screws and finish washers to secure the trim to the door surface thru location "B" as shown in Fig. 2, the third screw and washer attaches to the hole located at the bottom of the trim.
7. Continue as shown in device instructions.



# 630F & 634F Trim Template

## HOLES MARKED "A" & "X"

### METAL DOORS:

Inside Face 5/16" (8) Dia.  
Outside Face 1/2" (13) Dia.

### WOOD DOORS:

1/2" (13) Dia. Thru

Dimensions given in  $\frac{\text{Inches}}{\text{(mm)}}$

TRIM	HOLES
630F	X
634F	A, X

**CAUTION:** Office copiers and facsimile machines may change the size of a drawing and make the template inaccurate to use as a door marker. If this is not the original template packed with the trim, use only the holes on the door (do not use template as a door marker).

