

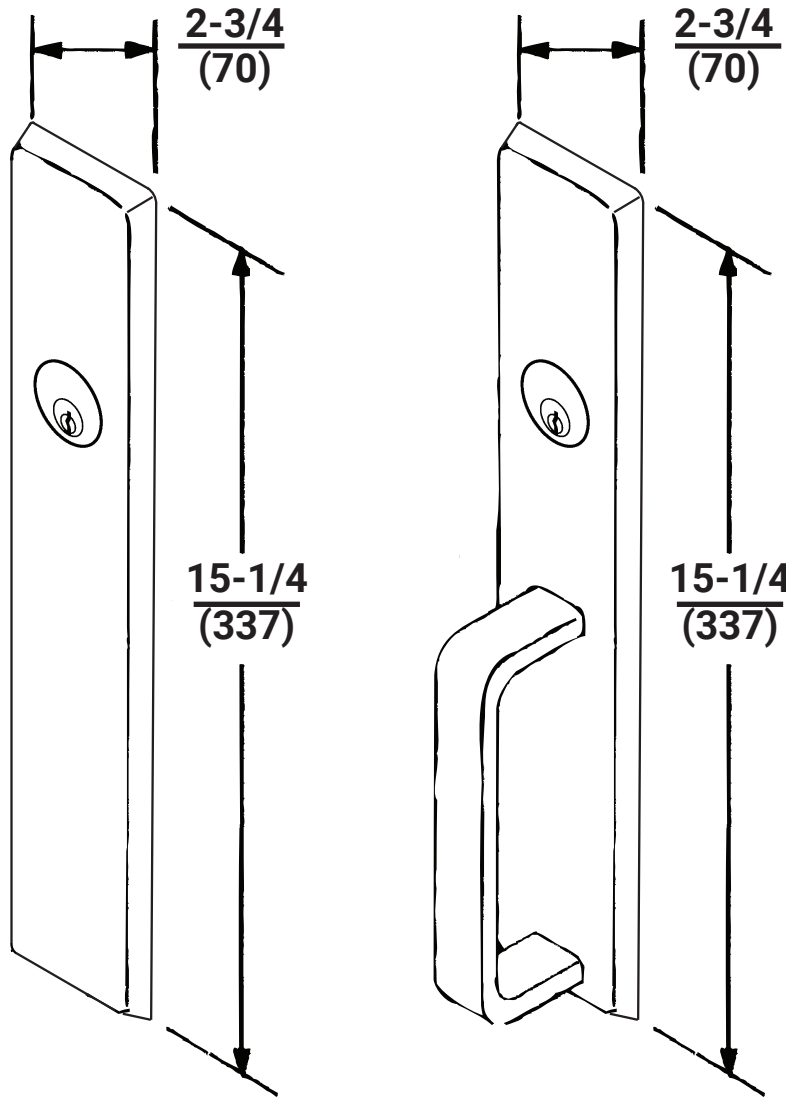
631F & 632F

Exit Device Trim

Installation Instructions

ACCENTRA

ASSA ABLOY



631F Trim

632F Trim

WARNING

This product can expose you to lead which is known to the state of California to cause cancer and birth defects or other reproductive harm. For more information go to www.P65warnings.ca.gov.

WARNING

Attention Installer: Any retrofit or other field modification to a fire rated opening can potentially impact the fire rating of the opening, and ASSA ABLOY makes no representations or warranties concerning what such impact may be in any specific situation. When retrofitting any portion of an existing fire-rated opening, or specifying and installing a new fire-rated opening, please consult with a code specialist or local code official (Authority Having Jurisdiction) to ensure compliance with all applicable codes and ratings.

1-855-557-5078 Ext. 2 • www.accentra-assaabloy.com

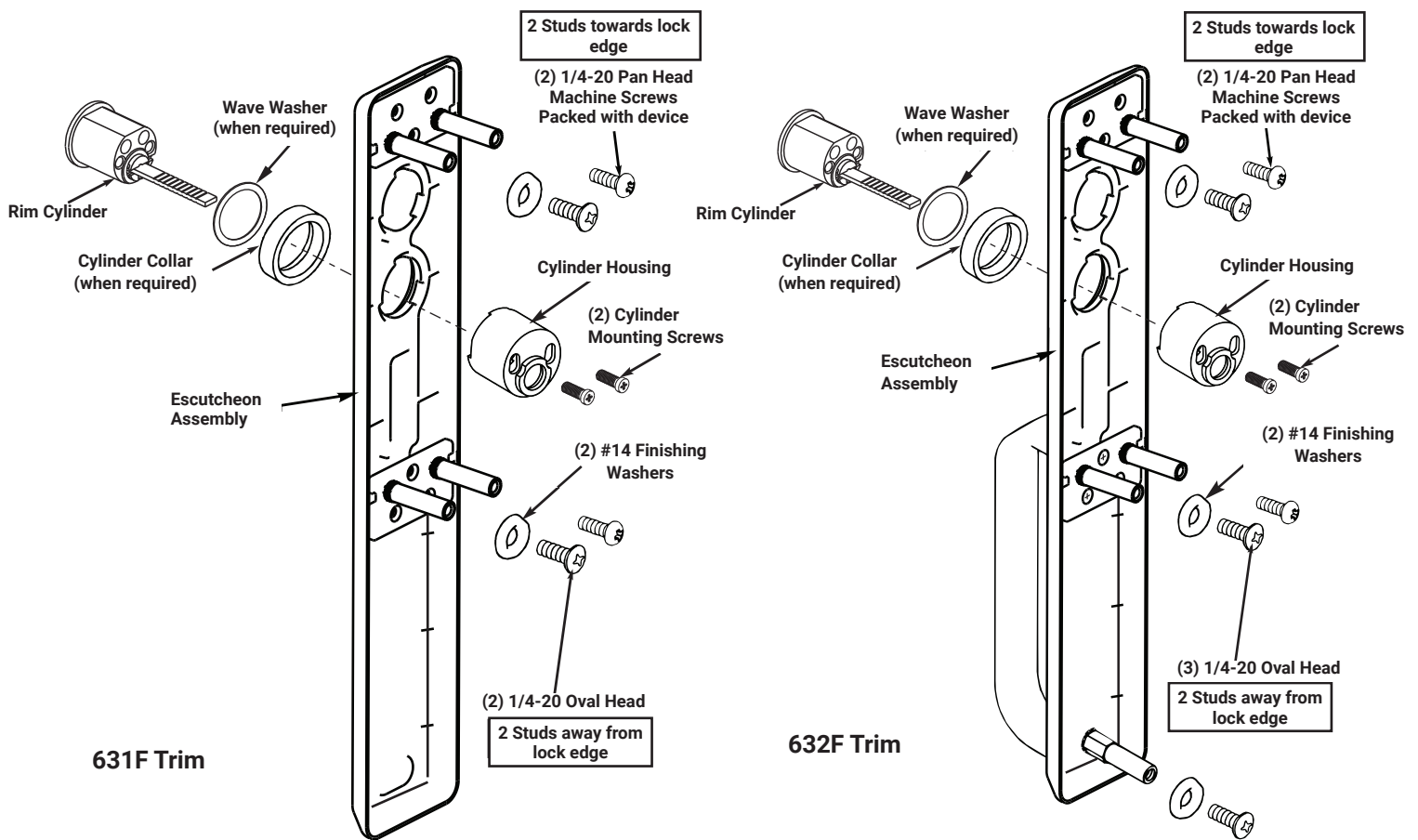
Copyright © 2005, 2013, 2023, 2024, ASSA ABLOY ACCENTRA™ Access and Egress Hardware Group, Inc. All rights reserved.
Reproduction in whole or in part without the express written permission of ASSA ABLOY Access and Egress Hardware Group, Inc. is prohibited.

80-8470-0631-000 04/24

Experience a safer
and more open world

1. Assembly

1. Check cylinder components. Non-standard cylinder collars and mounting screws must be supplied with optional cylinders.
2. Assemble cylinder. Insert cylinder housing prongs into escutcheon matching notches. Pass cylinder tailpiece thru cylinder collar (when required), escutcheon, and cylinder housing. Fasten cylinder seated in "cylinder recess" in escutcheon using (2) screws provided. (DO NOT OVER TIGHTEN SCREWS).
3. Check cylinder action. Cylinder key must freely rotate tailpiece when turned in either direction.



2. Installation

1. Check box for components.
2. After marking door inside face for device location (Device Instructions), carry "Vertical Reference Centerline" from inside door face. Follow steps 2a. and 2b., Shown to right.
3. Transfer Horizontal Reference Centerline from inside to outside door face.
4. Align trim template and tape to outside door face.
5. Spot holes and prepare door for trim
6. Mount trim to door thru holes "A" with (2) mounting screws as shown in Fig. 1. Use the remaining (3) oval headed screws and finish washers to secure the trim to the door surface thru location "B" as shown in Fig. 1, the third screw and washer attaches to the hole located at the bottom of the trim (632F Trim Only).
7. Cut cylinder tailpiece as shown in Fig. 2.
8. Seat device so that the trim tailpiece penetrates cam slot as shown in Fig. 1. Continue as shown in device instructions.

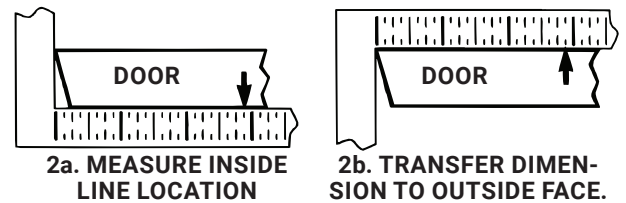


Figure 1

(2) Screws and washers bolt trim to door (holes "B").

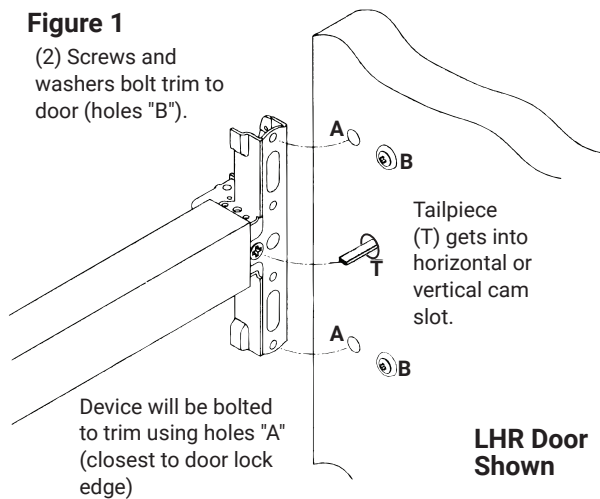
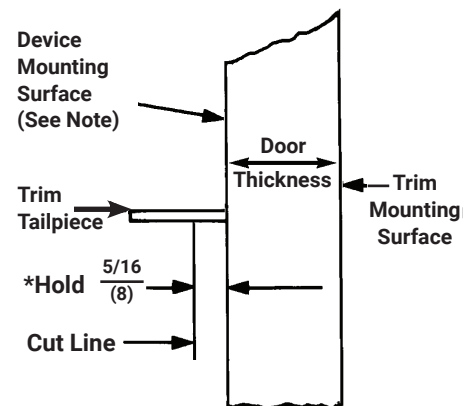


Figure 2



NOTE: Measure from device mounting surface (door face or shim surface).

* Trim must be in un-locked position.

631F & 632F Trim Template

HOLES MARKED "A" & "X"	
METAL DOORS:	
Inside Face	5/16" (8) Dia.
Outside Face	1/2" (13) Dia.
WOOD DOORS:	
	1/2" (13) Dia. Thru

Dimensions given in Inches .
(mm)

TRIM	HOLES
631F	B, C, & X
632F	A, B, C, & X

CAUTION: Office copiers and facsimile machines may change the size of a drawing and make the template inaccurate to use as a door marker. If this is not the original template packed with the trim, use only the holes on the door (do not use template as a door marker).

Dimensions given in Inches .
(mm)

Outside Door Face

