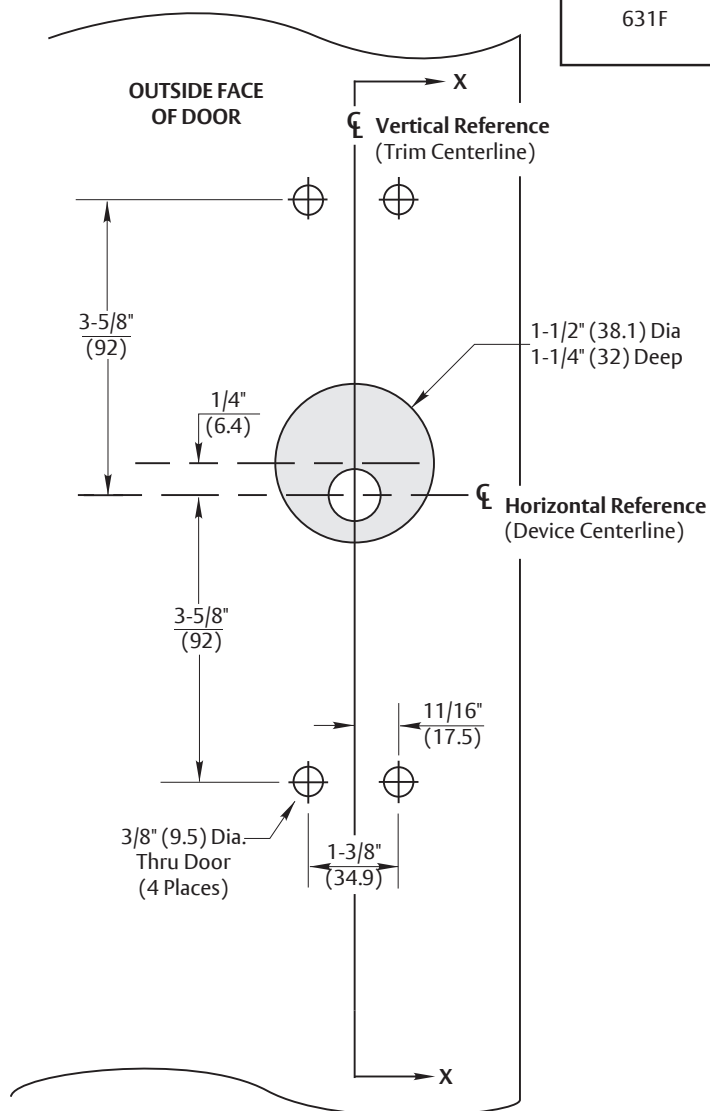
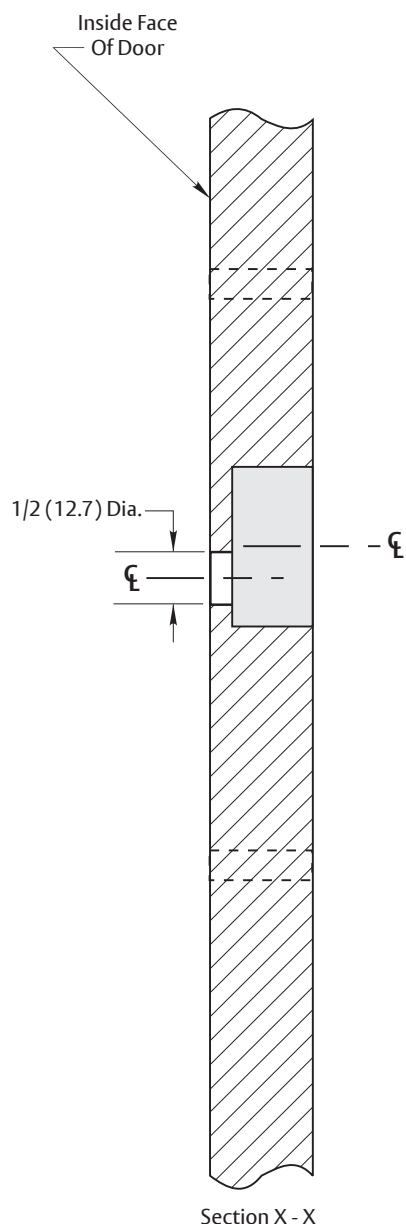
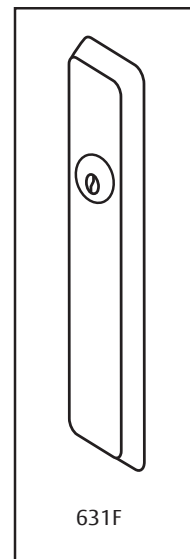


**NOTES:**

1. This template is an addition to the device template. Locate centerlines using horizontal and vertical references on device template.
2. Do not scale drawing.
3. Dimensions are in inches (mm).
4. LHR door shown. Preparation is typical for both door hands.
5. Provide adequate internal support to maintain door integrity during operation.
6. Dimensions given about a centerline are symmetrical.



**RESPONSIBILITY**

DOOR AND FRAME MANUFACTURERS ARE RESPONSIBLE FOR PROVIDING ADEQUATE CONSTRUCTION OR REINFORCEMENTS FOR PROPER INSTALLATION OF HARDWARE SHOWN. ALL ARCHITECTURAL BUILDERS HARDWARE MUST BE INSTALLED ON PROPERLY REINFORCED DOORS AND FRAMES, REGARDLESS OF TYPE, MATERIAL, OR METHOD OF CONSTRUCTION.

**631F Trim**  
**With 1500(F), 2100(F) or 7100(F) Series**  
**Rim and Vertical Rod Exit Devices**  
 Wood or Composite Door Preparation  
**Contact us for support at 1-800-438-1951.**

**ASSA ABLOY**

SUPERSEDES 7400-1631 (08-12)	DO NOT SCALE DRAWING	
TEMPLATE NUMBER 7400-1631	DATE	12-23