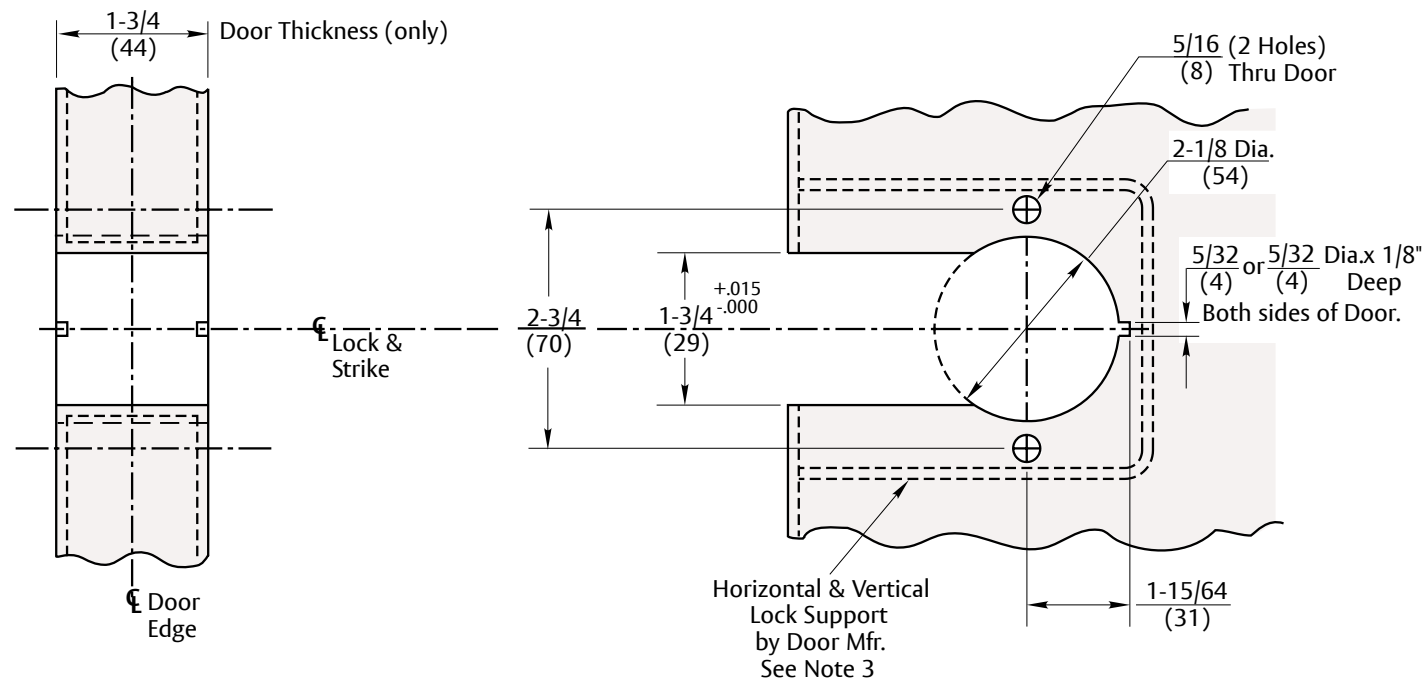
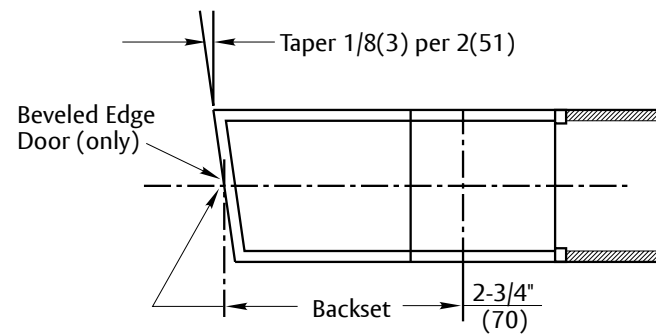


Notes:

1. Do not scale drawing.
2. For strike preparation refer to:
 495 Strike - Template No. 7102-0005
 497 Strike - Template No. 7102-0003
3. H.M. door manufacturer must provide supports within the door to keep the door from collapsing when lock is installed.
4. All dimensions given in inches (mm).



Experience a safer
and more open world

Copyright © 1997, 2023, ASSA ABLOY Access and Egress Hardware Group, Inc. All rights reserved. Reproduction in whole or in part without the express written permission of ASSA ABLOY Access and Egress Hardware Group, Inc. is prohibited.

6400LN Series Mono Lock Retrofit Lockset
Wood or H.M. Door Preparation
(Modified ANSI A115.6)

Template Number:
7150-2001
Sheet: 1 of 1
Date: 12/23

ASSA ABLOY

1-855-557-5078
www.assaabloy.com