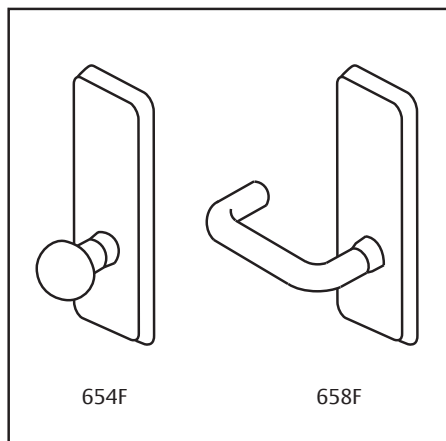
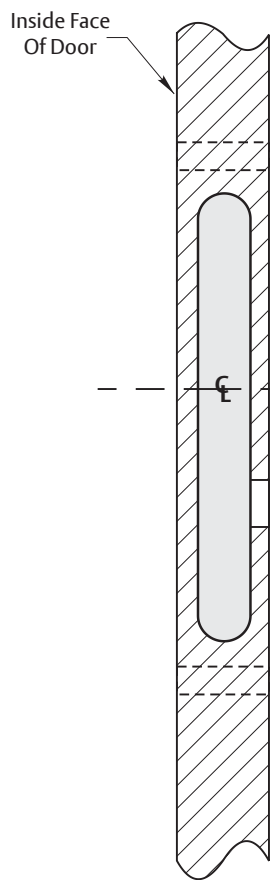


NOTES:

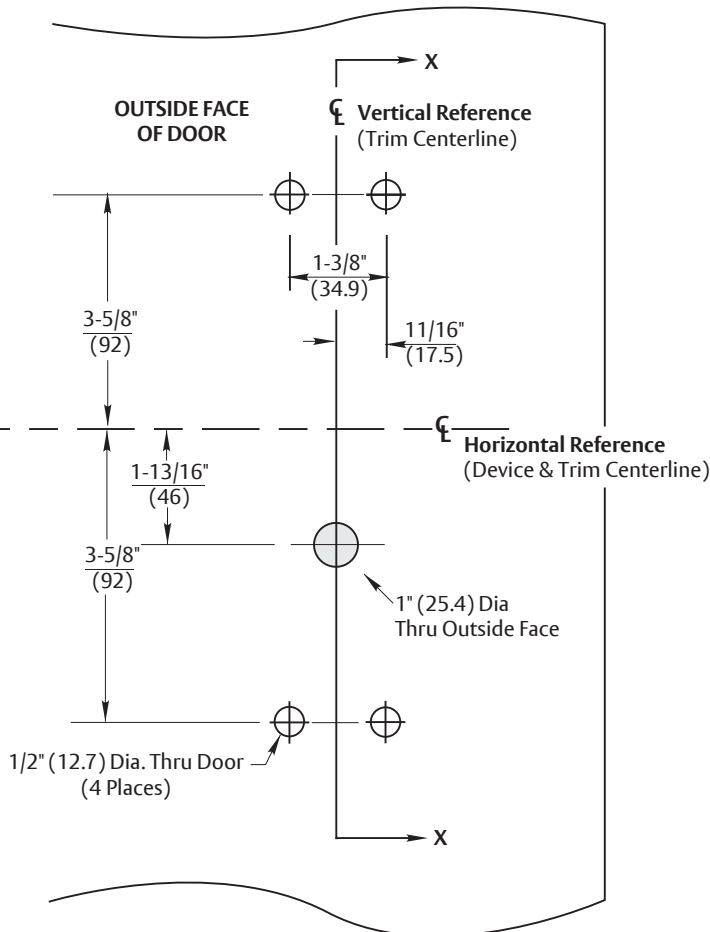
1. This template is an addition to the device template. Locate centerlines using horizontal and vertical references on device template.
2. Do not scale drawing.
3. Dimensions are in inches (mm).
4. LHR door shown. Preparation is typical for both door hands.
5. Shaded area represents mortise lock cavity from device template.
6. Prepare mounting holes when installing trim.
7. Provide adequate structural support to maintain door integrity during operation.



NOTE: Lever and knob prefix does not affect door prep.



Section X - X



RESPONSIBILITY
 DOOR AND FRAME MANUFACTURERS ARE RESPONSIBLE FOR PROVIDING ADEQUATE CONSTRUCTION OR REINFORCEMENTS FOR PROPER INSTALLATION OF HARDWARE SHOWN. ALL ARCHITECTURAL BUILDERS HARDWARE MUST BE INSTALLED ON PROPERLY REINFORCED DOORS AND FRAMES, REGARDLESS OF TYPE, MATERIAL, OR METHOD OF CONSTRUCTION.

654F and 658F Trim
With 6130(F) or 7130(F) Series
Mortise Exit Devices
Wood or Composite Door Preparation
Contact us for support at 1-800-438-1951.

ASSA ABLOY

SUPERSEDES	7400-1658 (05-15)	DO NOT SCALE DRAWING
TEMPLATE NUMBER	7400-1658	DATE 12-23