

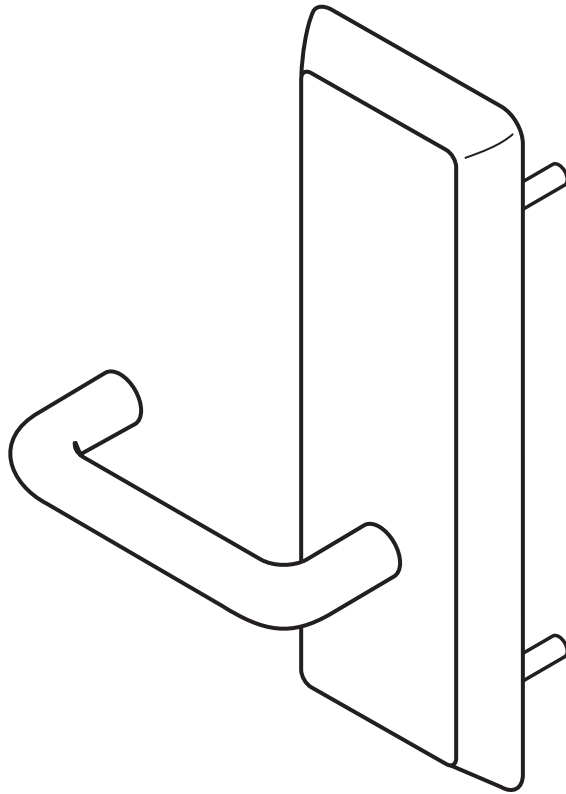
# 656F and 658F Mortise Exit Device Trim

# ACCENTRA

## Installation Instructions

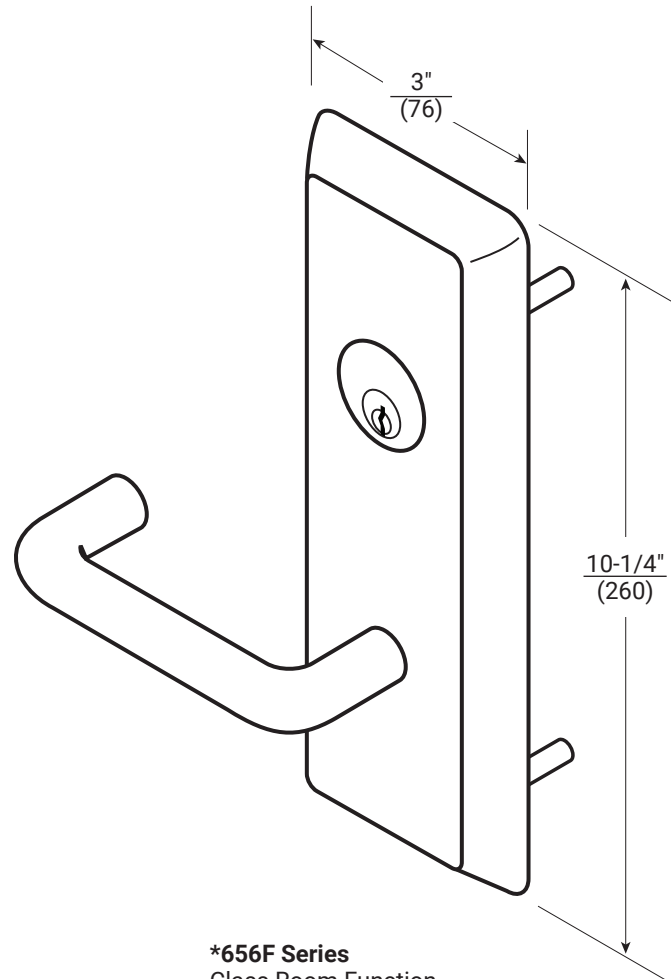
# ASSA ABLOY

For use with 7130 Series  
Exit Devices (Wood and Metal Doors)



**\*658F Series**  
Passage Function Trim  
Handed (RHR or LHR) Lever Always Active

**Dummy Trim**  
Handed (RHR or LHR) Rigid Lever



**\*656F Series**  
Class Room Function  
Handed (RHR or LHR)

**Nightlatch Function**  
Handed (RHR or LHR) Rigid Lever

\* Represents prefix letter(s) for various lever designs.

### **WARNING**

This product can expose you to lead which is known to the state of California to cause cancer and birth defects or other reproductive harm. For more information go to [www.P65warnings.ca.gov](http://www.P65warnings.ca.gov).

### **WARNING**

Attention Installer: Any retrofit or other field modification to a fire rated opening can potentially impact the fire rating of the opening, and ASSA ABLOY makes no representations or warranties concerning what such impact may be in any specific situation. When retrofitting any portion of an existing fire-rated opening, or specifying and installing a new fire-rated opening, please consult with a code specialist or local code official (Authority Having Jurisdiction) to ensure compliance with all applicable codes and ratings.

80-8470-0656-000 04/24

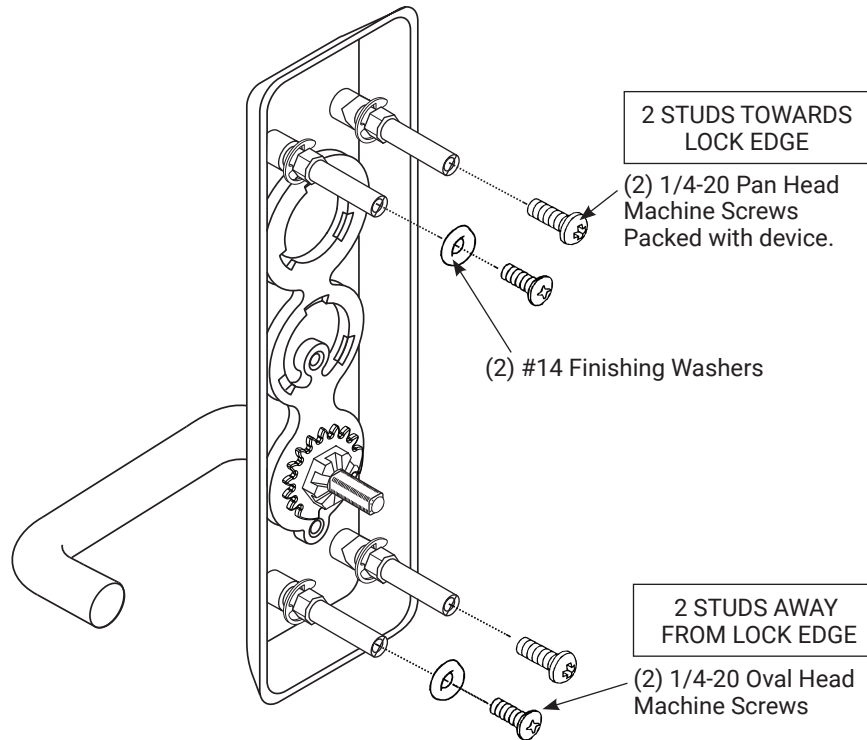
1-855-557-5078 Ext. 2 • [www.accentra-assaabloy.com](http://www.accentra-assaabloy.com)

Copyright © 2003, 2013, 2023, 2024, ASSA ABLOY ACCENTRA™ Access and Egress Hardware Group, Inc. All rights reserved. Reproduction in whole or in part without the express written permission of ASSA ABLOY Access and Egress Hardware Group, Inc. is prohibited.

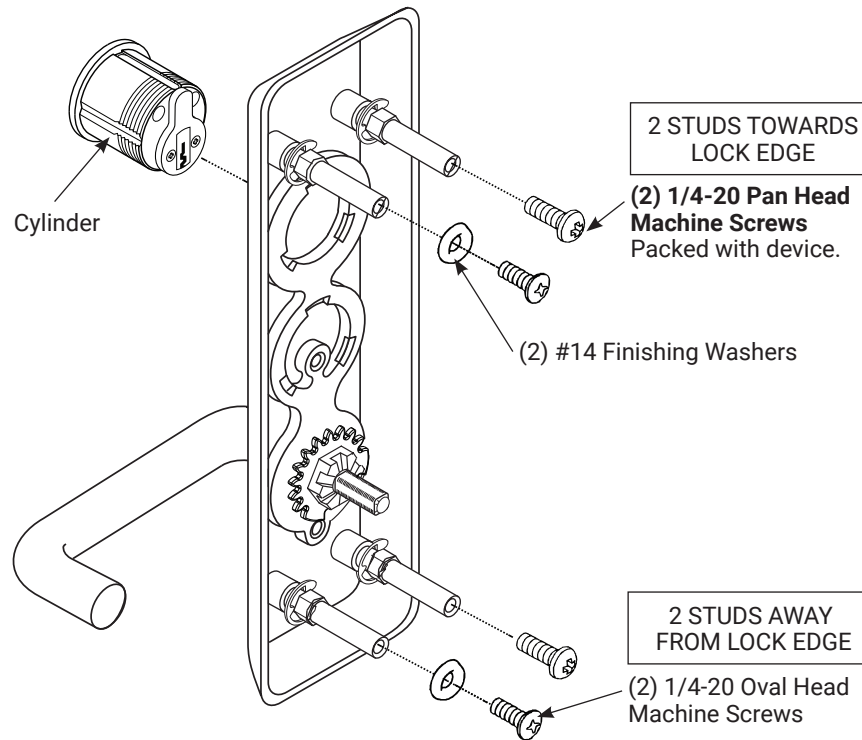
Experience a safer  
and more open world

### Trim Components

#### 658F Series



#### 656F Series



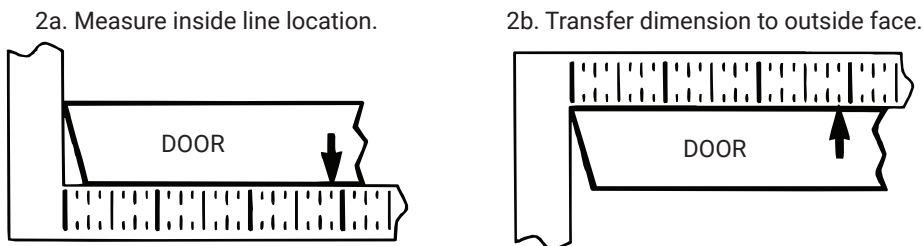
# 656F and 658F Mortise Exit Device Trim

## Installation Instructions

ACCENTRA

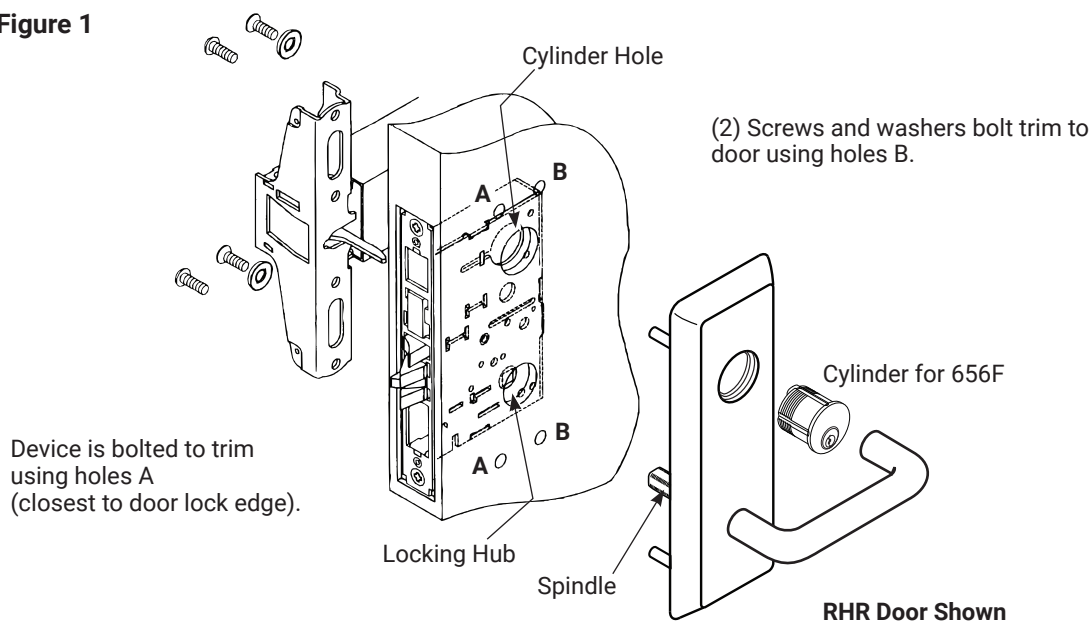
ASSA ABLOY

1. Check box for contents. See previous page for components.
2. After marking door inside face for device location (Device Instructions), transfer Vertical Reference Centerline from inside to outside door face. Follow steps 2a. and 2b. below.



3. Transfer Horizontal Reference Centerline from inside to outside door face.
4. Align trim template and tape to outside door face.  
**Caution:** Office copiers and facsimile machines may change the size of a drawing and make the template inaccurate to use as a door marker. If this is not the original template packed with the trim, use only the dimensions written on the template to locate the holes on the door (do not use the template as a door marker).
5. Spot holes and prepare door for trim.
6. **For 658F Passage Function:**  
Be sure mortise lock is **unlocked** before installing trim.  
**For 658F Dummy Trim:**  
Be sure mortise lock is locked before installing trim. To change to locked or unlocked mode, reach into cylinder hole of mortise lock with finger or screwdriver and move lever until it clicks into locked or unlocked position.
7. Rotate lever of trim for proper handing and engage spindle into mortise locking hub. Mount trim to door thru holes B. Fasten, finger tight only, with 2 screws and washers seating on door as shown in **Figure 1**.
8. **For 656F Functions:**  
Thread cylinder into mortise lock until seated within escutcheon recess with keyway positioned vertically and with plug in lower cylinder as shown in **Figure 1**. Tighten cylinder locking screw thru mortise lock front.
9. Continue as shown in device instructions.

**Figure 1**



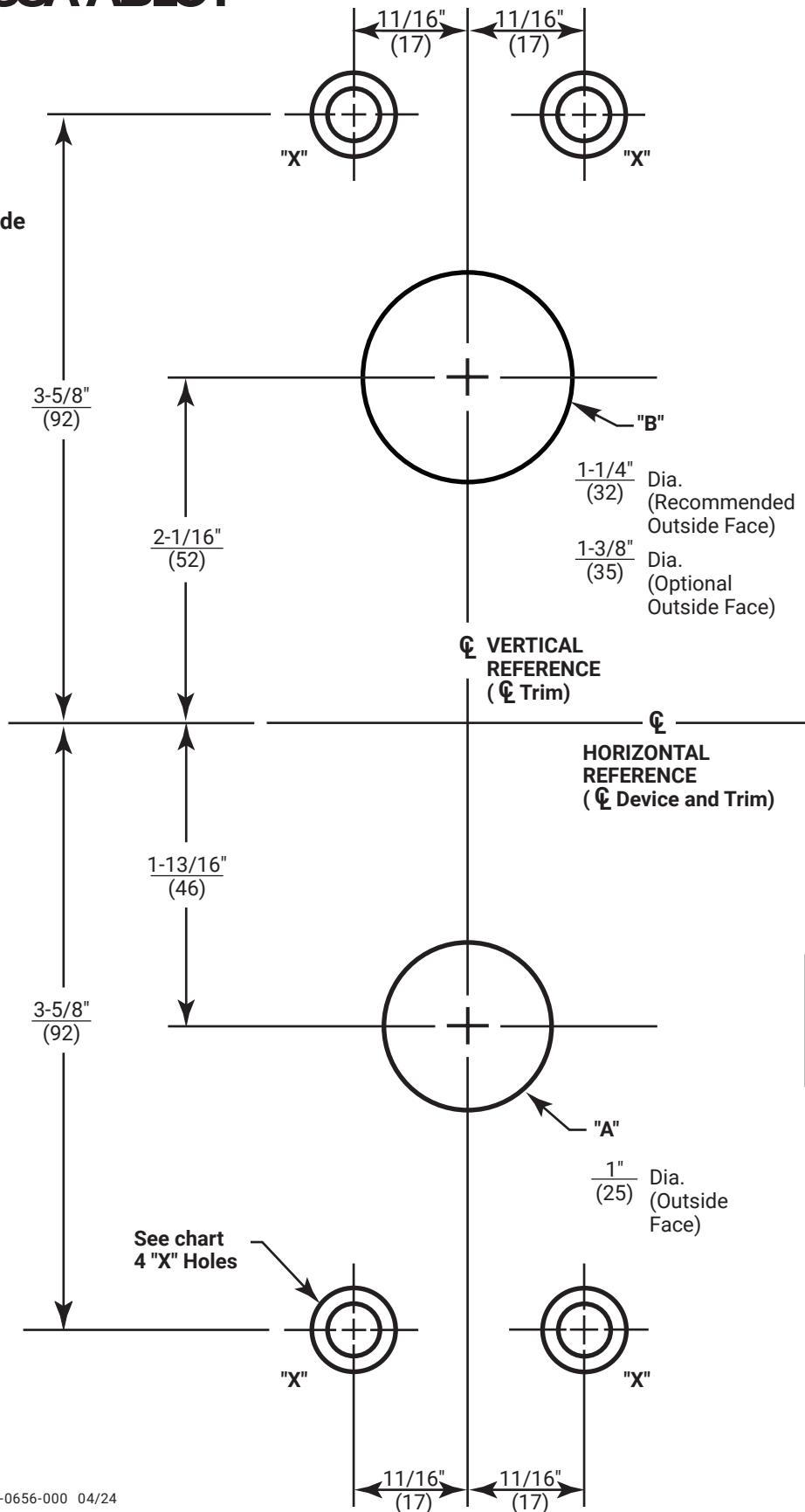
80-8470-0656-000 04/24

1-855-557-5078 Ext. 2 • www.accentra-assaabloy.com

Copyright © 2003, 2013, 2023, 2024, ASSA ABLOY ACCENTRA™ Access and Egress Hardware Group, Inc. All rights reserved. Reproduction in whole or in part without the express written permission of ASSA ABLOY Access and Egress Hardware Group, Inc. is prohibited.

Experience a safer  
and more open world

Outside  
Door  
Face



### Trim Template

Holes Marked "X" (4 Places)	
Metal Doors:	
Inside Face	5/16" (8) Dia.
Outside Face	1/2" (13) Dia.
Wood Doors:	1/2" (13) Dia. Thru

Dimensions given in  $\frac{\text{Inches}}{\text{(mm)}}$

Trim	Holes
658F	A
656F	A, B

**⚠ Caution:** Office copiers and facsimile machines may change the size of a drawing and make the template inaccurate to use as a door marker. If this is not the original template packed with the trim, use only the dimensions written on the template to locate the holes on the door (do not use the template as a door marker).

# 656F and 658F Mortise Exit Device Trim

## Installation Instructions





# 656F and 658F Mortise Exit Device Trim

## Installation Instructions

**ACCENTRA**

---

**ASSA ABLOY**

