

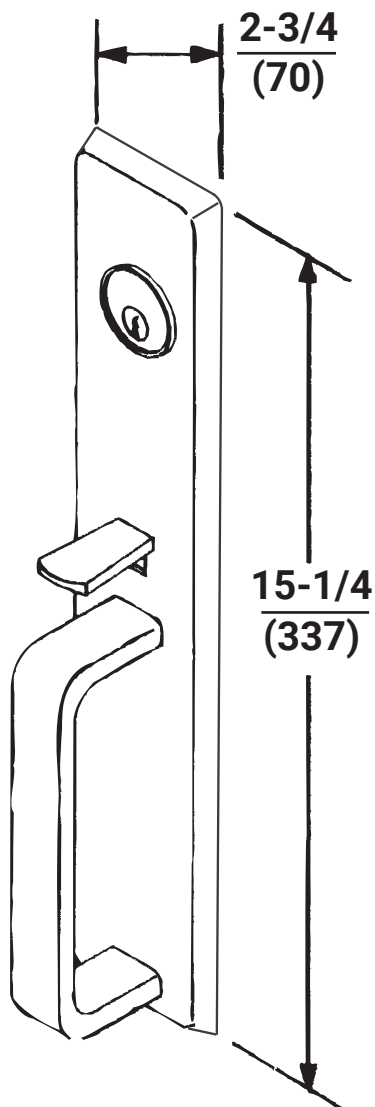
673F & 675F

Exit Device Mortise Trim

Installation Instructions

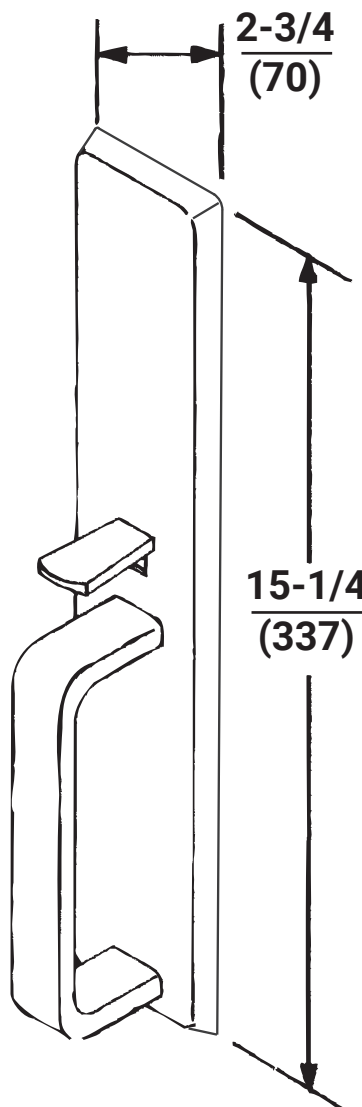
ACCENTRA
ASSA ABLOY

673F Trim



F05 Function:
Key locks/unlocks
thumbpiece.

675F Trim



Passage Function:
Thumbpiece always
active.

⚠ WARNING

This product can expose you to lead which is known to the state of California to cause cancer and birth defects or other reproductive harm. For more information go to www.P65warnings.ca.gov.

⚠ WARNING

Attention Installer: Any retrofit or other field modification to a fire rated opening can potentially impact the fire rating of the opening, and ASSA ABLOY makes no representations or warranties concerning what such impact may be in any specific situation. When retrofitting any portion of an existing fire-rated opening, or specifying and installing a new fire-rated opening, please consult with a code specialist or local code official (Authority Having Jurisdiction) to ensure compliance with all applicable codes and ratings.

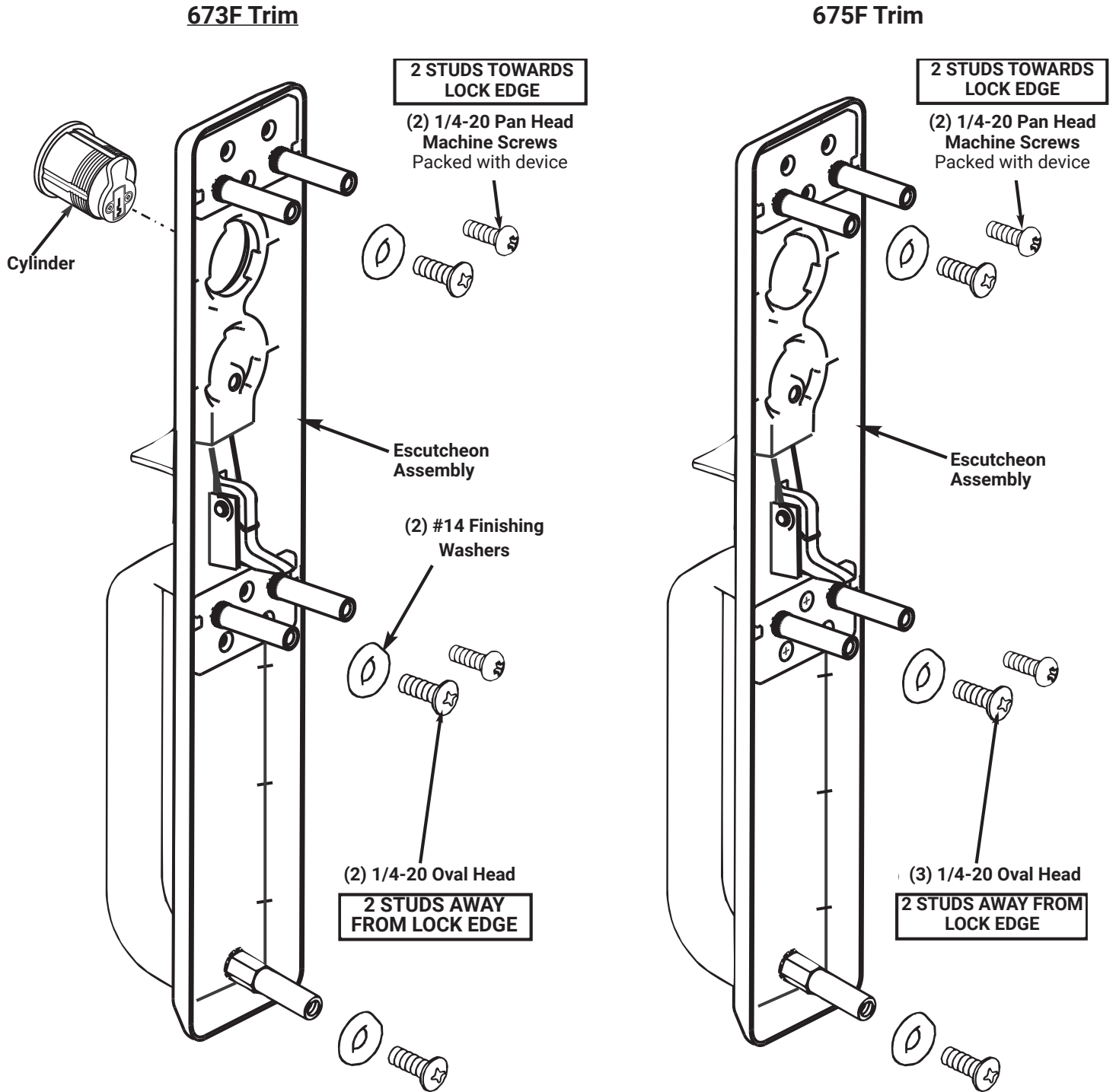
1-855-557-5078 Ext. 2 • www.accentra-assaabloy.com

Copyright © 2005, 2013, 2023, 2024, ASSA ABLOY ACCENTRA™ Access and Egress Hardware Group, Inc. All rights reserved.
Reproduction in whole or in part without the express written permission of ASSA ABLOY Access and Egress Hardware Group, Inc. is prohibited.

80-8470-0673-000 04/24

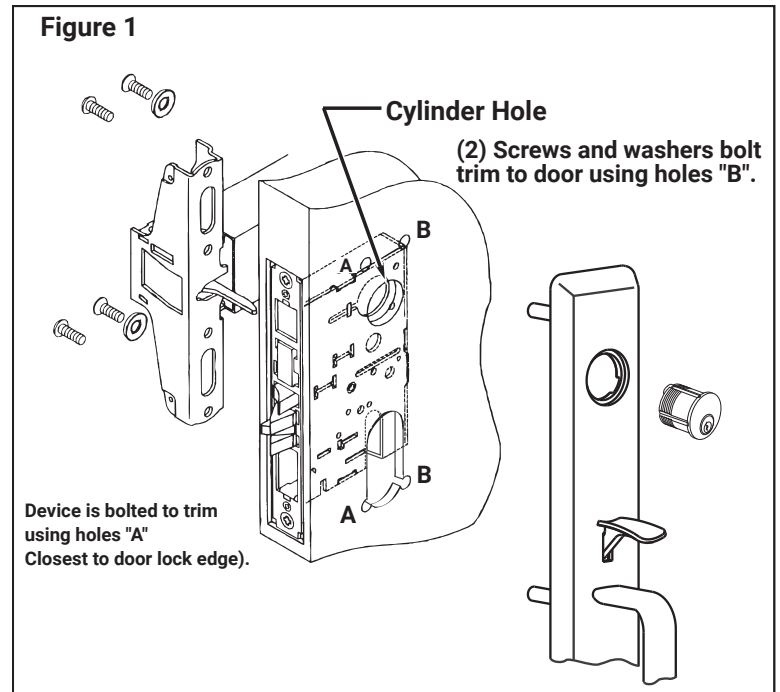
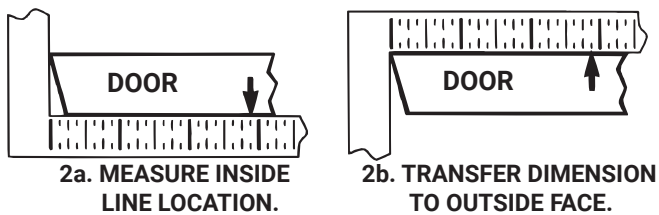
Experience a safer
and more open world

1. Parts



2. Installation

1. Check box for components.
2. After marking door inside face for device location (Device Instructions), carry "Vertical Reference Centerline" from inside door face. Follow steps 2a. and 2b., shown below.
3. Transfer Horizontal Reference Centerline from inside to outside door face.
4. Align trim template and tape to outside door face.
5. Spot holes and prepare door for trim
6. Mount trim to door thru holes "A" with (2) mounting screws as shown in Fig. 1. Use the remaining (3) oval headed screws and finish washers to secure the trim to the door surface thru location "B" as shown in Fig. 1, the third screw and washer attaches to the hole located at the bottom of the trim.
7. Thread cylinder into mortise lock until seated within escutcheon recess with keyway positioned vertically and with plug in lower cylinder as shown in Figure 1.
8. Continue as shown in device instructions.



673F & 675F Trim Template

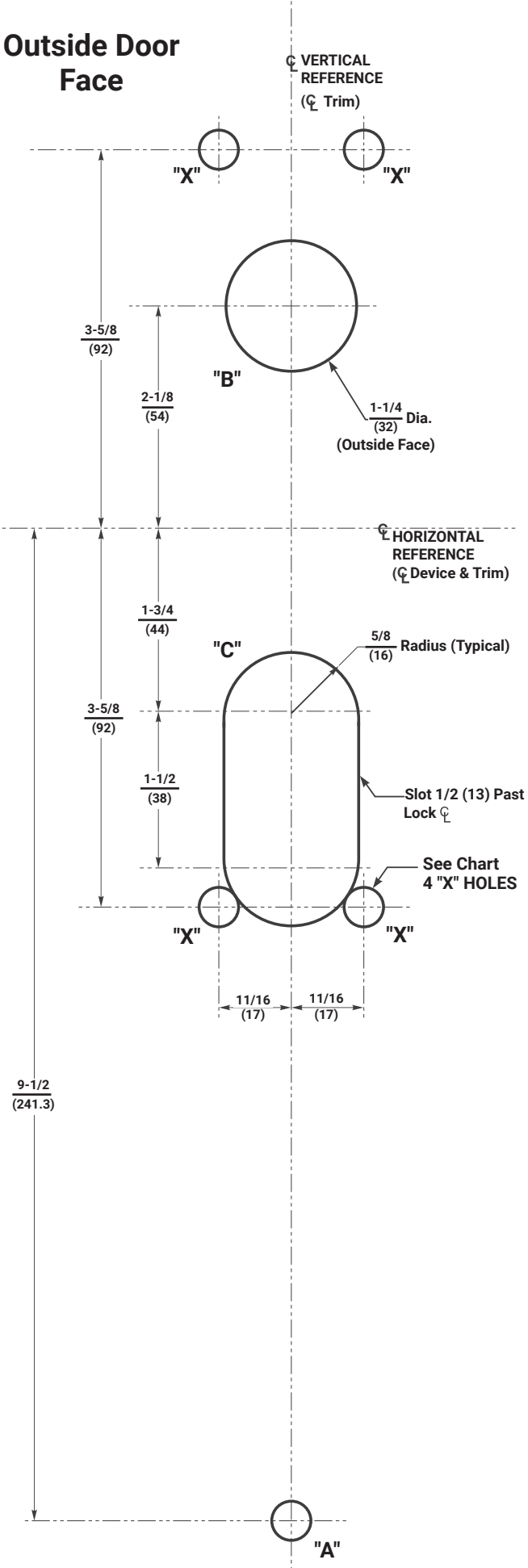
| HOLES MARKED "A" & "X" | |
|------------------------|---------------------|
| METAL DOORS: | |
| Inside Face | 5/16" (8) Dia. |
| Outside Face | 1/2" (13) Dia. |
| WOOD DOORS: | |
| | 1/2" (13) Dia. Thru |

Dimensions given in $\frac{\text{Inches}}{\text{(mm)}}$

| TRIM | HOLES |
|------|--------------|
| 673F | A, B, C, & X |
| 675F | A, C, & X |

CAUTION: Office copiers and facsimile machines may change the size of a drawing and make the template inaccurate to use as a door marker. If this is not the original template packed with the trim, use only the holes on the door (do not use template as a door marker).

Outside Door Face



CUT LINE

