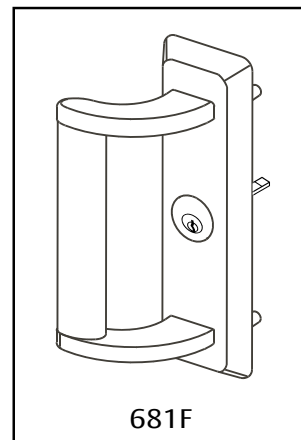
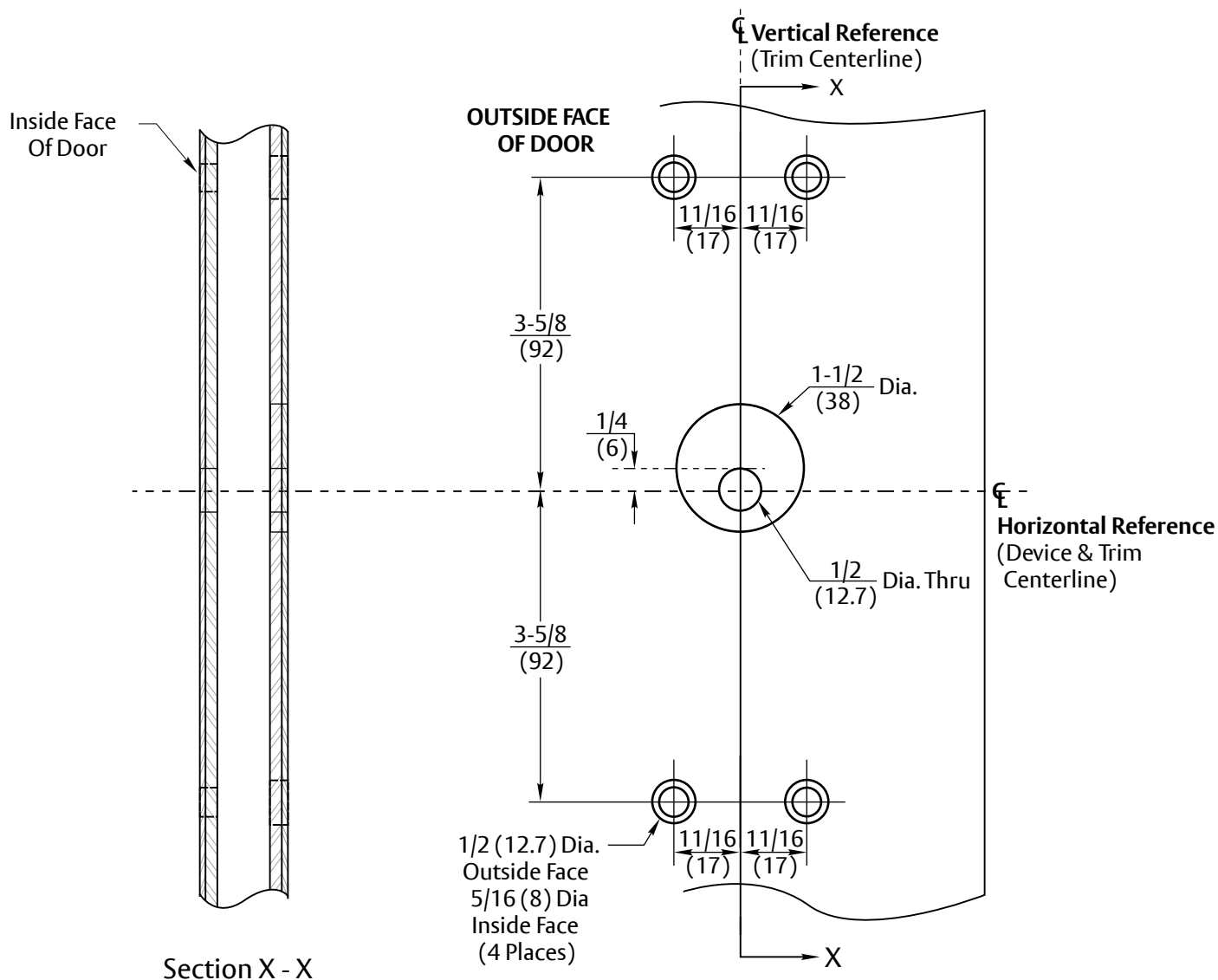


NOTES:

1. This template is an addition to the device template. Locate centerlines using horizontal and vertical references on device template.
2. Do not scale drawing.
3. Dimensions are in inches (mm).
4. LHR door shown. Preparation is typical for both door hands.
5. Provide adequate structural support to maintain door integrity during operation.
6. Prepare mounting holes when installing trim.
7. Dimensions given about a centerline are symmetrical.



Note: Lever and knob prefix does not affect door prep.



RESPONSIBILITY
 DOOR AND FRAME MANUFACTURERS ARE RESPONSIBLE FOR PROVIDING ADEQUATE CONSTRUCTION OR REINFORCEMENTS FOR PROPER INSTALLATION OF HARDWARE SHOWN. ALL ARCHITECTURAL BUILDERS HARDWARE MUST BE INSTALLED ON PROPERLY REINFORCED DOORS AND FRAMES, REGARDLESS OF TYPE, MATERIAL, OR METHOD OF CONSTRUCTION.

681F Trim
Metal Door Preparation
 For use with 1500(F), 2100(F) or 7100(F) Series Rim and Mortise Exit Devices (Not Recommended for Vertical Rod)
Contact us for support at 1-855-557-5078.

ASSA ABLOY

SUPERSEDES	11/06	DO NOT SCALE DRAWING
TEMPLATE NUMBER	7400-0681	DATE
		12-23