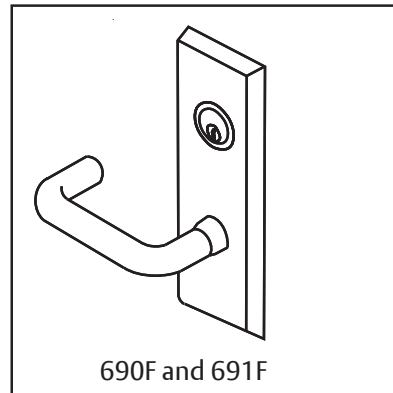


**NOTES**

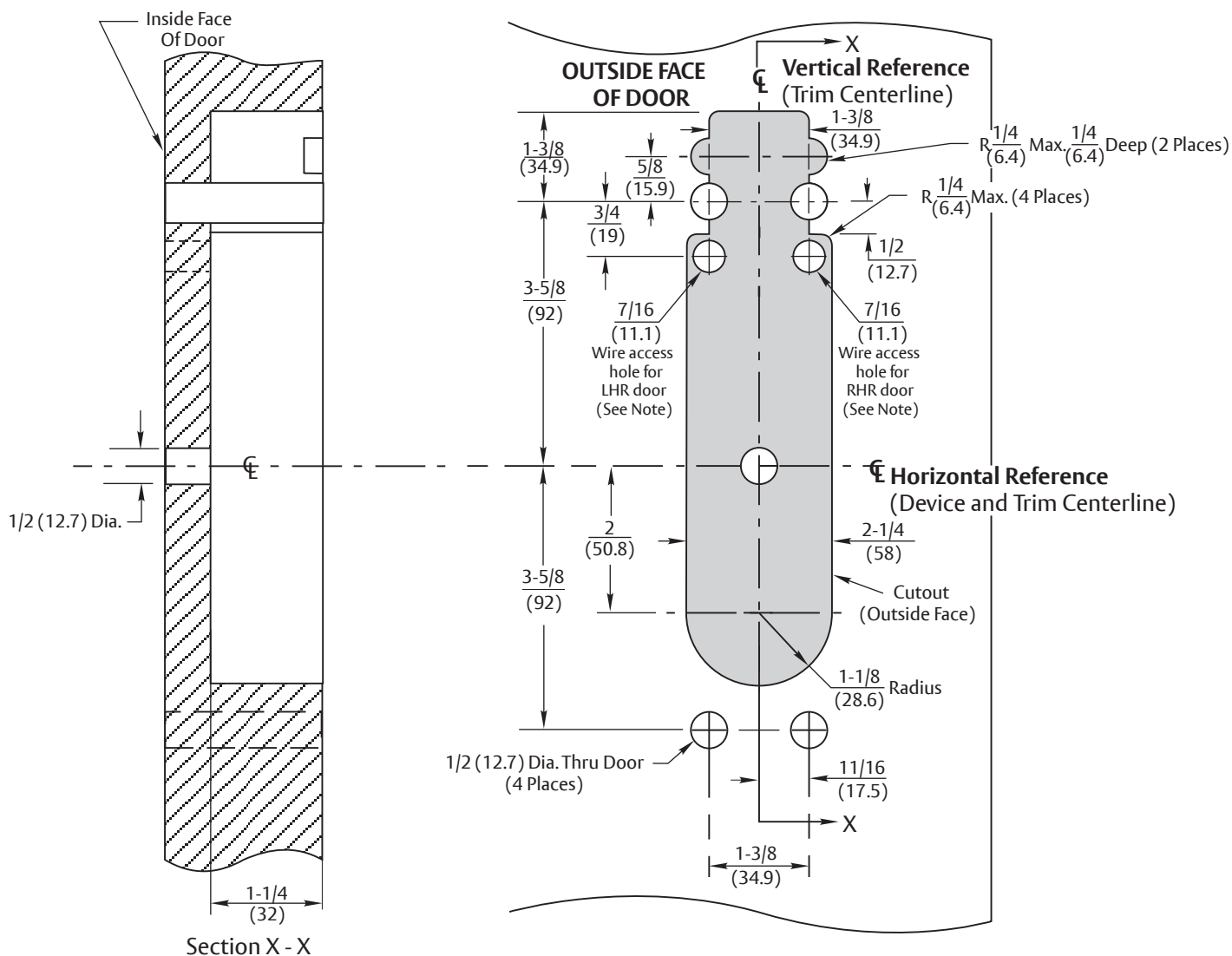
1. This template is an addition to the device template. Locate centerlines using horizontal and vertical references on device template.
2. Do not scale drawing.
3. Dimensions are in inches (mm).
4. LHR door shown. Preparation is typical for both door hands.
5. Provide adequate structural support to maintain door integrity during operation.
6. Prepare mounting holes when installing trim.
7. Dimensions given about a centerline are symmetrical.
8. Unspecified radius 1/8 maximum.

**NOTE:** For 7000 Series, wire access hole must be prepared if a wire raceway in the door is not provided (device will be used as raceway). For 2100(F) and 6000(F) series, wire raceway **MUST BE** provided in the door. Do not prepare wire access hole.



690F and 691F

Note: Lever design prefix does not affect door prep.



<p><b>RESPONSIBILITY</b> DOOR AND FRAME MANUFACTURERS ARE RESPONSIBLE FOR PROVIDING ADEQUATE CONSTRUCTION OR REINFORCEMENTS FOR PROPER INSTALLATION OF HARDWARE SHOWN. ALL ARCHITECTURAL BUILDERS HARDWARE MUST BE INSTALLED ON PROPERLY REINFORCED DOORS AND FRAMES, REGARDLESS OF TYPE, MATERIAL, OR METHOD OF CONSTRUCTION.</p>	<p><b>690F, 691F (Electric Trim)</b> 7000(F) Series, 6000(F) Series &amp; 2100(F) Series SquareBolt®, Rim and Surface Vertical Rod Exit Devices Wood or Composite Door Preparation <b>Contact us for support at 1-800-438-1951.</b></p>	<p><b>ASSA ABLOY</b></p> <table border="1"> <tr> <td>SUPSEDES</td> <td>7400-1690-05-18</td> <td>DO NOT SCALE DRAWING</td> </tr> <tr> <td>TEMPLATE NUMBER</td> <td>7400-1690</td> <td>DATE 11-23</td> </tr> </table>	SUPSEDES	7400-1690-05-18	DO NOT SCALE DRAWING	TEMPLATE NUMBER	7400-1690	DATE 11-23
SUPSEDES	7400-1690-05-18	DO NOT SCALE DRAWING						
TEMPLATE NUMBER	7400-1690	DATE 11-23						