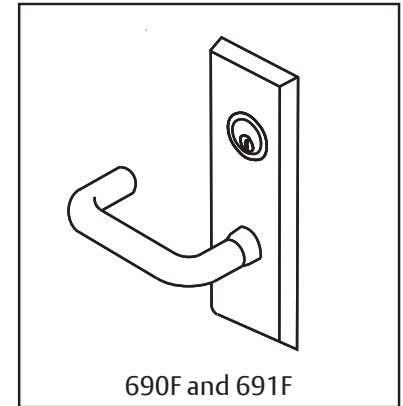


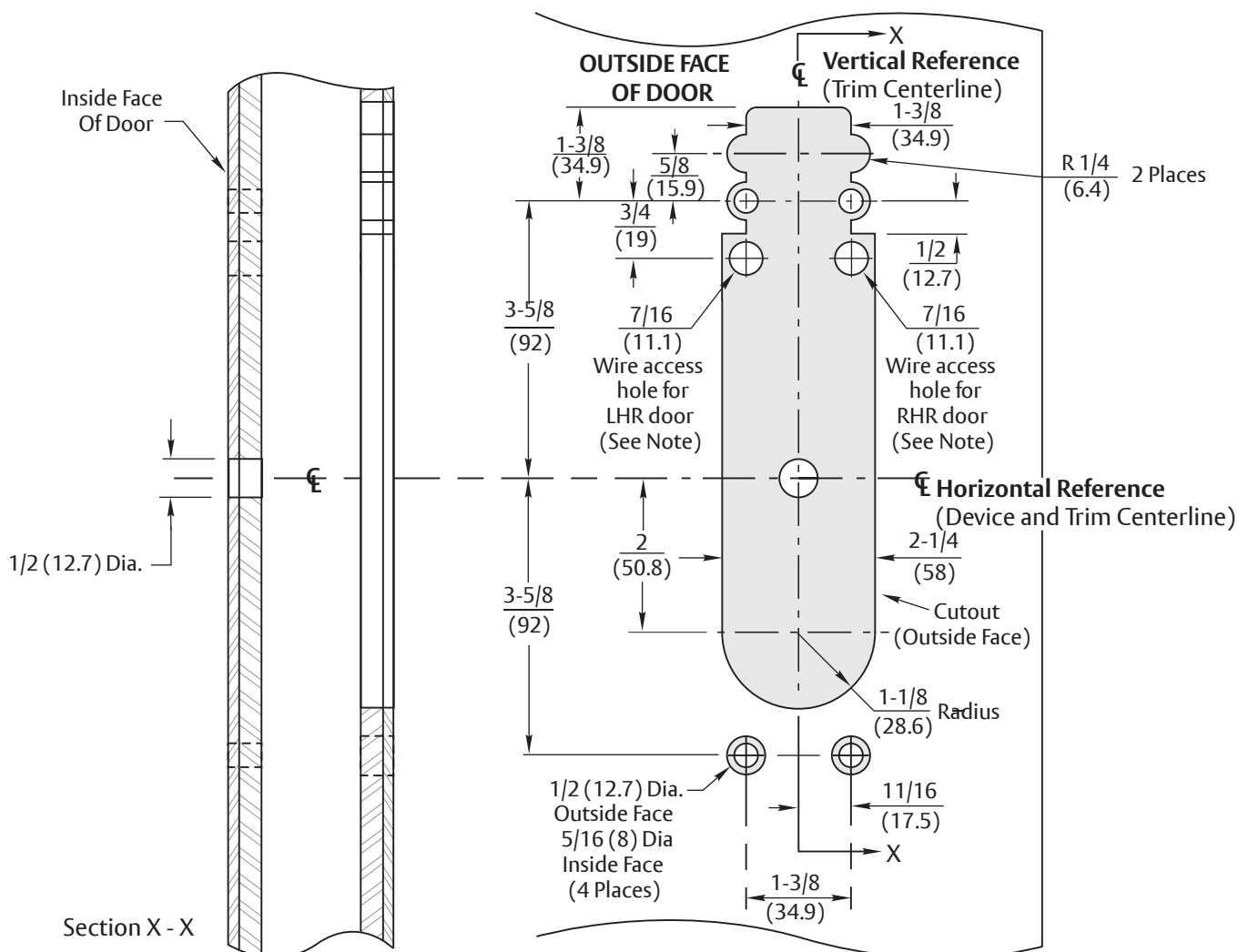
NOTES

1. This template is an addition to the device template. Locate centerlines using horizontal and vertical references on device template.
2. Do not scale drawing.
3. Dimensions are in inches (mm).
4. LHR door shown. Preparation is typical for both door hands.
5. For door reinforcement see template 7400-0000.
6. Prepare mounting holes when installing trim.
7. Provide adequate internal support to prevent door deformation after trim is bolted to the device.
8. Dimensions given about a centerline are symmetrical.
9. Unspecified radius 1/8 maximum.

NOTE: For 7000 Series, wire access hole must be prepared if a wire raceway in the door is not provided (device will be used as raceway). For 2100(F) and 6000(F) series, wire raceway **MUST BE** provided in the door. Do not prepare wire access hole.



Note: Lever design prefix does not affect door prep.



RESPONSIBILITY
 DOOR AND FRAME MANUFACTURERS ARE RESPONSIBLE FOR PROVIDING ADEQUATE CONSTRUCTION OR REINFORCEMENTS FOR PROPER INSTALLATION OF HARDWARE SHOWN. ALL ARCHITECTURAL BUILDERS HARDWARE MUST BE INSTALLED ON PROPERLY REINFORCED DOORS AND FRAMES, REGARDLESS OF TYPE, MATERIAL, OR METHOD OF CONSTRUCTION.

690F, 691F (Electric Trim)
 7100(F) Series, 6000(F) Series & 2100(F) Series
 SquareBolt®, Rim and Surface Vertical Rod Exit Devices
 Metal Door Preparation
Contact us for support at 1-855-557-5078.

ASSA ABLOY

SUPERSEDES	15/18	DO NOT SCALE DRAWING
TEMPLATE NUMBER	7400-0690	DATE 12-23