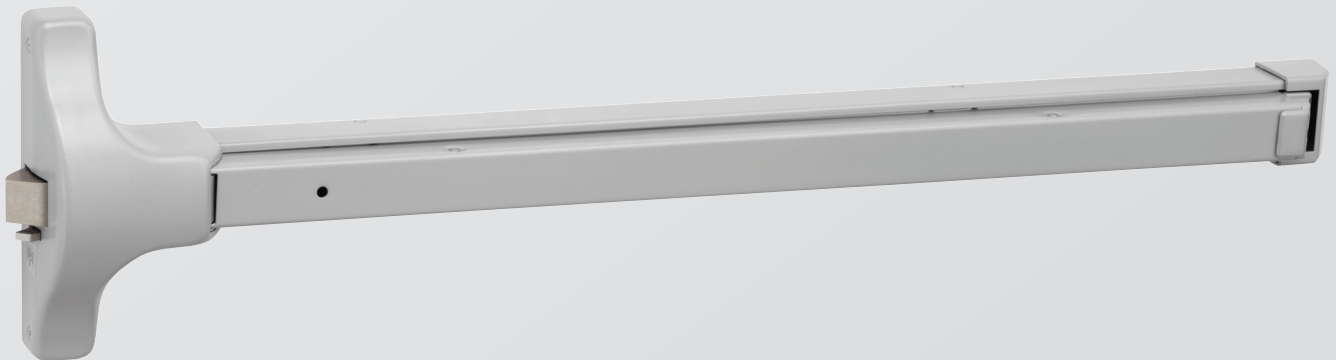


ACCENTRA
ASSA ABLOY

2100 Series

Economy Exit Devices
Parts Manual



Experience a safer
and more open world

 **WARNING**

This product can expose you to lead which is known to the state of California to cause cancer and birth defects or other reproductive harm. For more information go to www.P65warnings.ca.gov.

Table of Contents


Finish Chart	2
Installation Notes	3
How to Order Parts	3
Handing	3
Exit Devices	
2100/2100F Rim Exit Device	4
2100 Bar Assembly	5
2110/2110F Surface Vertical Rod Exit Device	6-7
Trim	
213F, 214F, 217F Trim	8
Levers and Knobs	9
Lever/Rose Assemblies	10-15
Cylinders	16
Strikes	17
Accessories	18
Mullion Parts	19
Handing Instructions	20-21
Troubleshooting	22

Finish Chart

ANSI Code	Finish Description
612*	Satin bronze, clear coated
613*	Dark oxidized satin bronze, oil rubbed
626*	Satin chrome plated
630	Satin stainless steel
689	Aluminum painted
691	Light bronze painted
695	Dark bronze painted

*Trim finish option only.

Installation Notes

1. Only fire-rated components can be used on fire-rated exit devices. Doing otherwise will void any type of product warranty, labeling and listing. Any component bearing the UL mark for fire rating cannot be supplied separately and maintain its rating without re-certification. Reference items with  symbol.
2. Refer to the templates and installation instructions for complete door preparation and installation requirements.
3. Machine screws are provided for steel reinforced doors, threaded-to-the-head AB Type screws are provided for wood door applications. In addition, sex nuts and bolts are provided for fire-rated devices and are optional for non-rated devices. It is recommended that sex nuts and bolts be used for all exit device applications. This will improve the performance and extend the life of the product.

How to Order Parts

1. In order to simplify the ordering procedure and maintain regulatory compliance, parts are only available as listed.
2. To order parts, provide the appropriate quantity, part number, finish, hand (when required) and description as directed and illustrated below.

For example, use the following configuration to order:

- A) ten mullion stabilizer kits (page 19) to match 600 application (primed for painting)
- B) one surface vertical rod latch cover (page 6) in bright brass

	Quantity	Part Number	Finish	Hand	Description
A	10	81-9500-1417-FIN	600	---	Stabilizer Kit
B	1	60-7010-X040-FIN	605	---	Top Latch Cover

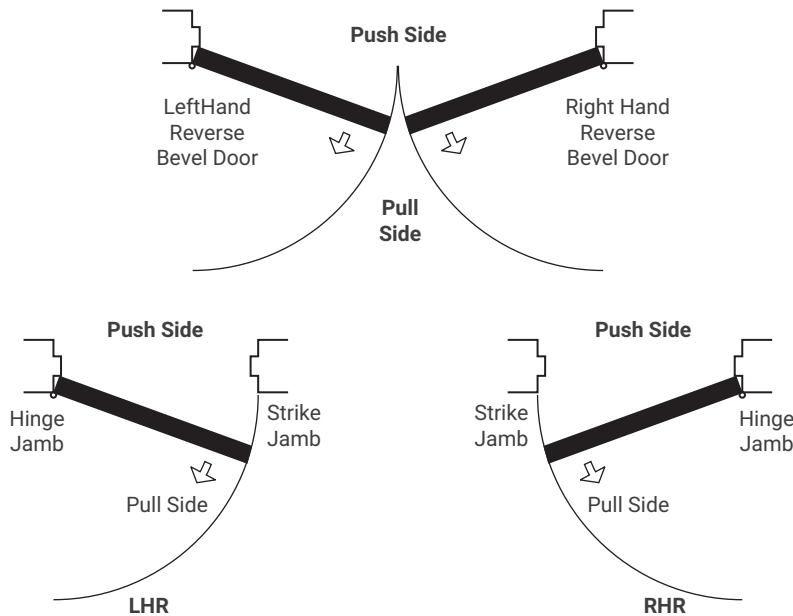
For assistance, contact your authorized ACCENTRA™ distributor or sales agency, or visit our website at www.accentra-assaabloy.com.

Handing

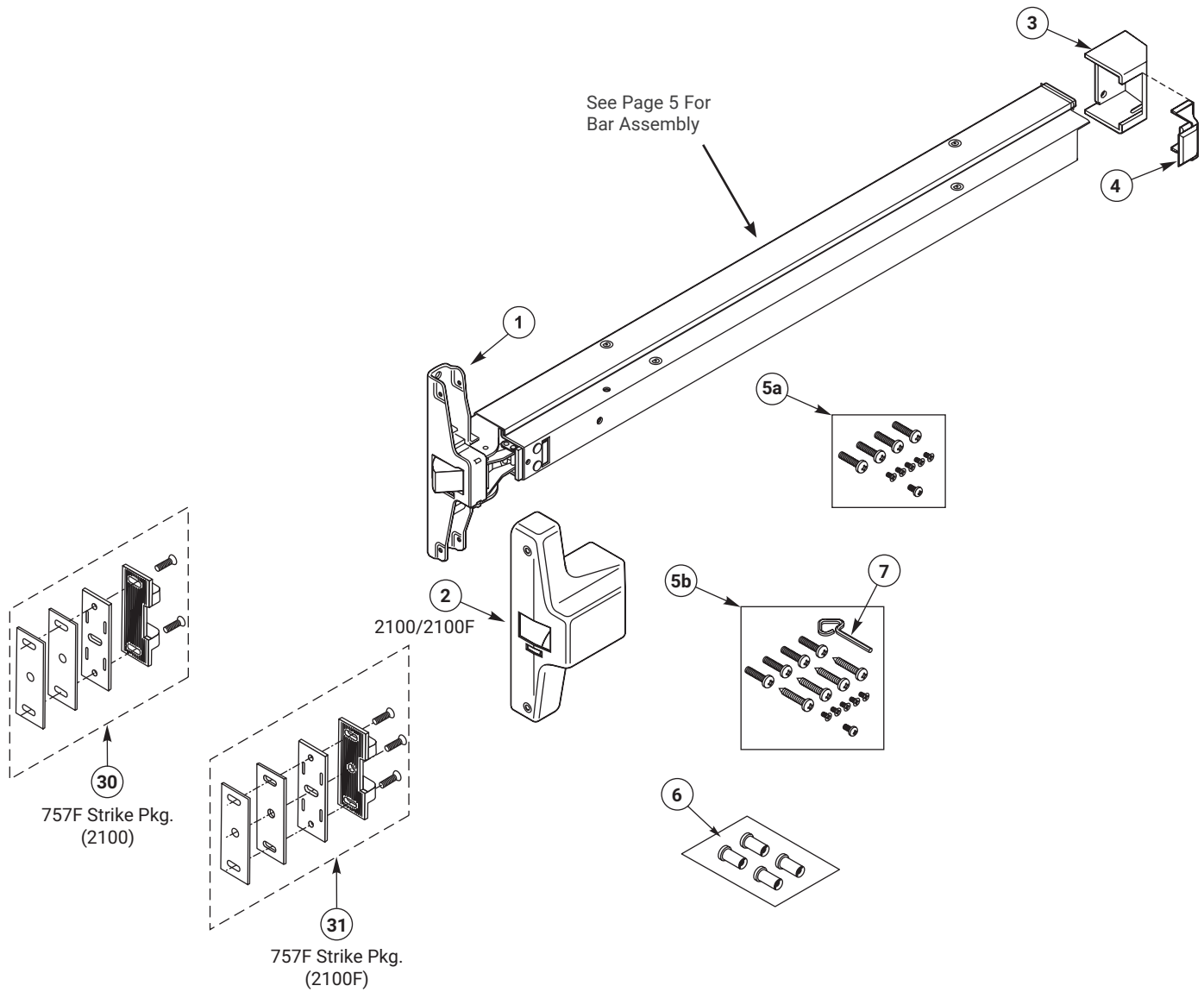
Left Hand Reverse: Hinges on left, opens outward. For handed devices, specify LHR.

Right Hand Reverse: Hinges on right, opens outward. For handed devices, specify RHR.

Note: Doors with Panic-Exit and Fire Exit hardware must open out. Therefore, hands must be reverse bevel.



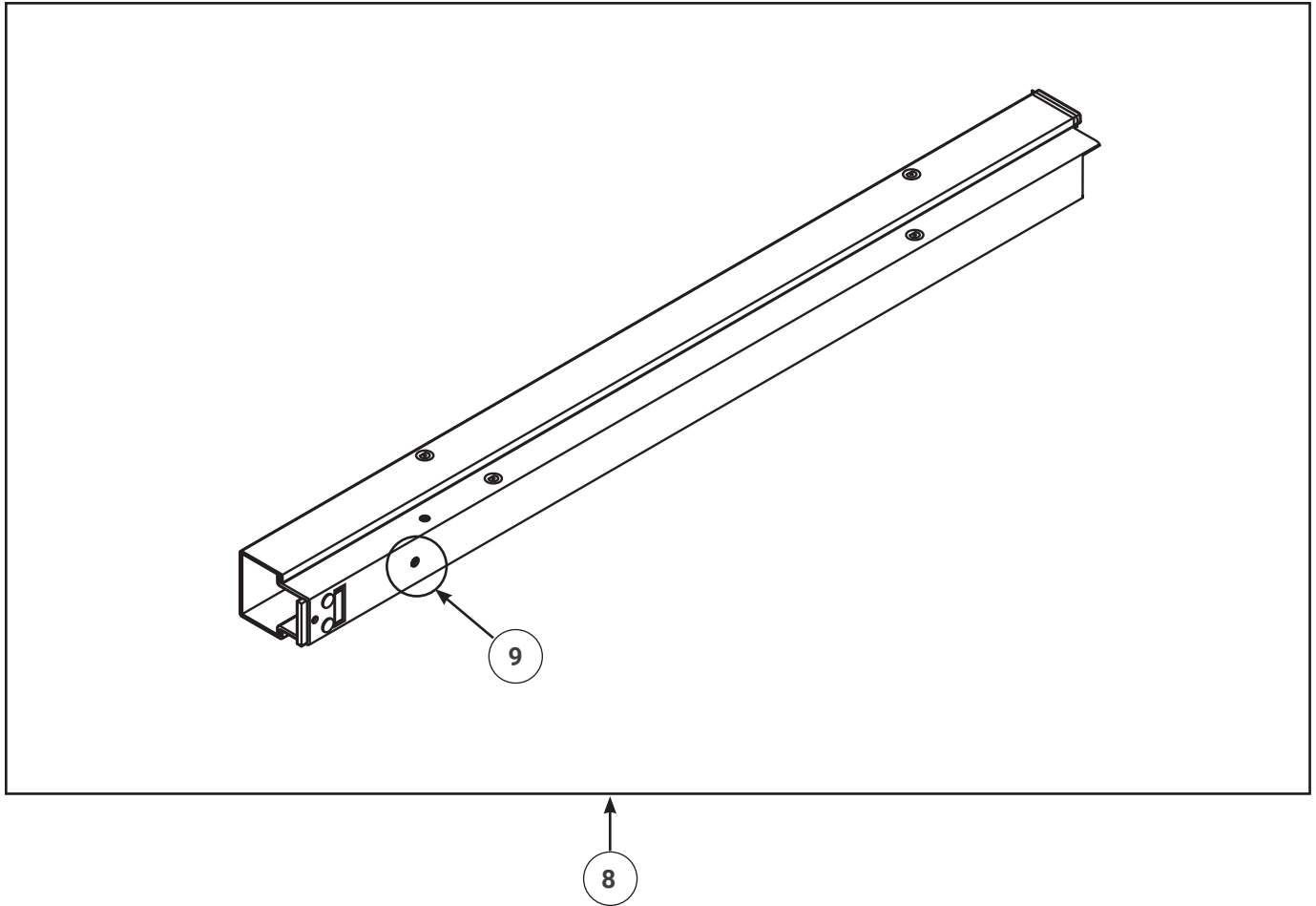
2100/2100F Rim Exit Device



ITEM	PART NO.	DESCRIPTION
1	60-2100-0010-048 60-2100-0011-048	Latch Assembly 2100 2100F
2	60-2100-6003-FIN	Cover 2100
3	60-2000-6179-FIN	Bottom End Cap
4	60-2000-6178-FIN	Top End Cap

ITEM	PART NO.	DESCRIPTION
5a	81-9500-1376-059	Mtg. Screw Pack (2100F)
5b	81-9500-1395-059	Mtg. Screw Pack (2100)
6	03-0080-5047-FIN	Sex Nut Pack (4) (2 Packs) Fire Rated Only
7	60-7000-1131-036	Dogging Key
30	81-9500-1356-200	757 Strike Packet (2100)
31	81-9500-1373-200	757F Strike Packet (2100F)

2100 Bar Assembly



ITEM	PART NO.	DESCRIPTION
8	60-2100-0014-FIN	Dogging Bar Assembly, 36"
8	60-2100-0015-FIN	Dogging Bar Assembly, 42"
8	60-2100-0088-FIN	Dogging Bar Assembly, 48"
8	60-2100-0008-FIN	Fire Rated Bar Assembly, 36"
8	60-2100-0009-FIN	Fire Rated Bar Assembly, 42"
8	60-2100-0087-FIN	Fire Rated Bar Assembly, 48"

ITEM	PART NO.	DESCRIPTION
9	81-9500-1399-048	Dogging Kit (Consists of the following)
	60-2100-1001-999	Dogging Drive
	99-9999-7330-036	Wavy Washer
	60-2100-1007-048	Bushing
	81-3815-0412-036	Screw, Thread Forming Swage-Form/Trilobular or Equivalent Phillips Truss Head Machine 8-32 x 1/2"

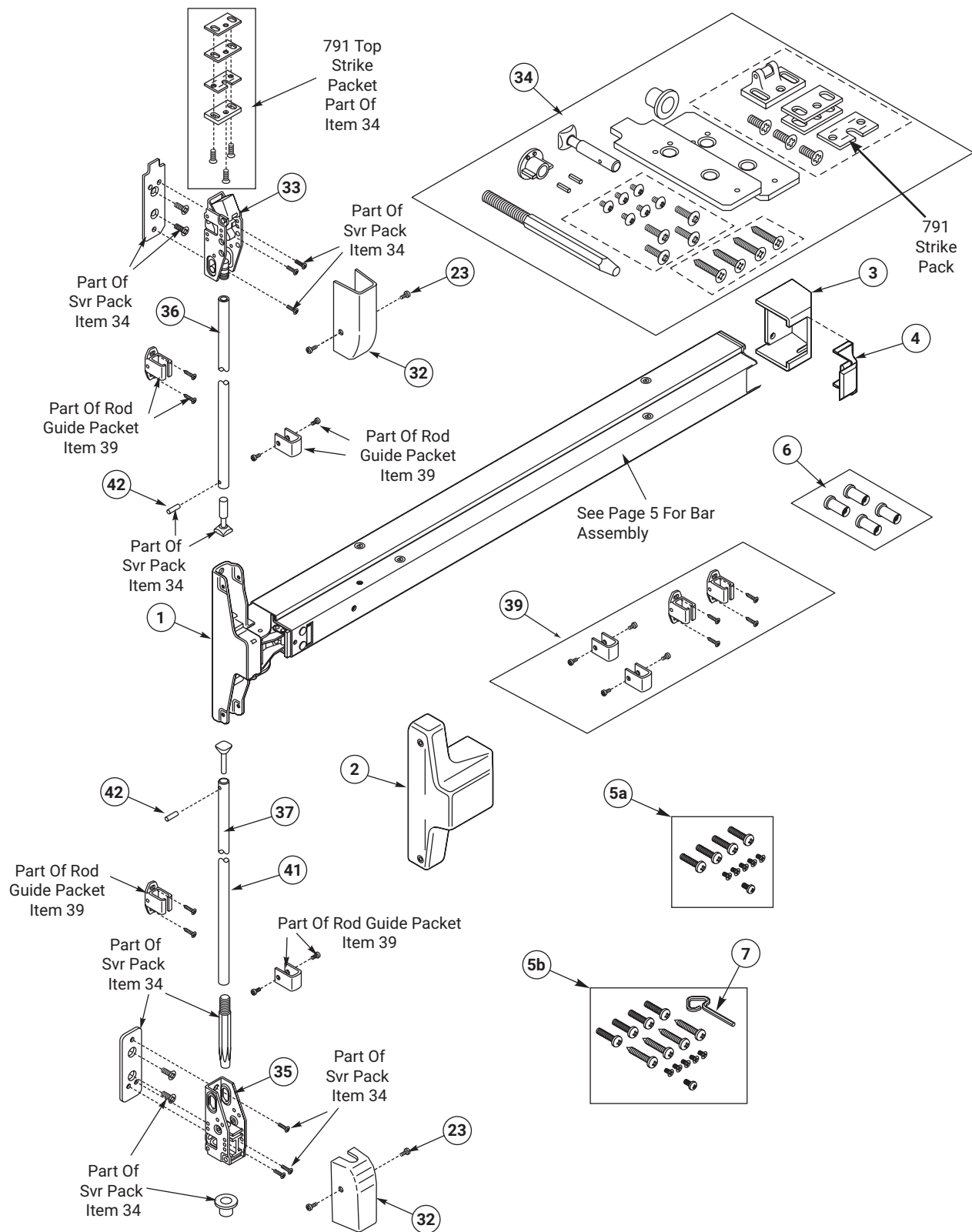
2110/2110F Surface Vertical Rod

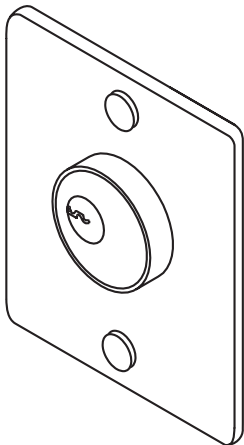


ITEM	PART NO.	DESCRIPTION
1	60-2110-0002-048	Latch Assembly 2110, 2110F (Must Specify Hand)
2	60-2110-6004-FIN	Cover 2110
3	60-2000-6179-FIN	Bottom End Cap
4	60-2000-6178-FIN	Top End Cap
5a	81-9500-1376-059	Mtg. Screw Pack (2110F)
5b	81-9500-1395-059	Mtg. Screw Pack (2110)
6	03-0080-5047-FIN	Sex Nut Pack (4) (2 packs) Fire Rated Only
7	60-7000-1131-036	Dogging Key
23	81-9500-1549-FIN	Screw Packet, Cover #8-32 x 5/16" UFPHMS (4)
32	60-2010-X040-FIN	Cover, Top & Bottom Latch
33	60-7010-0049-999 60-7010-0050-999	Top Latch 2110 2110F

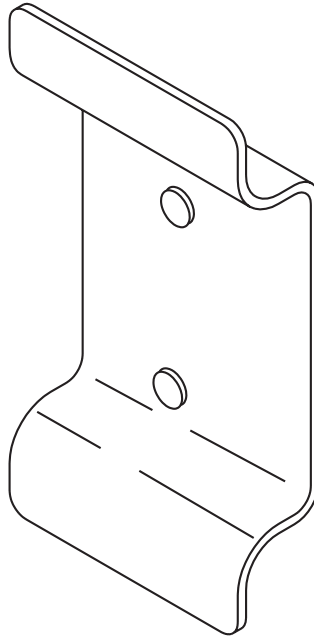
ITEM	PART NO.	DESCRIPTION
34	81-9500-1512-000	SVR Pack Consists of the following:
	60-7010-1038-048	Top Mtg. Plate
	60-7010-1039-048	Bottom Mtg. Plate
	60-7010-1067-048	Top Rod Connector
	99-9999-4308-999	Spring Pin (2)
	60-1500-6150-999	Drill Jig
	60-7010-1046-059	Floor Bolt
	60-7010-1055-200	Strike
	81-9500-1546-000	Latch Mounting Screw Packet
	81-3111-0676-048	Latch Mounting Screw (4) (Wood Door Panic)
81-9500-1454-200	791 Top Strike Packet	
35	60-7010-0054-000	Bottom Bolt Case
	60-7010-0053-000	2110 2110F
36	60-2110-7006-FIN	Top Rod
37	60-7010-1025-059	Bottom Rod Connector
39	81-9500-1514-FIN	Rod Guide Packet
41	60-2110-7007-FIN	Bottom Rod
42	99-9999-4308-999	Spring Pin

2110/2110F Surface Vertical Rod

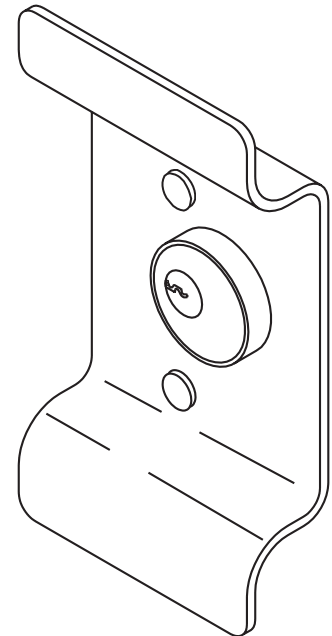




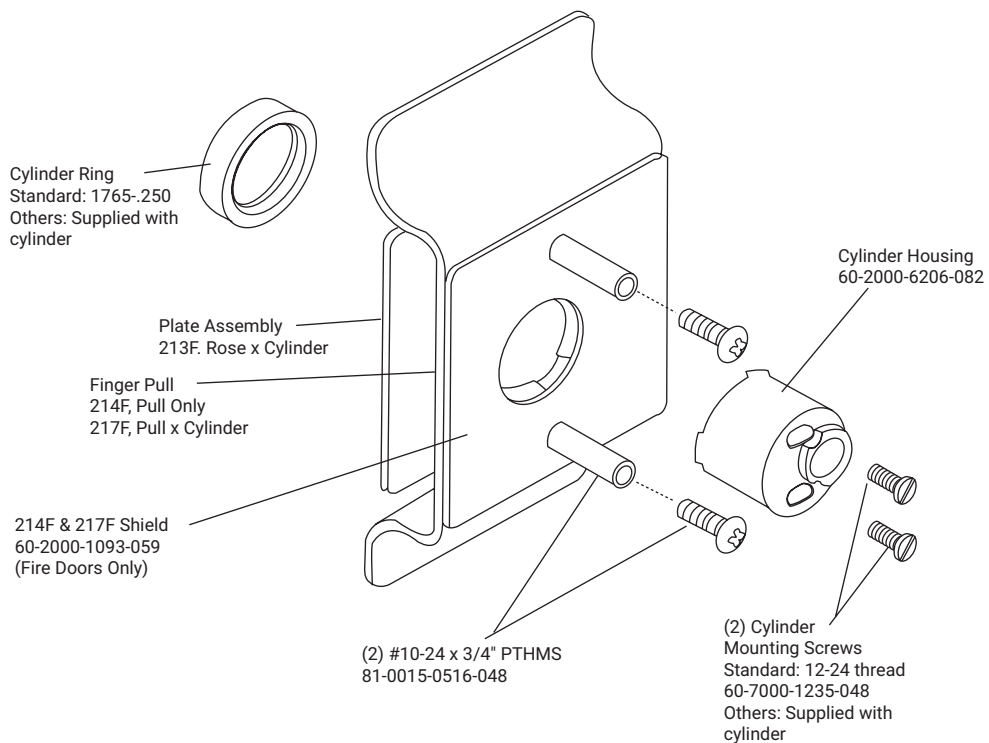
Nightlatch Access by Key
60-2100-0090-FIN
213F



Dummy Trim Pull Plate
60-2100-0020-FIN
214F



Night Latch Cylinder by Pull
60-2100-0021-FIN
217F



Levers & Knobs

<p>AR</p>  <p>Arcadia Projection: 3-1/16" (78mm) Lever assembly: RHR 60-7000-0097-FIN LHR 60-7000-0098-FIN</p>	<p>AU</p>  <p>Augusta Projection: 2-5/16" (59mm) Lever assembly: 60-7000-0095-FIN</p>	<p>CR</p>  <p>Carmel Projection: 2-7/8" (73mm) Lever assembly: 60-7000-0140-FIN</p>	<p>JN</p>  <p>Jefferson Projection: 2-3/8" (60mm) Lever assembly: 60-7000-0093-FIN</p>
<p>MO</p>  <p>Monroe Projection: 2-3/16" (71mm) Lever assembly: 60-7000-0239-FIN</p>	<p>PB</p>  <p>Pacific Beach Projection: 2-3/4" (70mm) Lever assembly: 60-7000-0240-FIN</p>	<p>PN</p>  <p>Pinehurst Projection: 2-7/8" (73mm) Lever assembly: 60-7000-0198-FIN</p>	<p>VI</p>  <p>Virginia Projection: 2-3/4" (70mm) Lever assembly: 60-7000-0236-FIN</p>

Knob and Lever Handle Assemblies Include:

Spindle - P/N 60-7000-1243-059

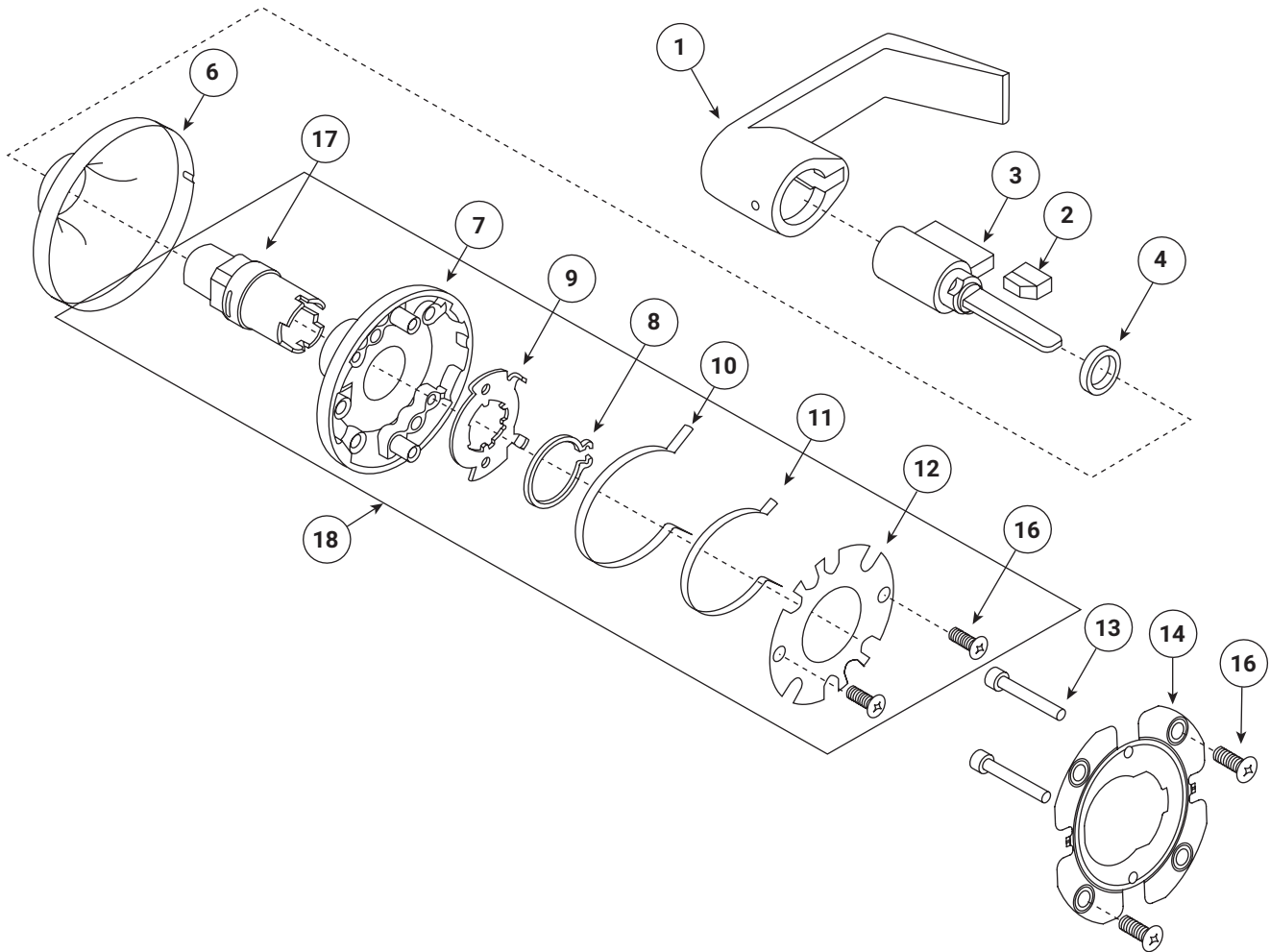
Roll Pin - P/N 99-9999-3979-023

Outside Lever/Rose Assembly



ITEM	PART NO.	DESCRIPTION	QUANTITY
1	See Page 9	Outside Lever Handle	1
2	14-5407-9034-999	Retainer Spring Pad	1
3	1802-FIN-KEYWAY	Cylinder Assembly (Specify finish, see Page 2, and keyway)	1
4	14-5407-9201-999	Cylinder Spacer	1
6	14-5401-2711-FIN	Rose Scalp (Specify finish, see Page 2)	1
7	14-5401-6756-082	Outside Rose Support	1
8	14-5401-1619-000	Snap Ring	1
9	14-5401-1624-048	Stop Plate	1
10	14-5401-1641-999	Lever Spring - Outside	1
11	14-5401-1642-999	Lever Spring - Inside	1
12	14-5401-1757-048	Cover	1
13	14-5401-1410-048	Pin	2
14	14-5401-1623-048	Outside Rose Plate	1
16	81-3811-0406-048	Screw #8-32 x 5/16" PHFH Trilobe	4
17	14-5407-0100-048	Removable Handle Shank/Retainer Assembly	1
18	14-5407-0108-048	Outside Rose/Shank Assembly	1

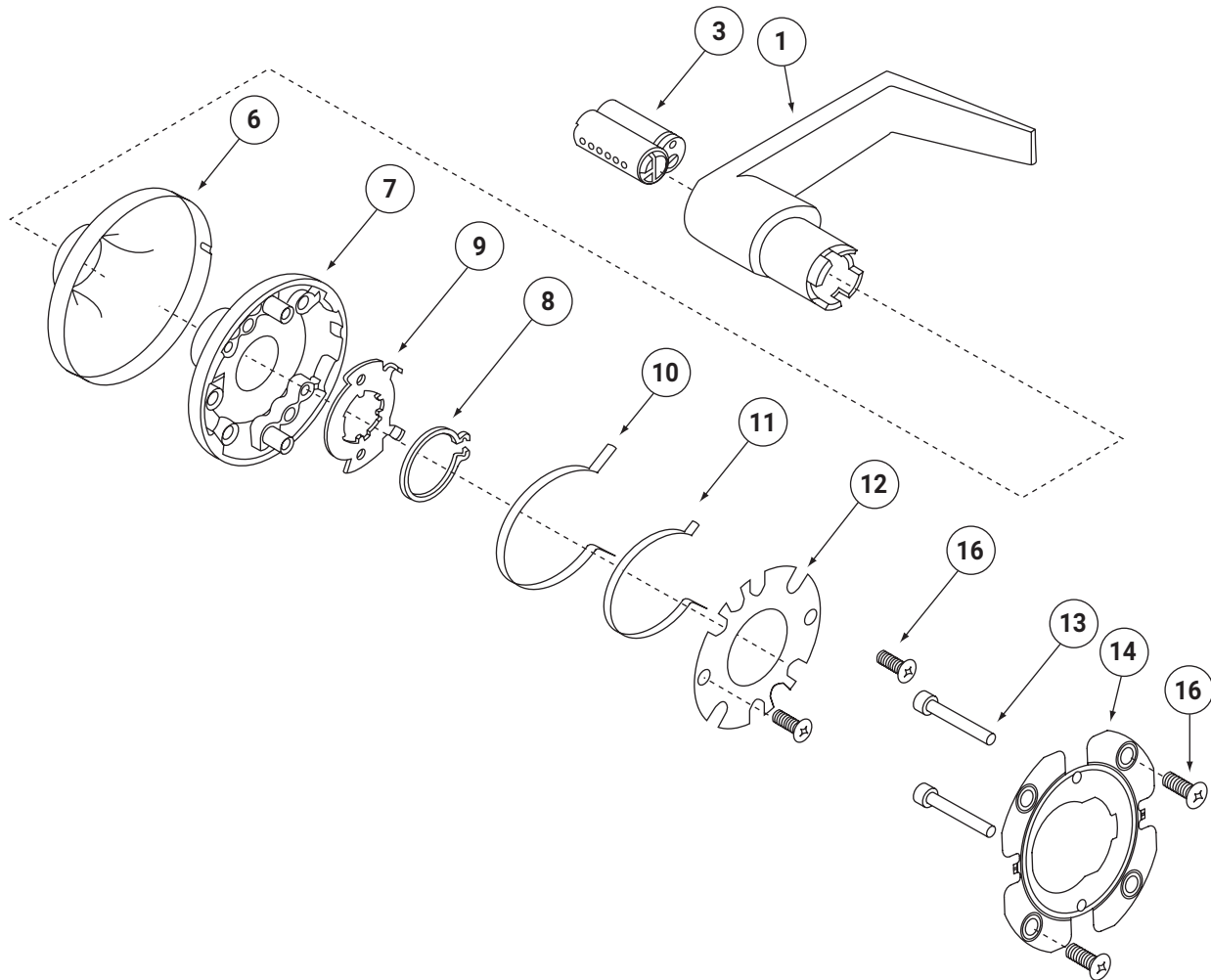
Outside Lever/Rose Assembly



Outside Lever/Rose Assembly (Interchangeable Core)

ITEM	PART NO.	DESCRIPTION	QUANTITY
1	See Page 9	Outside Lever Handle	1
3	1210-FIN-KEYWAY	Cylinder Assembly (Specify finish, see Page 2, and keyway)	1
6	14-5401-2711-FIN	Rose Scalp (Specify finish, see Page 2)	1
7	14-5401-6756-082	Outside Rose Support	1
8	14-5401-1619-000	Snap Ring	1
9	14-5401-1624-048	Stop Plate	1
10	14-5401-1641-999	Lever Spring - Outside	1
11	14-5401-1642-999	Lever Spring - Inside	1
12	14-5401-1757-048	Cover	1
13	14-5401-1410-048	Pin	2
14	14-5401-1623-048	Outside Rose Plate	1
16	81-3711-0406-048	Screw #8-32 x 5/16" PHFH Trilobe	4

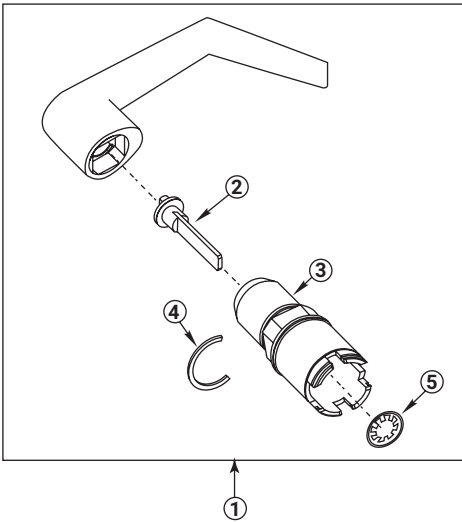
Outside Lever/Rose Assembly (Interchangeable Core)



ACCENTRA 6-Pin

ITEM	PART NO.	DESCRIPTION
1	14-5407-0076-FIN*	AU Lever Assembly
	14-5407-0019-FIN*	MO Lever Assembly
	14-5407-0030-FIN*	PB Lever Assembly
2	—	Cam and Connecting Bar Assembly
3	—	Shank
4	—	Retainer Shank
5	—	Retaining Ring

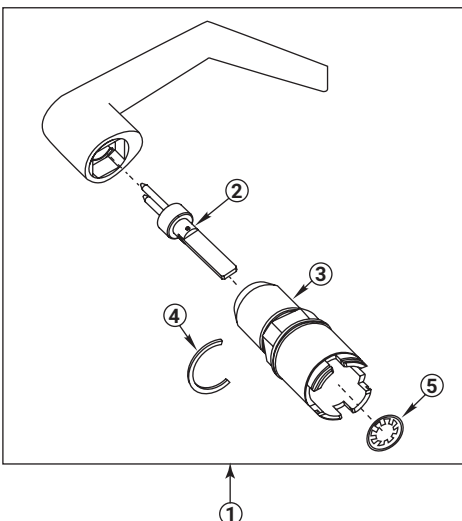
*Sold as an Assembly only.



ACCENTRA 7-Pin

ITEM	PART NO.	DESCRIPTION
1	14-5407-0077-FIN*	AU Lever Assembly
	14-5407-0021-FIN*	MO Lever Assembly
	14-5407-0031-FIN*	PB Lever Assembly
2	—	Cam and Connecting Bar Assembly
3	—	Shank
4	—	Retainer Shank
5	—	Retaining Ring

*Sold as an Assembly only.

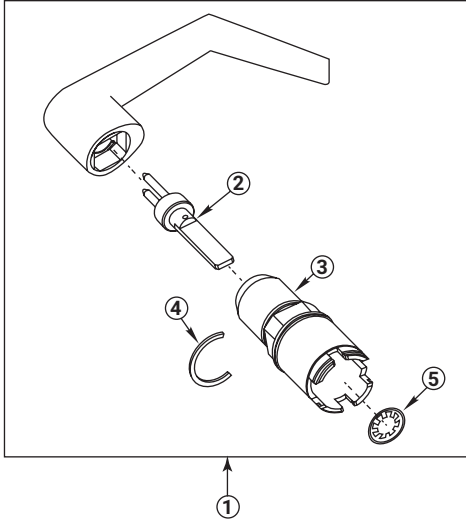


Corbin Russwin

ITEM	PART NO.	DESCRIPTION
1	14-5407-0141-FIN*	AU Lever Assembly
	14-5407-0906-FIN*	PB Lever Assembly
2	—	Cam and Connecting Bar Assembly
3	—	Shank
4	—	Retainer Shank
5	—	Retaining Ring

*Sold as an Assembly only.

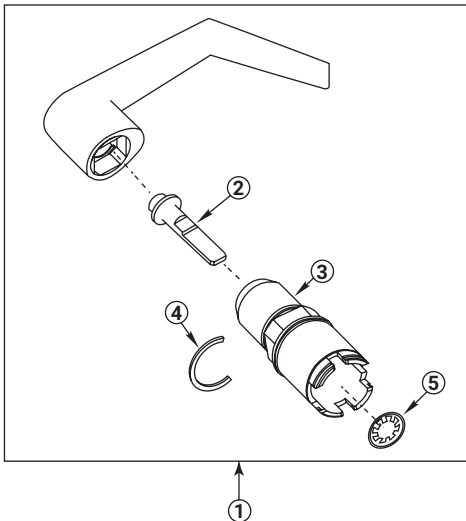
Interchangeable Core Lever Assemblies



Best®

ITEM	PART NO.	DESCRIPTION
1	14-5407-0040-FIN*	AU Lever Assembly
	14-5407-0041-FIN*	MO Lever Assembly
	14-5407-0042-FIN*	PB Lever Assembly
2	—	Cam and Connecting Bar Assembly
3	—	Shank
4	—	Retainer Shank
5	—	Retaining Ring

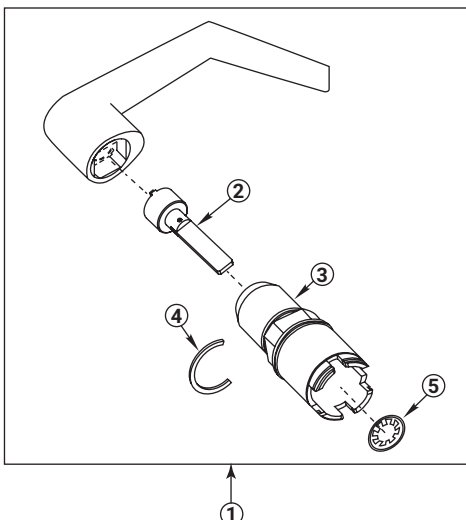
*Sold as an Assembly only.



Schlage®

ITEM	PART NO.	DESCRIPTION
1	14-5407-0904-FIN*	AU Lever Assembly
	14-5407-0905-FIN*	PB Lever Assembly
2	—	Connecting Bar
3	—	Shank
4	—	Retainer Shank
5	—	Retaining Ring

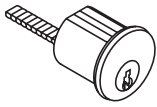
*Sold as an Assembly only.



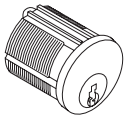
Medeco®, ASSA®

ITEM	PART NO.	DESCRIPTION
1	14-5407-0078-FIN*	AU Lever Assembly
2	—	Connecting Bar
3	—	Shank
4	—	Retainer Shank
5	—	Retaining Ring

*Sold as an Assembly only.

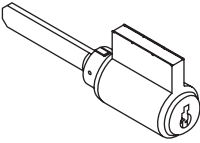
Rim Cylinder	Standard Escutcheon Trim 520F/530F Series Rim Cylinders		Application	Cylinder(s)	Description	Cylinder Collar	Mounting Screws
			2100/2100F Rim 2110/2110F SVR	1109 / 5109 6-pin	Standard / Security	1765-.250	60-7000-1235-048
				U5109 6-pin	High Security	----	60-7000-1235-048
				1109 / 5109 7-pin	Standard / Security	1765-.250	60-7000-1235-048
				U5109 7-pin	High Security	1766	60-7000-1235-048
				1709 6-pin	CMK Cylinder	1765-.656	34-2311-8738-048
				1709 7-pin	CMK Cylinder	1765-.656	34-2311-8738-048
				1193 / 5193 6-pin	Std. / Sec. I.C.	1765-.469	10-1193-1018-048
				1193 / 5193 7-pin	Std. / Sec. I.C.	1765-.656	10-1191-1018-048

Note: Mounting screw part numbers shown are the screws to mount the cylinder.

Mortise Cylinder	Keyed Removable Mullions KRM100/100F		Application	Cylinder(s)	Description	Cylinder Collar
			2100/2100F Rim	2153/5153*, 6 or 7-pin, 1-1/8" (29mm)	Standard / Security	----
				2196 / 5196 6-pin	Std. I.C. / Sec. I.C.	1765-.250
	2197 / 5197 7-pin	Std. I.C. / Sec. I.C.		1765-.250		
Alarm Kit	2100/2100F Rim 2110/2110F SVR	2197, 7-pin 1-11/16" (42mm)	Std. I.C. 7-pin	1765 - .594		

As with exit device trim you must order a cylinder to go with a keyed removable mullion. The ACCENTRA keyed removable mullion accepts a standard 6-pin 2153 mortise cylinder with cam #2160. Other cylinders are optional.

*U5153 6 and 7-pin cylinders cannot be used with a keyed removable mullion.

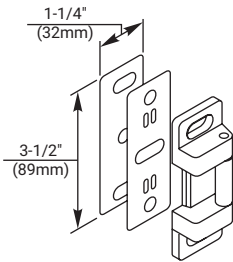
Knob or Leverset Trim 540F/580F Series Trim Keyed trim uses ACCENTRA cylindrical lock cylinders.		Application	Cylinder(s)	Description
		2100/2100F Rim 2110/2110F SVR	1801	6-pin Knob Cyl. (Std.)
			1802	6-pin Lever Cyl. (Std.)
			1802A	7-pin Lever Cylinder
			1210	6-pin I.C. Lever Cylinder
			1220	7-pin I.C. Lever Cylinder
			5802	6-pin Security Lever Cyl.
			5802A	7-pin Security Lever Cyl.
			5210	6-pin I.C. Security Cyl.
			5220	7-pin I.C. Security Cyl.
			107S	Adaptor kit for Schlage® Cyl.
			"B" Trim Prefix	Trim with lever for Best®, Arrow® or Falcon® IC cylinder (specify 6 or 7-pin)
			"R" Trim Prefix*	Trim with lever for Corbin Russwin IC cylinder

*AU & PB levers only.

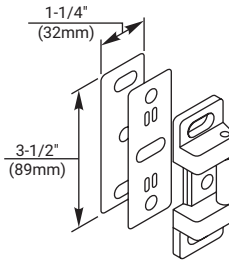
KeyMark Refer to separate catalog section for availability.

Strikes

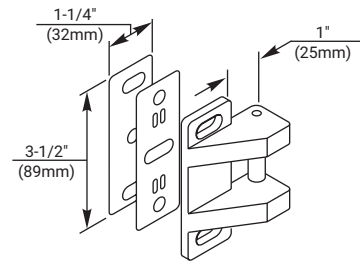
Rim Devices



757
Standard
on 2100

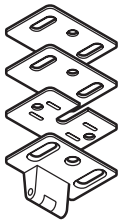


757F
Standard
on 2100F



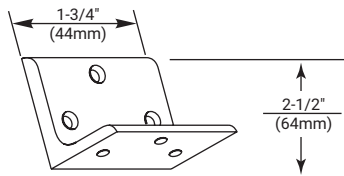
793
Optional strike for double door
applications without a mullion
on 2100

Vertical Rod Devices

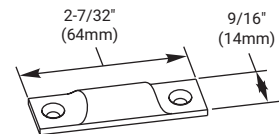


1-9/16" x 15/16"
(40mm x 24mm)

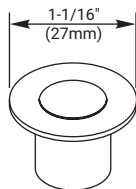
791
Standard
Top Strike
on 2110, 2110F



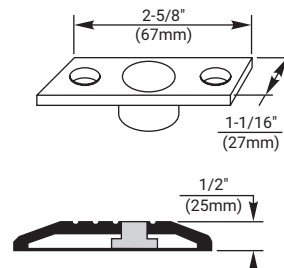
797
Bracket for SVR Top Strike
in Flush Transom Opening
on 2110F



702
Floor Strike for optional
bottom Pullman Latch



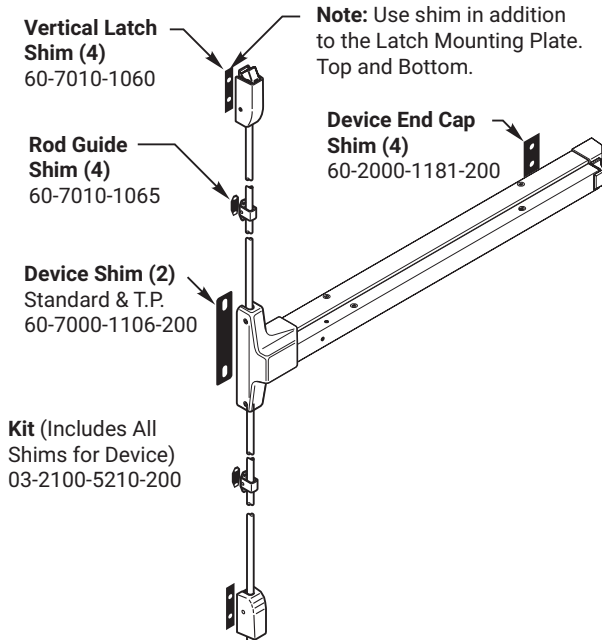
790
Standard Bottom Strike
on 2110, 2110F



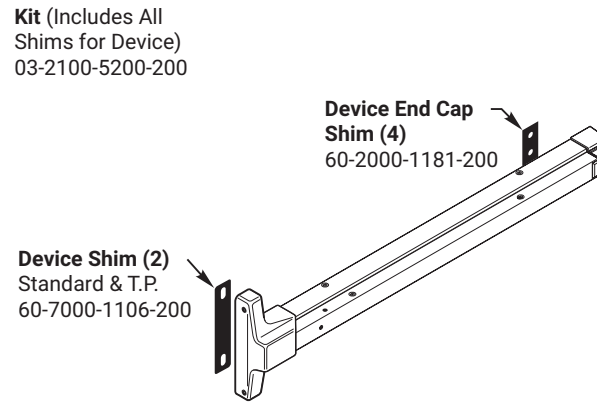
794
Optional Floor Strike for fire openings
using saddle threshold, or flush floor
mount. Must use for fire openings with
thresholds.

Shim Kits

224
For 2110/2110F Surface Vertical Rod Exit Device

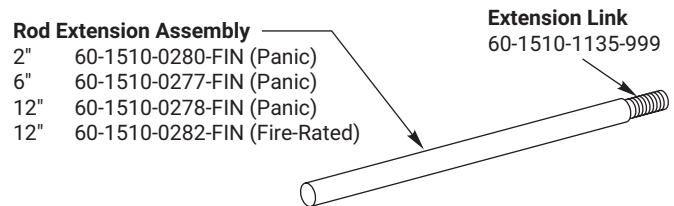


223
For 2110/2110F Rim Exit Device

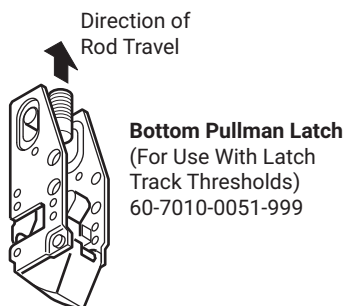


Surface Vertical Rod Extension Kits

Used to extend the height of standard length rods for 2100/2110F Series exit devices.

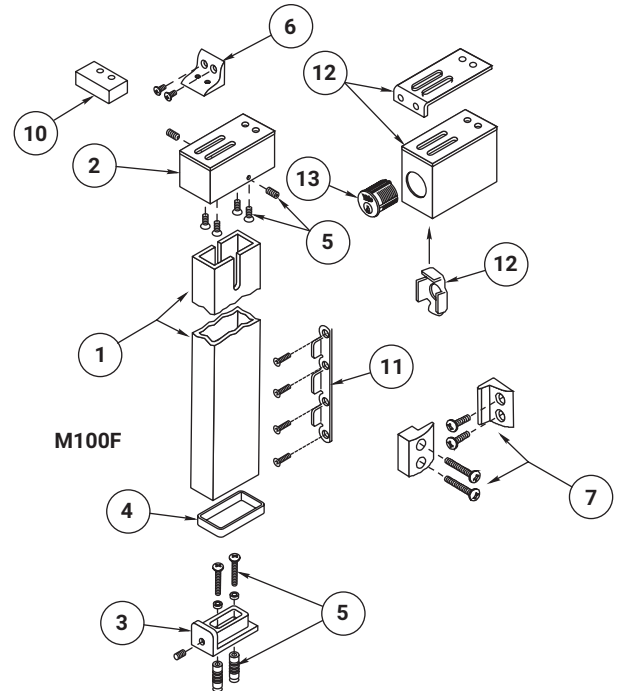


Optional Vertical Latches



Mullion Parts

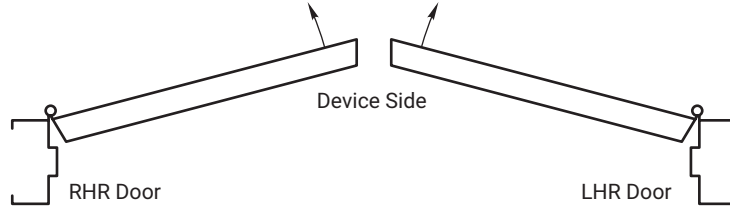
ITEM	PART NO.	DESCRIPTION
1	60-1500-1267-114 60-1500-1265-114 60-1500-1266-114	Mullion 7' for M100(F) 8' for M100(F) 10' for M100(F)
2	60-1500-1283-078	Bracket, Upper Mounting
3	60-2000-1164-078	Bracket, Lower Mounting Panic/Fire Rated
4	60-2000-9158-999	Anchor Pad (Fire Rated)
5	81-9500-0351-000 81-0011-0616-059 81-6219-2708-059 81-6419-2714-059 60-7000-1324-048 99-9999-7161-059 99-9999-6037-999	Screw Packet contains: Screw #12-24 x 3/4" FHM-PH (4) Set Screw 5/16-18 x 3/8" (1) Set Screw, Half Dog 5/16-18 x 5/8" (2) Screw 1/4-20 x 3/4" RHM-PH (2) Lock Washer 1/4" (2) Masonry Anchor 1/4-20 (2)
6	81-9500-0371-078	Angle Bracket Packet contains: Angle Bracket (1) Screw #12-24 x 7/16" OHM-PH (2)
7	81-9500-1417-078	Stabilizer Kit (optional) contains: Bracket, Stabilizer (2) Stabilizer (2) Spacer, Stabilizer (4) Screw, #10-24 x 3/4" FHM-PH (4) Screw, #10-24 x 1" FHM-PH (4)
Not Shown	81-9500-1524-114	Parts Packet contains: Items 2, 3, 4, 5 and 11
Not Shown	81-9500-1523-FIN	Parts Packet contains: Items 7, 8 and 9
10	00-0000-3516-000	Spacer, Mullion
11	81-9500-1561-058 60-2000-1156-058 81-0011-0516-058	Door Bracket Packet contains: Bracket, Door (2) Screw, #10-24 x 3/4 FPHMS (8)
12 Not Shown	00-0000-3432-000 60-1500-0150-078 60-1500-0153-078 60-7000-1419-078 60-7000-1413-048 81-9500-1585-000 81-0011-0616-999 60-7000-1413-048 81-0014-0406-036 81-3711-0412-048	KRM150 Retro Fit Kit contains: Bracket, Top, Final Assembly Bracket Assembly, Mounting Shim, Mullion (2) Bracket, Cylinder Anti-Rotation KRM150 Screw Pack contains: Mounting Screw, #12 x 24 x 3/4 FHPMS (4) Bracket Cylinder Anti-Rotation Bracket Mounting Screw 8-32 x 5/16" Cylinder Screw 8 x 32 x 1/2"
13	See Page 15	Cylinder, Mortise



Rim Devices

2100/2100F Series

These devices are non-handed.

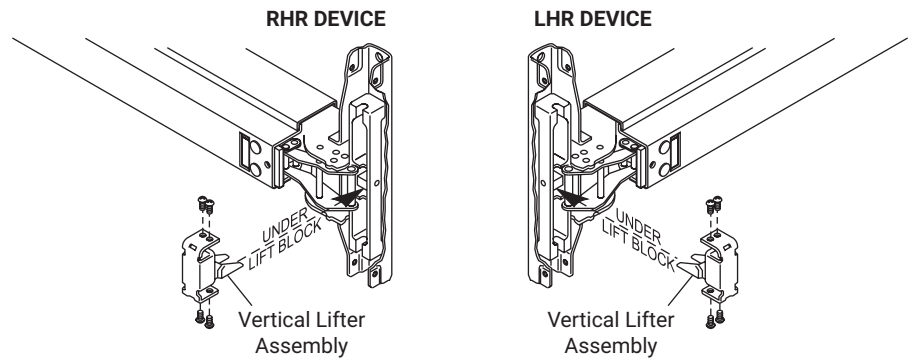


Surface Vertical Rod Devices

2110/2110F Series

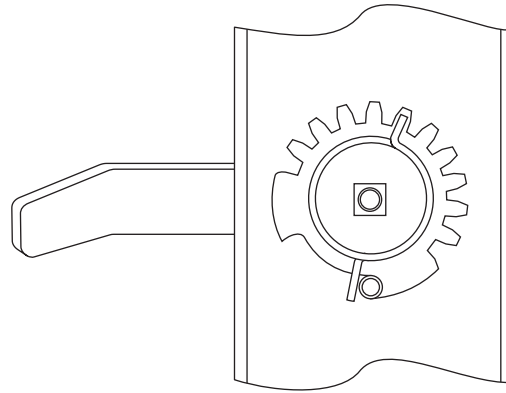
Remove four screws and vertical lifter assembly. Turn device to opposite (180°) orientation, insert lifter assembly and reinstall screws.

NOTE: Lifter must fit under lift block as shown.

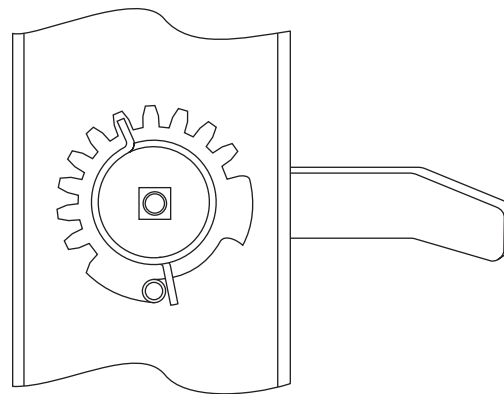


Lever Handle Trim

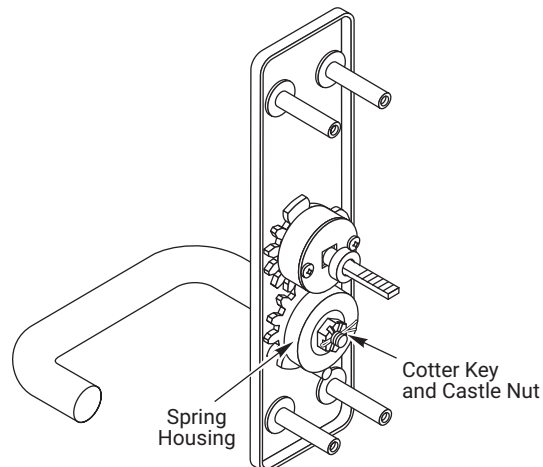
1. Remove cotter pin.
2. Remove castle nut.
3. Observe spring orientation:
 - LHR:** Red spring (part # 60-7000-1225-999) Short lead is at 1 o'clock and long lead is to lever side of stump at 6 o'clock.
 - RHR:** Blue spring (part # 60-7000-1224-999) Short lead is at 11 o'clock and long lead is to lever side of stump at 6 o'clock.
4. Remove round housing, spring and spacer.
5. Note orientation of "gap" which governs rotation in gear and remove gear.
6. Rotate lever 180°.
7. Flip gear over and reinstall, observing proper gap orientation for new direction of rotation:
 - LHR** 6 - 8 o'clock
 - RHR** 4 - 6 o'clock
8. Install spring of opposite hand (color). Place spring around spindle with long lead against gear and to lever side of post. Place housing (gap side toward lever) over spring and spindle until square in housing begins to slide down on spindle. While applying downward pressure on housing, wind short lead of spring toward lever until housing snaps into place.
9. Replace spacer in housing. Spring, housing and spacer should now be oriented as indicated in step 3 above.
 - Note:** Housing gap will always be to the lever side and spring will be slightly preloaded when properly installed.
10. Be sure lever thimble is seated properly in escutcheon. Reinstall nut snugly, but do not over tighten. Lever should rotate freely.
11. Replace cotter pin.



Right-Hand Reverse (Blue Spring)



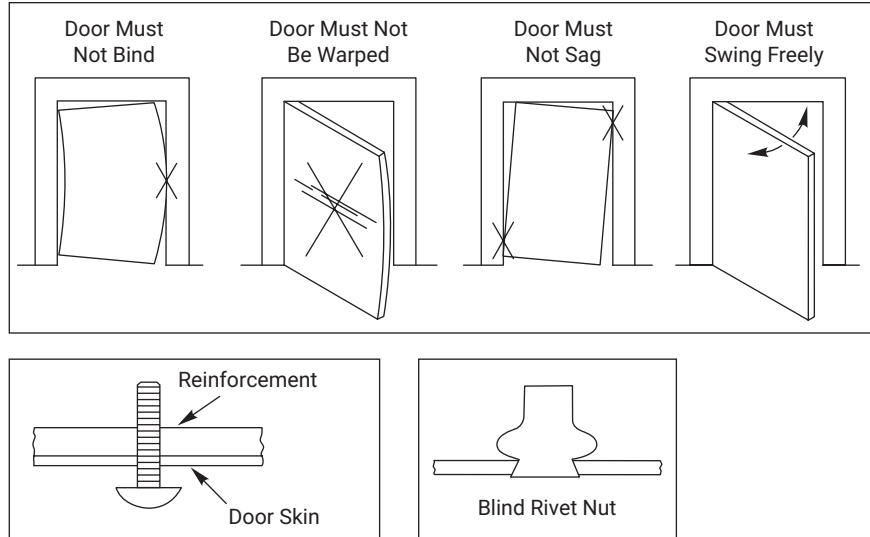
Left-Hand Reverse (Red Spring)



1. Many problems with the operation of exit devices are caused by factors other than the device itself. Among the most common is a misalignment or an improper fit of the door within the frame.

2. Another common source of problems is improper installation. Even if all cutouts and screw holes are properly located, exit devices must be securely fastened to properly reinforced doors. Hollow doors and frames with a structural thickness (metal skin plus reinforcement, or solid hardwood) must have at least three full screw threads to be considered reinforced.

3. Most problems with dogging occur on vertical rod devices. When the dogging function is hard to engage or will not work at all, the rods may be incorrectly adjusted, allowing the mechanism to bottom out. Readjust rods per the device instructions or as outlined on the previous pages.



The ASSA ABLOY Group is the global leader in access solutions. Every day we help people feel safe, secure, and experience a more open world



Copyright © 2004-2024, ASSA ABLOY ACCENTRA™ Access and Egress Hardware Group, Inc. All rights reserved. Reproduction in whole or in part without the express written permission of ASSA ABLOY Access and Egress Hardware Group, Inc. is prohibited. Patent pending and/or patent www.assaabloydss.com/patents.

1-855-557-5078 Ext. 2
www.accentra-assaabloy.com

42110 04/04

Experience a safer
and more open world