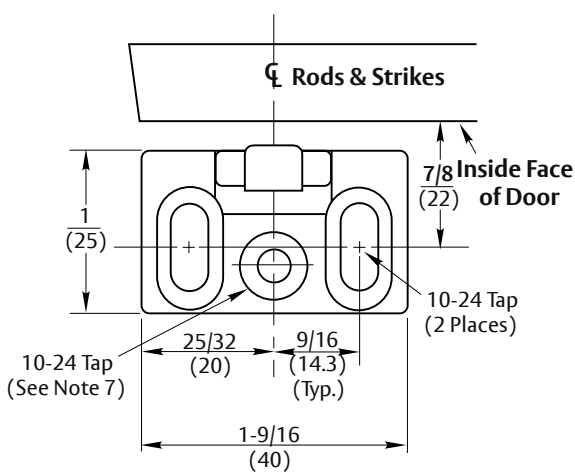
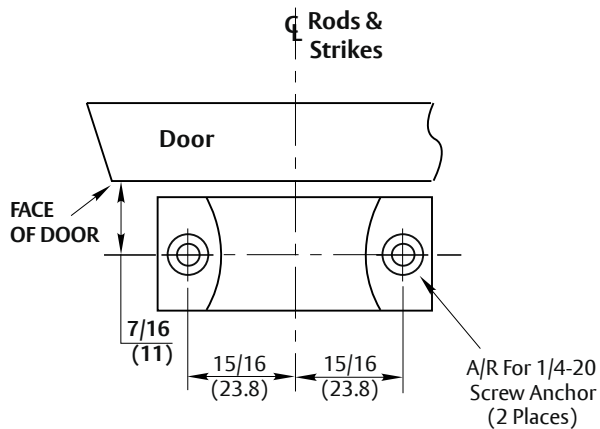


791 STRIKE DETAIL

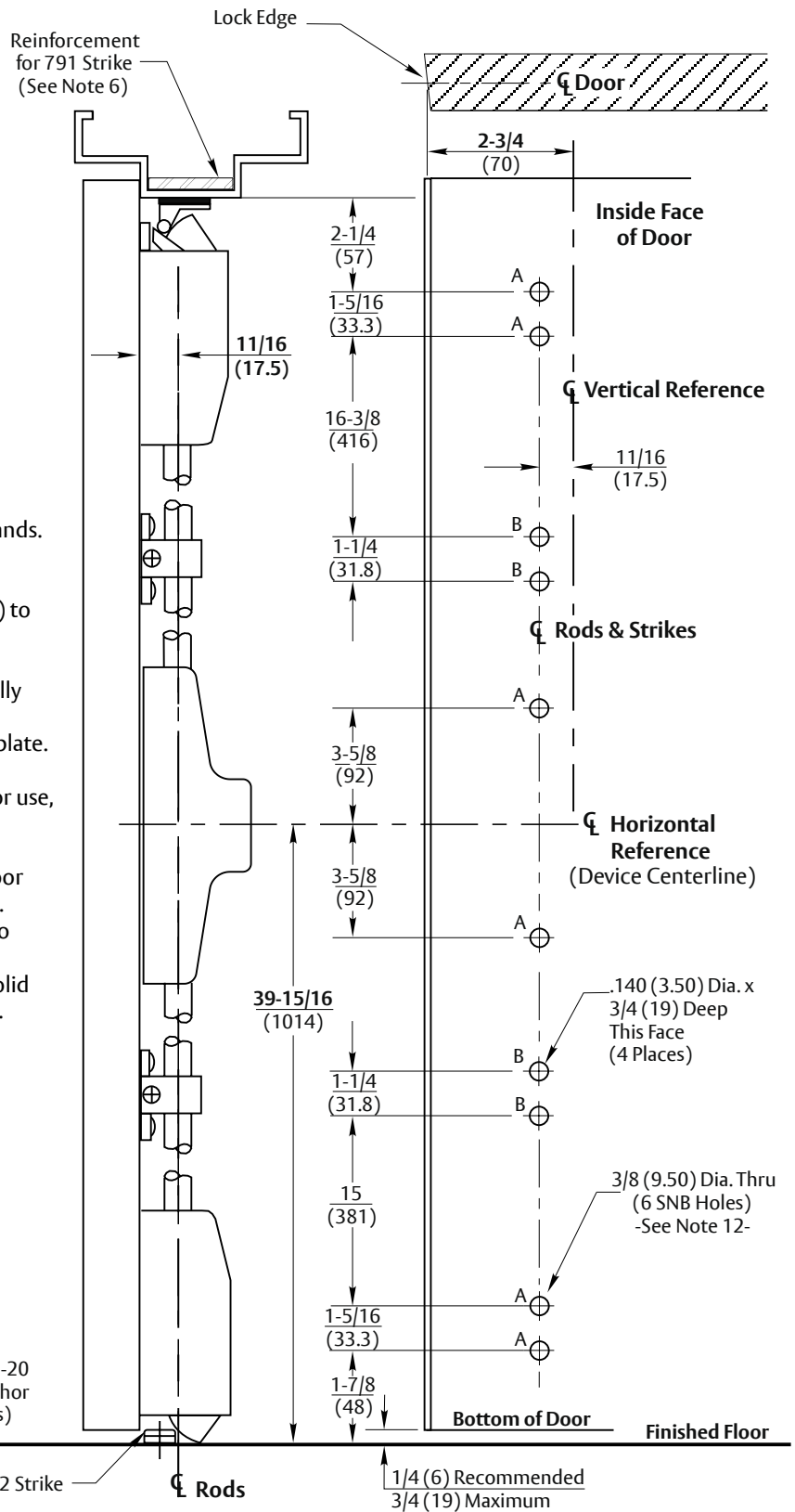


NOTES:

1. Do not scale drawing.
2. Dimensions are in inches (mm).
3. LHR door shown. Preparation is typical for both door hands.
4. Minimum door stile width: 4-1/2 (114).
5. Prepare mounting holes when installing the device.
6. Unreinforced frames require blind rivet nuts (by others) to mount the strike.
7. This hole MUST be field located using physical part as template, after installation is complete and device is fully operational.
8. For outside trim preparation see appropriate trim template.
9. Provide adequate structural support to maintain door integrity after device installation with power tools, door use, or abuse.
10. Device mount to hinge stile (not shown) requires hole location and preparation during device installation. Door structural requirements are similar for both door stiles.
11. For electrical devices (suffixes "-B", "-G", "-O", "-P", "-S") also see template 7477-0001.
12. Wood screws (#14 x 1-1/4", by others) permitted for solid core wood doors if pilot holes are used for installation.



702 STRIKE DETAIL



RESPONSIBILITY

DOOR AND FRAME MANUFACTURERS ARE RESPONSIBLE FOR PROVIDING ADEQUATE CONSTRUCTION OR REINFORCEMENTS FOR PROPER INSTALLATION OF HARDWARE SHOWN. ALL ARCHITECTURAL BUILDERS HARDWARE MUST BE INSTALLED ON PROPERLY REINFORCED DOORS AND FRAMES, REGARDLESS OF TYPE, MATERIAL, OR METHOD OF CONSTRUCTION.

7110 & 7115 Surface Vertical Rod Panic Devices with Bottom Pullman Latch Option
Application for Wood or Composite Door and H.M. Frame with 702 Floor Strike

Contact us for support at 1-855-557-5078.

ASSA ABLOY

SUPERSEDES	8/99	DO NOT SCALE DRAWING
TEMPLATE NUMBER	7470-1015	DATE 12-23