

7110(F) & 7170(F) (LBR)

Surface Vertical Rod Exit Device Series

Installation Instructions

ACCENTRA

ASSA ABLOY



WARNING

This product can expose you to lead which is known to the state of California to cause cancer and birth defects or other reproductive harm. For more information go to www.P65warnings.ca.gov.

WARNING

Attention Installer: Any retrofit or other field modification to a fire rated opening can potentially impact the fire rating of the opening, and ASSA ABLOY makes no representations or warranties concerning what such impact may be in any specific situation. When retrofitting any portion of an existing fire-rated opening, or specifying and installing a new fire-rated opening, please consult with a code specialist or local code official (Authority Having Jurisdiction) to ensure compliance with all applicable codes and ratings.

80-9470-0010-000 04/24

1-855-557-5078 Ext. 2 • www.accentra-assaabloy.com

Copyright © 2018, 2020, 2021, 2023, 2024, ASSA ABLOY ACCENTRA™ Access and Egress Hardware Group, Inc. All rights reserved.
Reproduction in whole or in part without the express written permission of ASSA ABLOY Access and Egress Hardware Group, Inc. is prohibited.

Experience a safer
and more open world

Table of Contents

| | |
|--|----|
| 1. Package Contents | 3 |
| 2. Handing | 4 |
| 3. Maintenance | 4 |
| 4. Pre-Installation | 4 |
| 5. Installation | 5 |
| 5. Installation, continued | 6 |
| 5. Installation, continued | 7 |
| 5. Installation, continued | 8 |
| 5. Installation, continued | 9 |
| 6. Plastic Installation Template 7000 Exit Devices | 10 |
| 7. 7110 Template 791 Strike | 10 |
| 8. 7170 Template 790 Strike | 13 |
| 9. 7170 Template 726 Strike | 16 |

| Abbreviation | Fastener Description |
|--------------|---|
| PPH"AB"SMS | Phillips Pan Head Type "AB" Sheet Metal Screw |
| PFHUMS | Phillips Flat Head Under Cut Machine Screw |
| PFHMS | Phillips Flat Head Machine Screw |
| PRH"AB"SMS | Phillips Round Head Type "AB" Sheet Metal Screw |
| PTH"AB"SMS | Phillips Truss Head Type "AB" Sheet Metal Screw |
| PPHMS | Phillips Pan Head Machine Screw |
| PFH"AB"SMS | Phillips Flat Head Type "AB" Sheet Metal Screw |
| PRHMS | Phillips Round Head Metal Screw |

All dimensions are in inches (mm) unless otherwise noted.

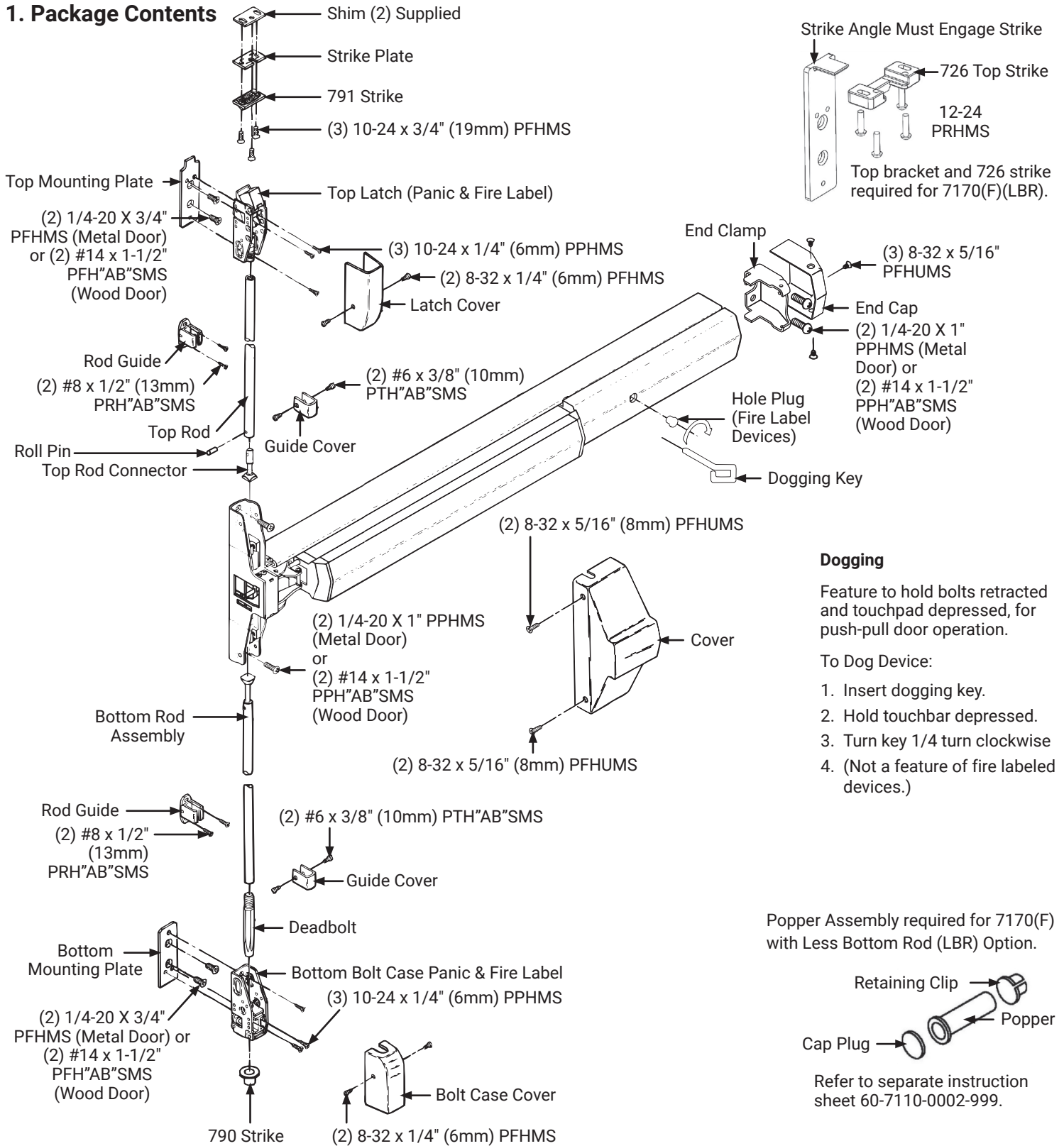
7110(F) & 7170(F) (LBR)

Surface Vertical Rod Exit Device Series

Installation Instructions

ACCENTRA
ASSA ABLOY

1. Package Contents



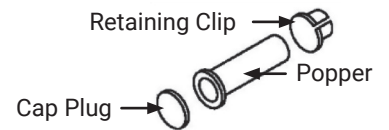
Dogging

Feature to hold bolts retracted and touchpad depressed, for push-pull door operation.

To Dog Device:

1. Insert dogging key.
2. Hold touchbar depressed.
3. Turn key 1/4 turn clockwise
4. (Not a feature of fire labeled devices.)

Popper Assembly required for 7170(F) with Less Bottom Rod (LBR) Option.



Refer to separate instruction sheet 60-7110-0002-999.

80-9470-0010-000 04/24

1-855-557-5078 Ext. 2 • www.accentra-assaabloy.com

Copyright © 2018, 2020, 2021, 2023, 2024, ASSA ABLOY ACCENTRA™ Access and Egress Hardware Group, Inc. All rights reserved. Reproduction in whole or in part without the express written permission of ASSA ABLOY Access and Egress Hardware Group, Inc. is prohibited.

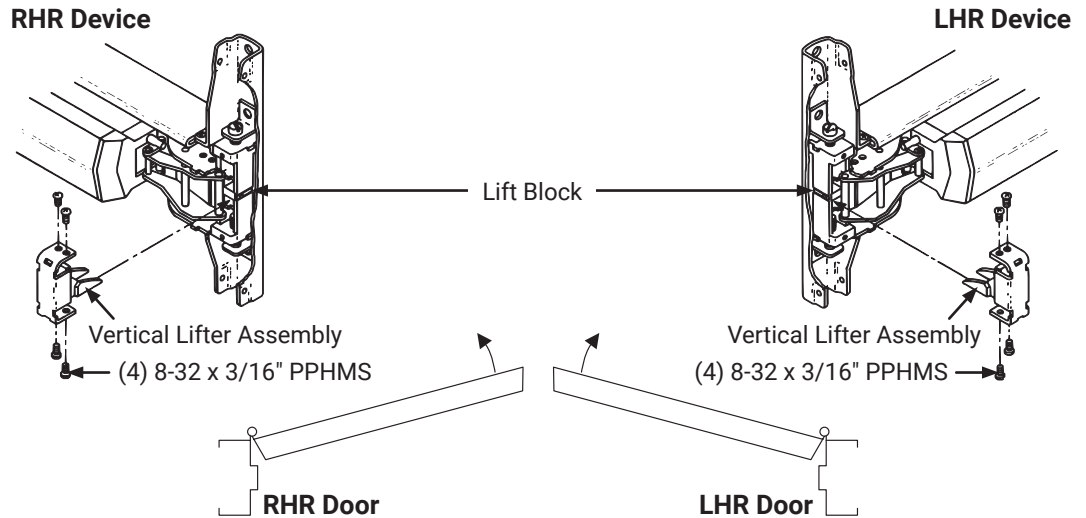
Experience a safer
and more open world

2. Handing

To change hands remove (4) screws and vertical lifter assembly.

Rotate device to opposite hand (180 degrees).

Insert lifter assembly under lift block and re-install screws.



3. Maintenance

1. Periodically remove covers and coat mechanisms with a silicone base lubricant. This is particularly required in corrosive environments for proper product function.
2. Check mounting fasteners periodically. Retighten if found loose. Apply screw locking compound (available at automotive part stores) or change part fasteners if screws continue to back out.
3. Periodic checks (and adjustments) of strikes are required to compensate for changes in the opening (e.g. door sagging).

4. Pre-Installation

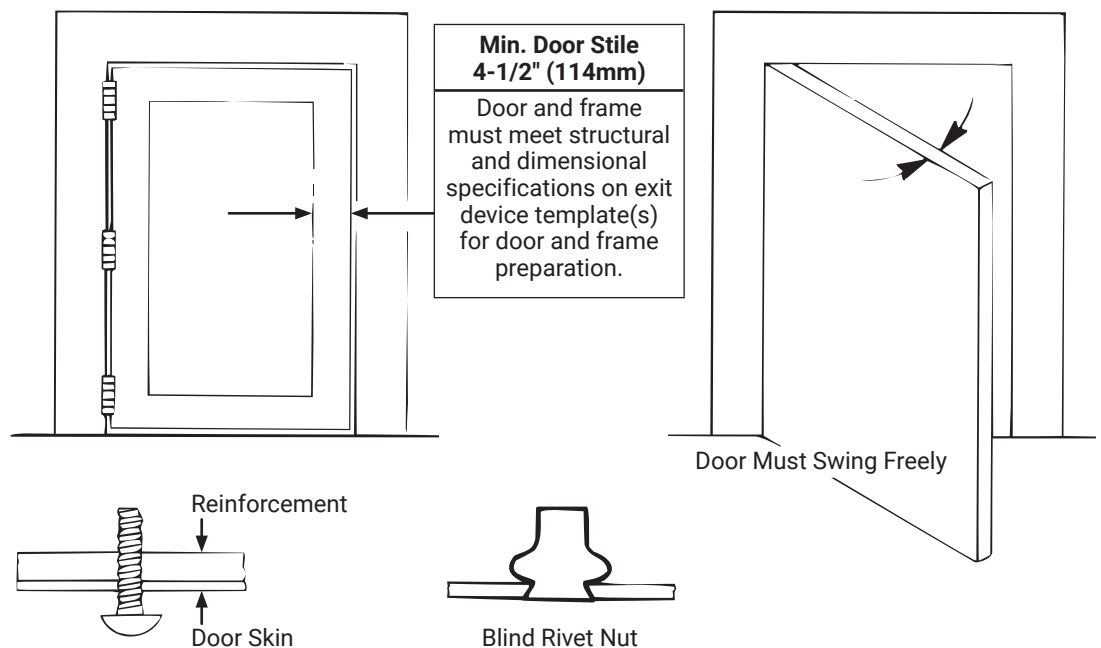
Unreinforced Doors or Frames

Doors and Frames with walls having a structural thickness (metal skin plus reinforcement or solid hardwood) to engage less than (3) full screw threads are considered unreinforced.

Unreinforced Doors: Use SNB (sex nuts and bolts).

Unreinforced Frames: Use Blind Rivet Nuts.

Recommended fasteners for unreinforced openings are not necessarily supplied by ASSA ABLOY ACCENTRA™.



5. Installation, continued

Size Device

Determine device length

1. Close door. Measure 2-1/4" (57mm) from the stop surface on the hinge side of the door. Mark horizontal reference at this point.

NOTE: This dimension must be 3/8" (10mm) minimum from edge of the stile on the door.

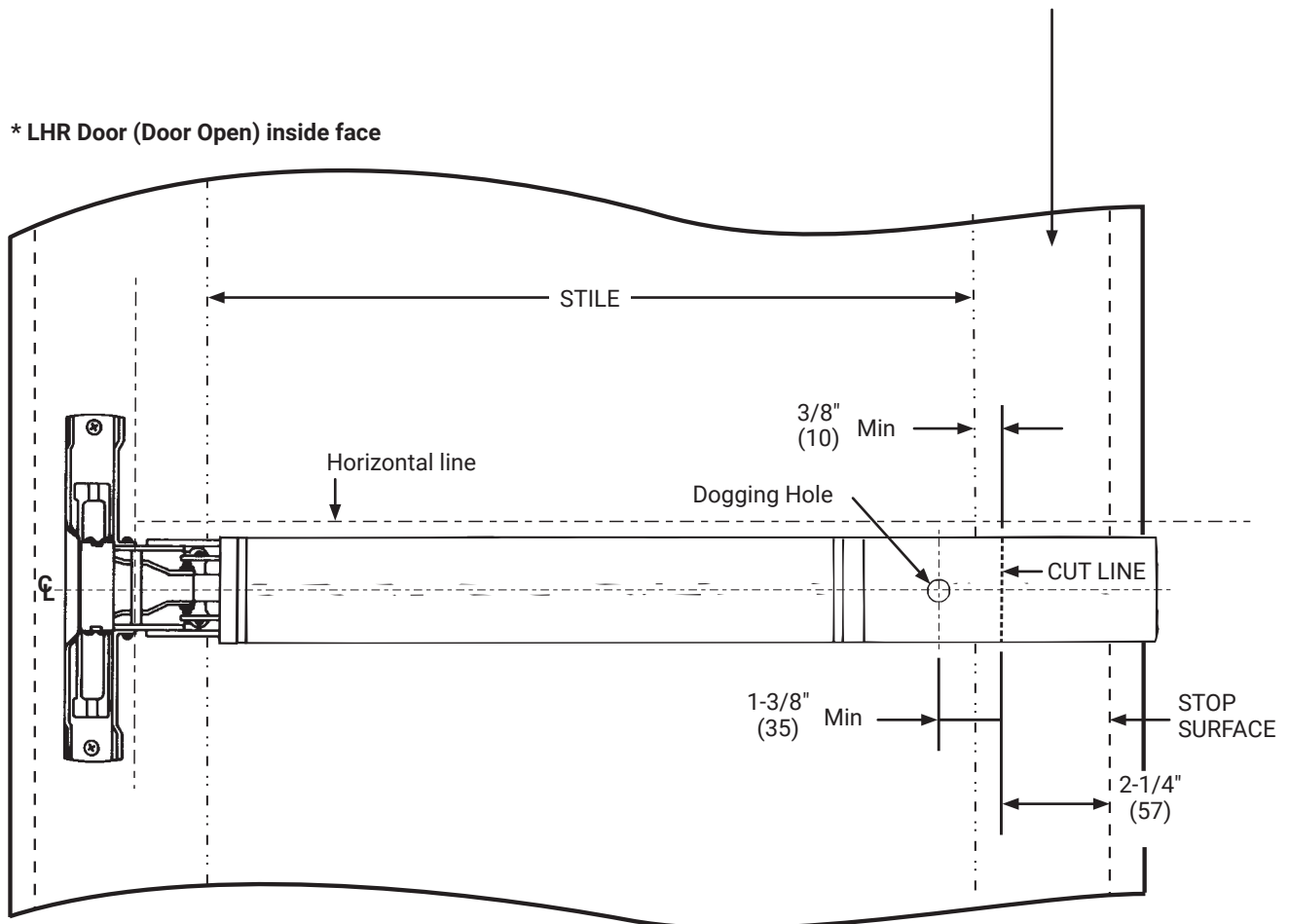
2. Open door. Align mounting holes in device with mounting holes in the door. Mark device where it crosses the mark from Step 1. If mark is less than 1-3/8" (35mm) min. from dogging hole, a shorter device is required.

3. Before cutting, make sure the end cover is in place and there is no gap between it and the pushpad. Cut device on mark from Step 2.

Device must be field cut to size, as required

HINGE SIDE OF DOOR

* LHR Door (Door Open) inside face



7110(F) & 7170(F) (LBR)

Surface Vertical Rod Exit Device Series

Installation Instructions

ACCENTRA

ASSA ABLOY

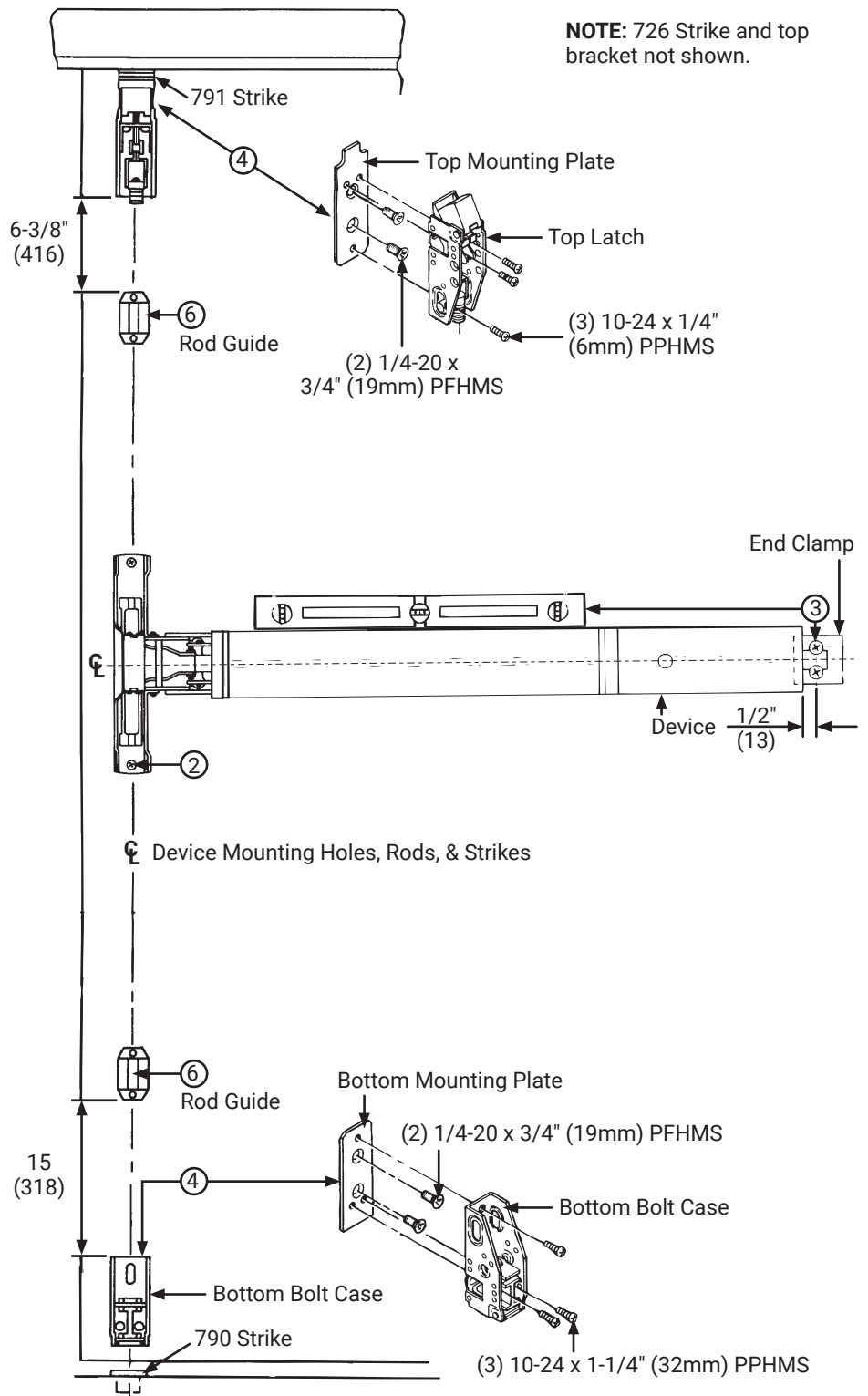
5. Installation, continued

Mount Device & Components

1. Mount trim when required per installation instruction sheet provided with trim pack.
2. Fasten device at the latch head using (2) 1/4-20 x 1" (25mm) PPHMS or 3/8" (10mm) diameter SNB (Metal Door) or #14 x 1-1/2" PPH "AB" SMS (Wood Door), to door surface.
3. Set device level. Using the end clamp as a template, locate the end clamp mounting holes and mount end clamp using (2) 1/4-20x1" (25mm) PPHMS or 3/8" (10mm) SNB or #14 x 1-1/2" PPH "AB" SMS (Wood Door).
4. Attach top and bottom mounting plates to the door surface using (4) 1/4-20 x 3/4" (13mm) PFHMS or 3/8" (10mm) diameter SNB or #14 x 1-1/2" (38mm) PPH "AB" SMS (Wood Door). Attach top latch and bottom bolt case to the top and bottom mounting plates using (6) 10-24 x 1/4" (6mm) PFHMS.

NOTE: For 7170(F) (LBR) options see 726 strike template.

5. Check slide action. Press on the pushpad. The slide should move up freely. If not, verify handing. See Section 2. Release the touchbar. The slide should fall back to the original rest position.
6. Install rod guides.
 - a. Locate the rod guide as dimensioned. Spot (2) mounting holes.
 - b. Prepare holes
 - Metal door: #28 - .140" (3.5mm) diameter Inside Face.
 - Wood door: #28 - .140" (3.5mm) diameter x 3/4" (19mm) deep
 - c. Mount guides. Fasten with (2) #8 x 1/2" (13mm) PRH "AB" SMS as shown above.



80-9470-0010-000 04/24

1-855-557-5078 Ext. 2 • www.accentra-assaabloy.com

Copyright © 2018, 2020, 2021, 2023, 2024, ASSA ABLOY ACCENTRA™ Access and Egress Hardware Group, Inc. All rights reserved. Reproduction in whole or in part without the express written permission of ASSA ABLOY Access and Egress Hardware Group, Inc. is prohibited.

Experience a safer
and more open world

5. Installation, continued

Rod Preparation & Assembly

NOTE: Below listed instructions are based on a device mounted 39-15/16" (1014mm) from finished floor or threshold. Any deviation on device mounting height must be accommodated to insure proper device function.

A. Top Rod Sizing

- For openings under 7' (2134 mm), subtract the actual opening height from 7' (2134 mm).

Example:
 6'8" (2032mm) opening
 7'0" (2134mm) - 6'8" (2032mm)
 = 4" (102mm)

Top Rod must have 4" (102 mm) cut from end with 1/8" (3mm) thru hole. Use attached drill fixture to locate and re-drill 1/8" (3mm) dia. hole thru the top rod. Make sure rod bottoms out inside drill fixture prior to drilling. (See **Figure 5A**).

- For opening over 7' (2134 mm), subtract 7' (2134 mm) from the actual opening height.

Example:
 7'6" (2286mm) - 7'0" (2134mm)
 = 6" (152mm).

Top Rod must have a 6" (152mm) extension added to length (See below for available rod lengths).

B. Assemble Top Rod

Insert Top Rod Connector into sized Top Rod and Install 1/8" (3 mm) x 1/2" (13mm) Roll Pin thru both pieces until flush on both sides. (See **Figure 5B**).

Figure 5A: Drill Pin Hole

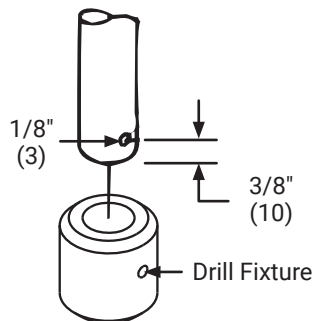
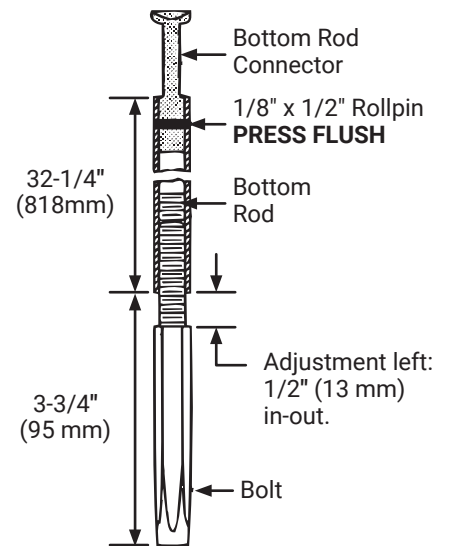
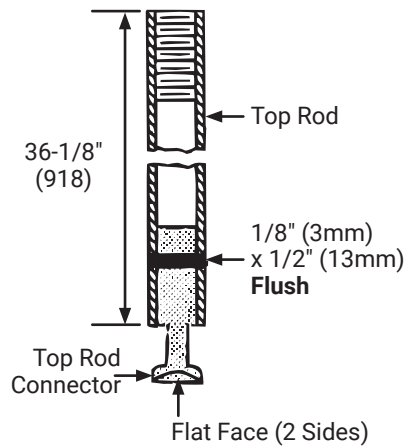


Figure 5B: Top Rod Assembly



Rod Extension Options



60-1510-0280: 2" (51mm)
 60-1510-0277: 6" (152mm)
 60-1510-0278: 12" (305mm)
 (Specify Device Finish)

Bottom Bolt Assembly

- Thread Bottom Bolt into Bottom Rod Assembly.
- Leave 1/2" (13mm) for adjustment.

7110(F) & 7170(F) (LBR)

Surface Vertical Rod Exit Device Series

Installation Instructions

ACCENTRA

ASSA ABLOY

5. Installation, continued

Complete Installation

A. Install Top Rod and 791 Strike

1. Thread Top Rod Assembly onto Top Latch. Lift rod to fully retract Top Latchbolt. Depress Pushpad and hold depressed. Adjust top rod length until Rod Connector seats into the Slide Assembly in latch case.

NOTE: For 7170 devices, skip section (2a) and 2(b). See the installation instructions for the 726 strike on page 9.

2a. Position the Top Strike Roller between the Tripping Lever and the Bolt on the Top Latch. Verify hole positions and prepare holes per Installation Instruction Template.

2b. Install Top Strike and Strike Plate using (2) #10-24 x 3/4" (19mm) PFHMS thru outer slots. Adjust and shim strike as needed for zero door rattle. Add third screw (#10-24 x 3/4" (19mm) PFHMS) after final adjustments.

3. If Top Bolt does not remain retracted when door is opened, Top Rod is too short. Pull rod out of the guide and the slide then rotate rod to increase length. Upper Bolt should retract flat.

4. If upper latch will not deadlock, Top rod is too long. Pull rod out of the guide and the slide and rotate to decrease length.

* If 7170 LBR, skip section B.

B. Install Lower Rod and 790 Strike

1. With door open, actuate Pushpad to retract upper latch. Hang Lower rod from bottom of Slide and adjust bolt so that it clears the finished floor by 1/4".

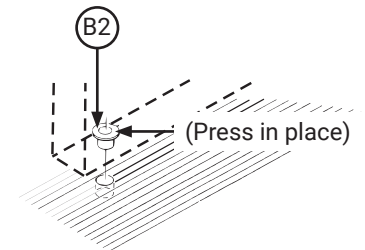
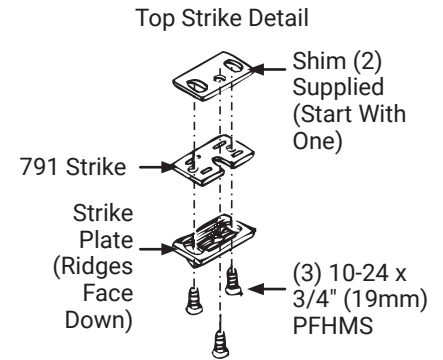
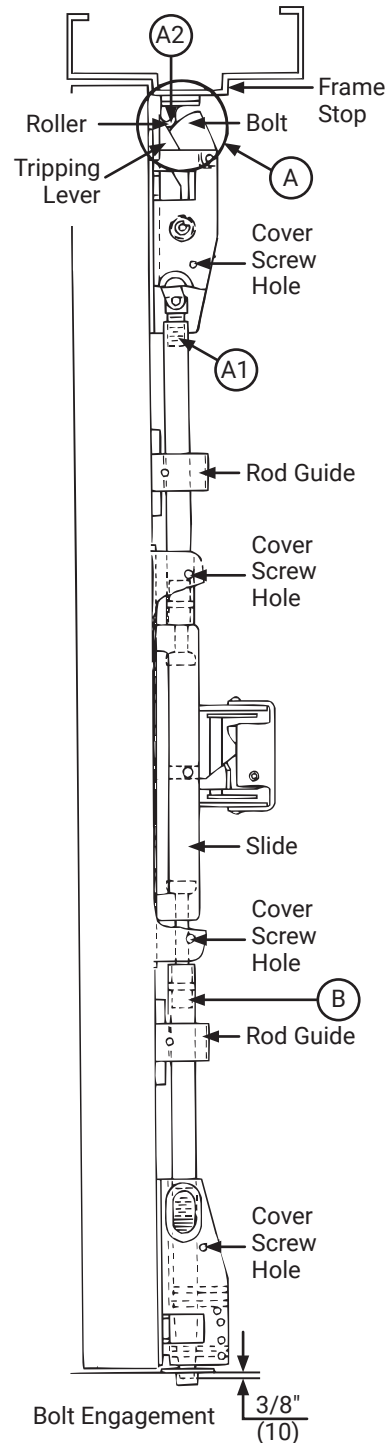
2. Verify location of pipe strike template. Prepare the strike hole and install the pipe strike. Set in place with appropriate bonding material.

3. With the door open, actuate pushpad to retract upper latch. Adjust bolt height by pulling the rod out of the guide and slide and rotating until the bolt clears the pipe strike by 1/8".

C. Test device action by Touchbar, by Trim, by Dogging.

D. Install covers.

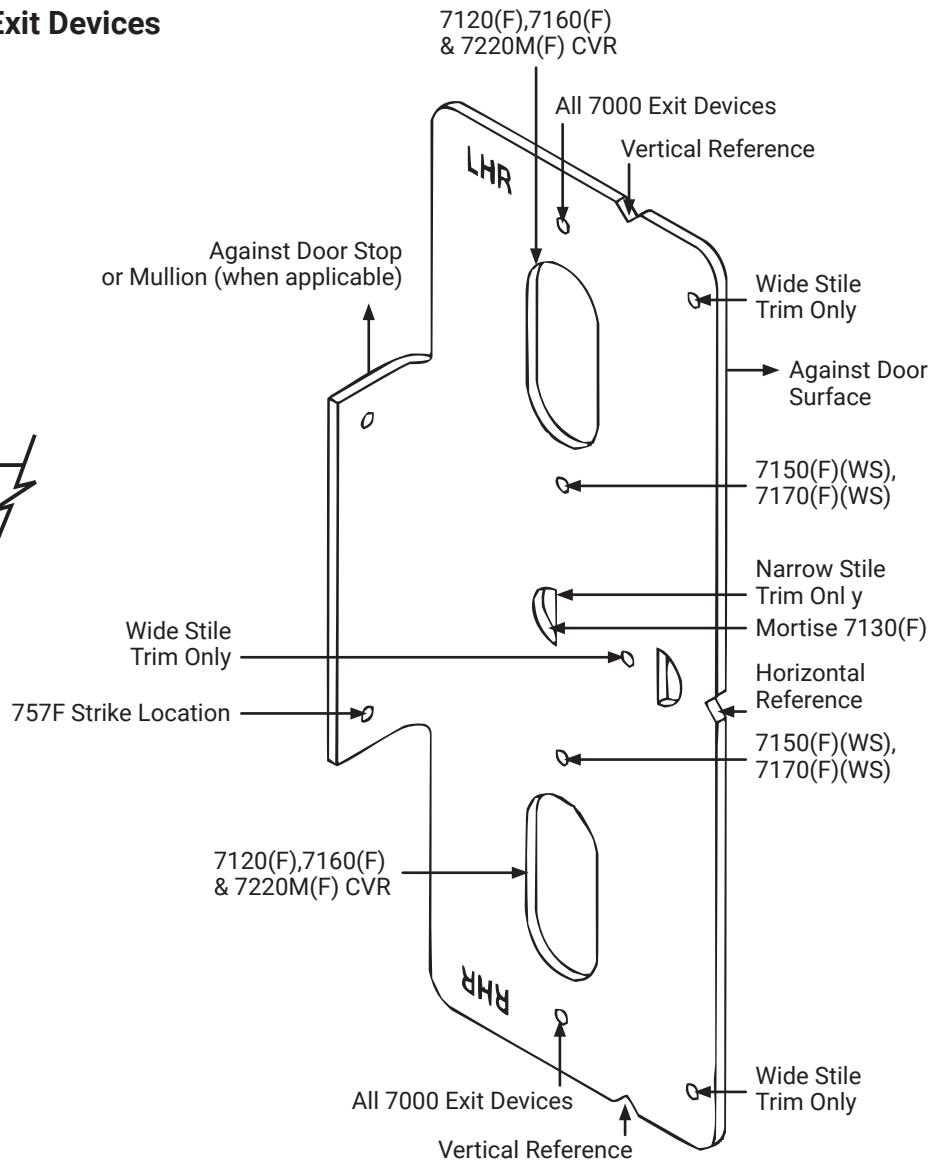
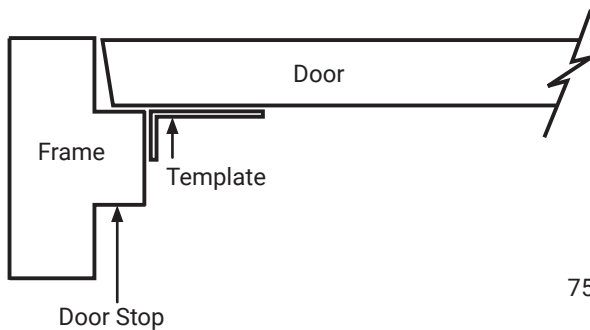
NOTE: Bottom Bolt will retract to 1/8" (3mm) above Floor Strike. Floor covering in the door path must be laid out accordingly.



6. Plastic Installation Template 7000 Exit Devices

For use in conjunction with instruction sheets packed with exit device.

Holes and slots are identified below by exit device series and trim. Prep door and frame for only those features required for the exit device being installed.



7. 7110 Template 791 Strike

NOTES:

1. For 7170 series devices omit the 791 strike and use this template with the 726 strike template (page 17).
2. Mark Φ rods line on door face. Note that the centerline of the rods and strikes, used to install top and bottom bolts, is not the vertical reference centerline.
3. For LBR devices, omit bottom latch and strike installation steps and see separate instructions for top latch and strike.
4. Unreinforced frames require that #10-24 blind rivet nuts (by others) be used to bolt strike. Frames are considered not reinforced when strike mounting screws cannot engage (3) full threads.
5. Dimensions are given in inches (mm).
6. **CAUTION:** Office copiers and facsimile machines may change the size of a drawing and make the template inaccurate to use as a door marker.

7110(F) & 7170(F) (LBR)

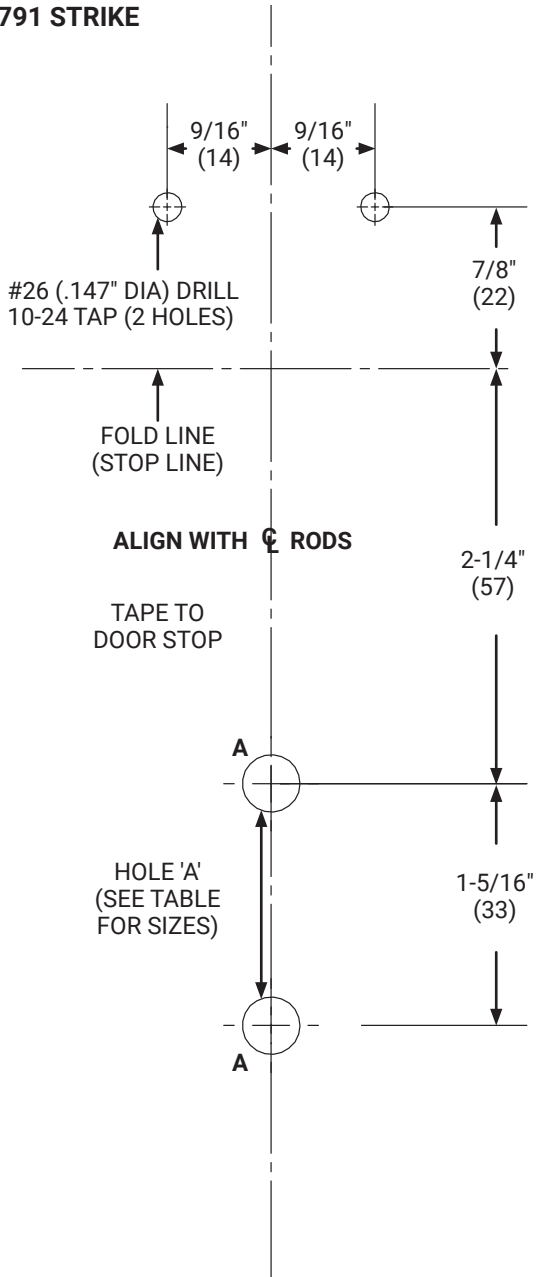
Surface Vertical Rod Exit Device Series

Installation Instructions

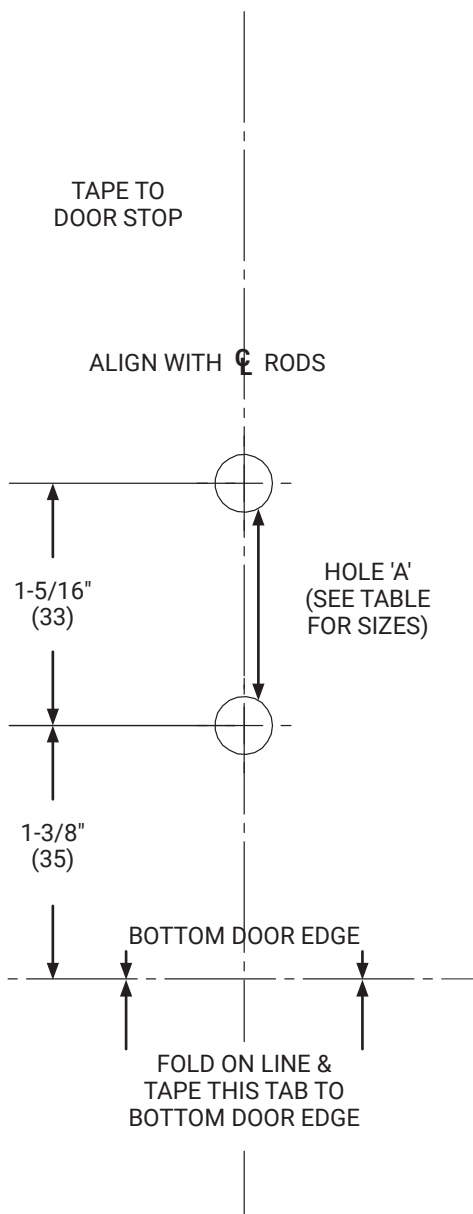
TOP LATCH & 791 STRIKE (7110 only)

BOTTOM BOLT CASE

TAPE TO
FRAME STOP



TAPE TO
DOOR STOP



CUT LINE



| DOOR/FRAME | FASTENER | HOLE "A" PREPARATION |
|------------------------------|----------------------------|--------------------------------------|
| Metal Reinforced | 1/4-20 PPHMS | Drill: #7 (.201 dia.) Tap: 1/4-20 |
| Thru Bolt (Metal or Wood) | 1/4-20 SNB | 3/8" (9.5mm) dia. Thru door |
| Wood Door | #14 x 1-1/2" PPH"AB"SMS | Drill: #9 (.196" dia.) |

ACCENTRA

ASSA ABLOY

7110(F) & 7170(F) (LBR)

Surface Vertical Rod Exit Device Series

Installation Instructions

7110(F) & 7170(F) (LBR)

Surface Vertical Rod Exit Device Series

Installation Instructions

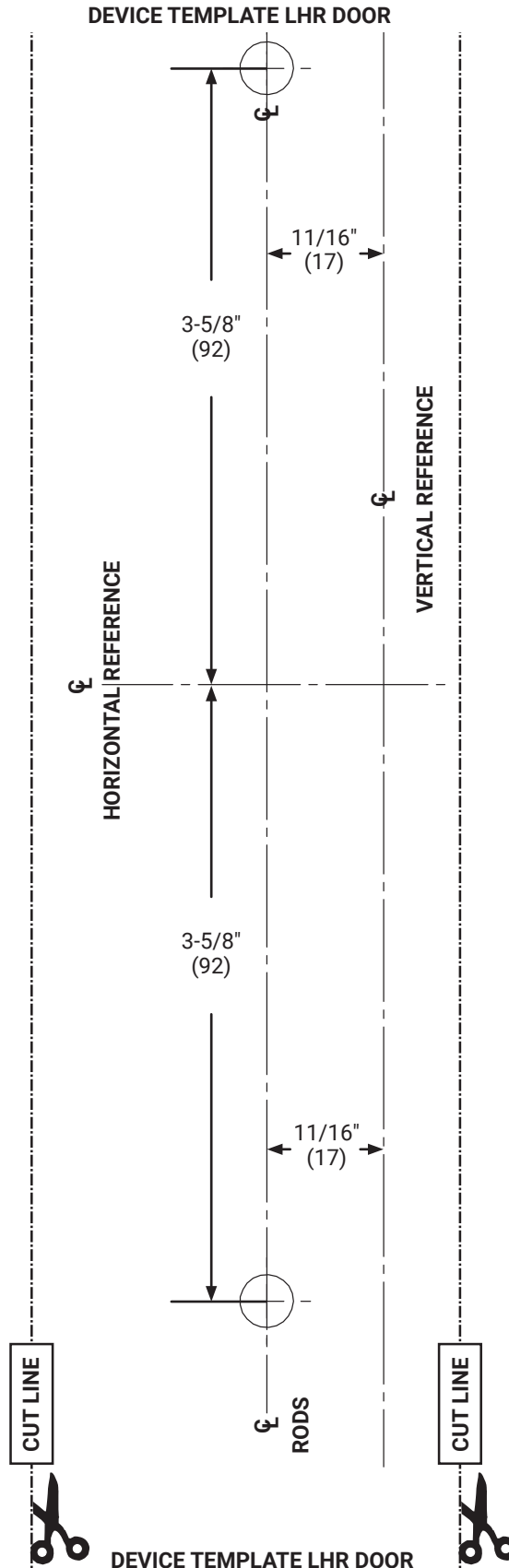
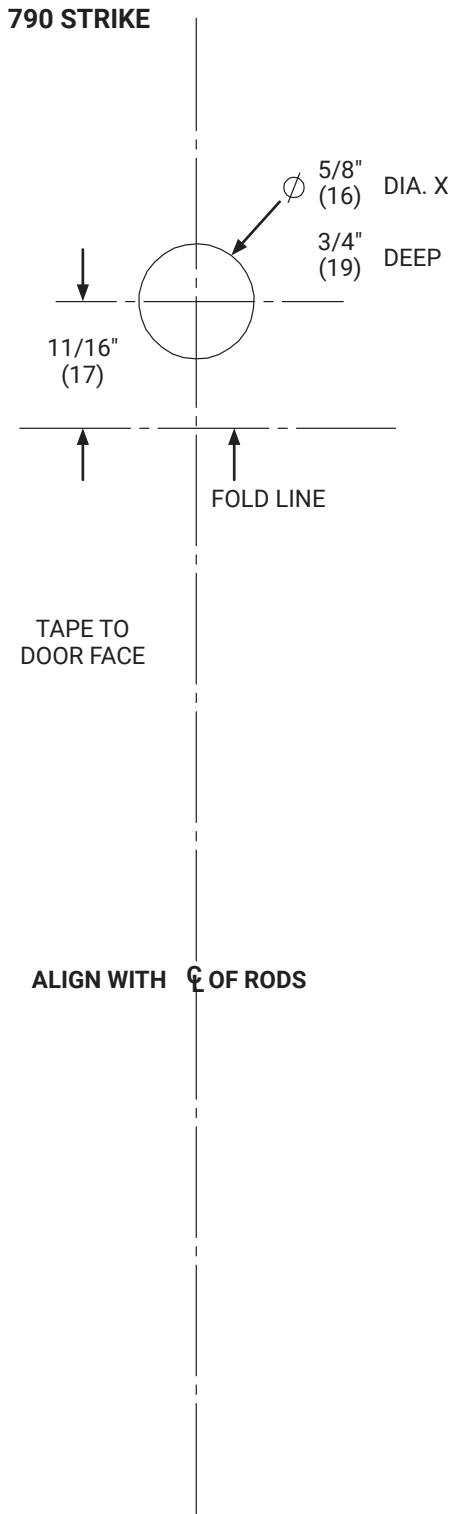
ACCENTRA

ASSA ABLOY

8. 7170 Template 790 Strike

NOTES:

1. For 7170 (LBR) Less Bottom Rod devices omit the 790 strike and use this template with the 726 strike template (page 17).
2. Mark C rods line on door face. Note that the centerline of the rods and strikes, used to install top and bottom bolts, is not the vertical reference centerline.
3. For LBR devices, omit bottom latch and strike installation steps and see separate instructions for top latch and strike.
4. Unreinforced frames require that #10-24 blind rivet nuts (by others) be used to bolt strike. Frames are considered not reinforced when strike mounting screws cannot engage (3) full threads.
5. Dimensions are given in inches (mm).
6. **CAUTION:** Office copiers and facsimile machines may change the size of a drawing and make the template inaccurate to use as a door marker.



7110(F) & 7170(F) (LBR)
Surface Vertical Rod Exit Device Series
Installation Instructions

ACCENTRA

ASSA ABLOY

9. 7170 Template 726 Strike

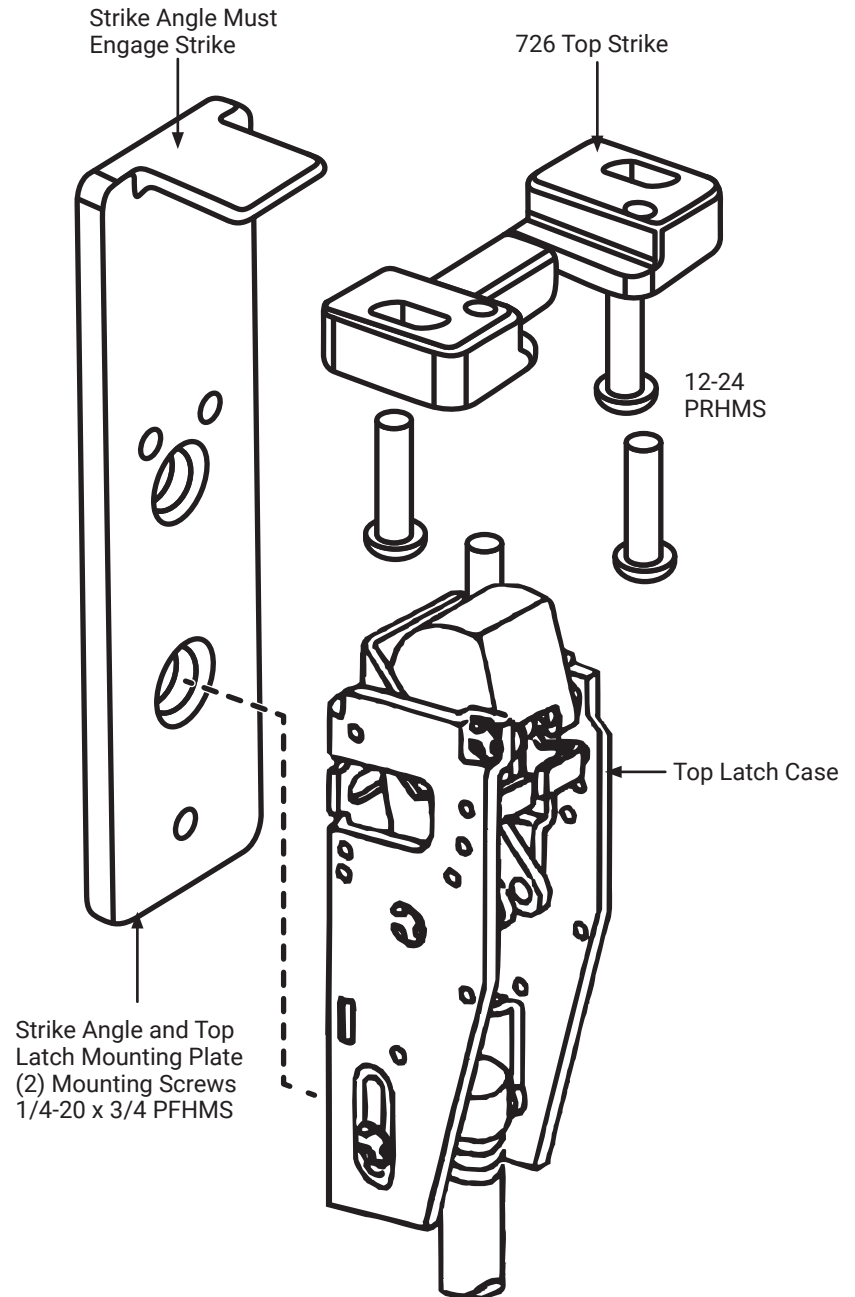
NOTES:

1. 726 Strike template used for 7170 series devices.
2. Mark rods line on door face. Note that the centerline of the rods and strikes used to install top and bottom bolts, is not the vertical reference centerline.
3. For LBR (Less Bottom Rod) devices, omit bottom latch and strike installation and install 726 Top Strike with strike angle and "popper" assembly supplied with device.

CAUTION: LBR devices should not be used where security is a primary concern.

1. **726 Top Strike Installation:** With door securely closed, tape template to the door and frame stop. Spot and prepare holes for 726 top strike using (2) 12-24 round head screws, provided. With template still in place, assemble upper mounting plate to the door with the strike angle engaged into the 726 top strike, as shown below. Adjust hole locations for the mounting plate, if required. Spot and prepare (2) outer holes, then prepare (2) inner holes as designed on the template.
2. Unreinforce frames require that 12-24 blind rivet nuts (by others) be used to bolt strike. Frames are not considered reinforced when strike mounting screws cannot engage (3) full threads.
3. Dimensions are given in inches (mm).

CAUTION: Office copiers and facsimile machines may change the size of a drawing and make the template inaccurate to use as a door marker.

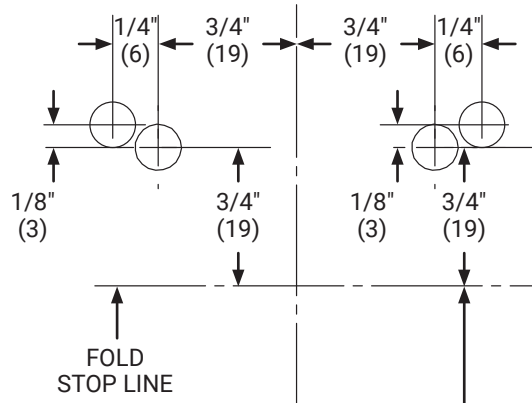


7110(F) & 7170(F) (LBR)

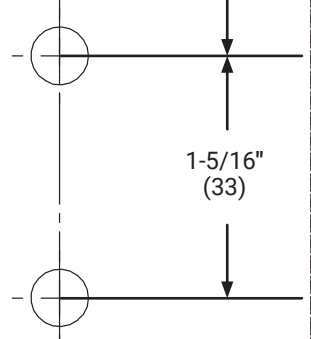
Surface Vertical Rod Exit Device Series

Installation Instructions

**TAPE THIS TAB TO FRAME STOP
726 STRIKE**



ALIGN WITH ϕ OF RODS



| DOOR | FASTENER | HOLE "A" |
|-------------------------|--------------|---|
| Metal Reinforced | Screw | 1/4-20 Tap |
| Hollow Metal & Aluminum | Optional SNB | 5/16" (8) Dia Inside Door Face 3/8" (10) Dia Outside Door Face |
| Aluminum | SNB | Thru Door |

CUT LINE



**TAPE TO DOOR
TOP LATCH & STRIKE**

1-855-557-5078 Ext. 2 • www.accentra-assaabloy.com

Copyright © 2018, 2020, 2021, 2023, 2024, ASSA ABLOY ACCENTRA™ Access and Egress Hardware Group, Inc. All rights reserved. Reproduction in whole or in part without the express written permission of ASSA ABLOY Access and Egress Hardware Group, Inc. is prohibited.

ACCENTRA

ASSA ABLOY

7110(F) & 7170(F) (LBR)

**Surface Vertical Rod Exit Device Series
Installation Instructions**

7110(F) & 7170(F) (LBR)
Surface Vertical Rod Exit Device Series
Installation Instructions

ACCENTRA

ASSA ABLOY

