

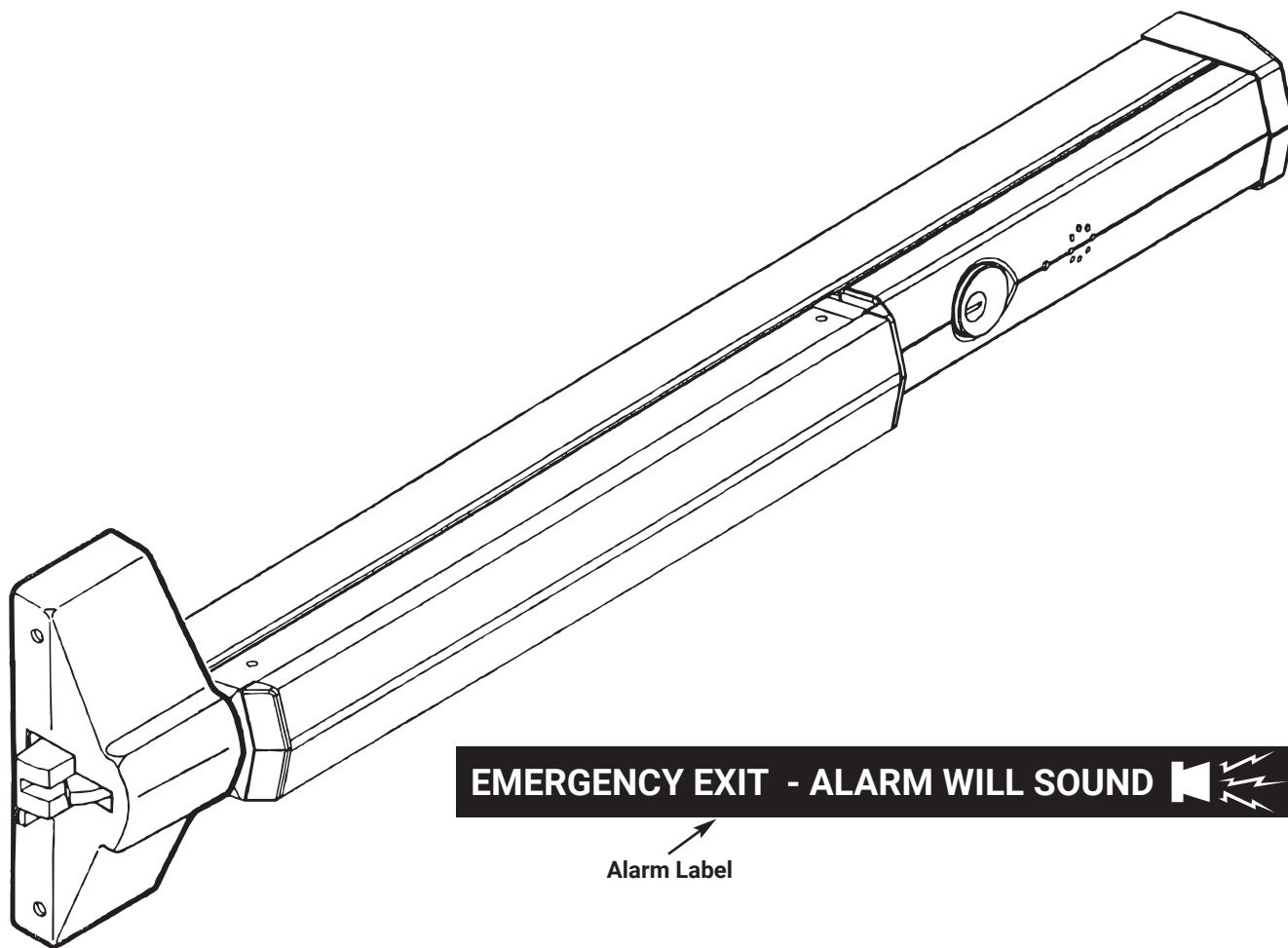
# 7000-A Series Alarm Exit Devices

## 7116 Alarm Retrofit Kit

### Installation Instructions

ACCENTRA

ASSA ABLOY



#### **WARNING**

This product can expose you to lead which is known to the state of California to cause cancer and birth defects or other reproductive harm. For more information go to [www.P65warnings.ca.gov](http://www.P65warnings.ca.gov).

#### **WARNING**

Attention Installer: Any retrofit or other field modification to a fire rated opening can potentially impact the fire rating of the opening, and ASSA ABLOY makes no representations or warranties concerning what such impact may be in any specific situation. When retrofitting any portion of an existing fire-rated opening, or specifying and installing a new fire-rated opening, please consult with a code specialist or local code official (Authority Having Jurisdiction) to ensure compliance with all applicable codes and ratings.

80-9470-7116-000 04/24

1-855-557-5078 Ext. 2 • [www.accentra-assaabloy.com](http://www.accentra-assaabloy.com)

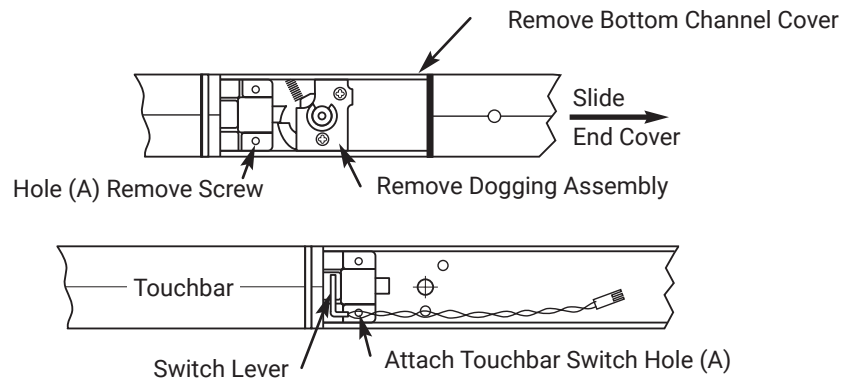
Copyright © 2012, 2023, 2024, ASSA ABLOY ACCENTRA™ Access and Egress Hardware Group, Inc. All rights reserved.  
Reproduction in whole or in part without the express written permission of ASSA ABLOY Access and Egress Hardware Group, Inc. is prohibited.

Experience a safer  
and more open world

## EXIT ALARM INSTRUCTIONS

### 1. Install Touchbar Switch Retrofit Applications

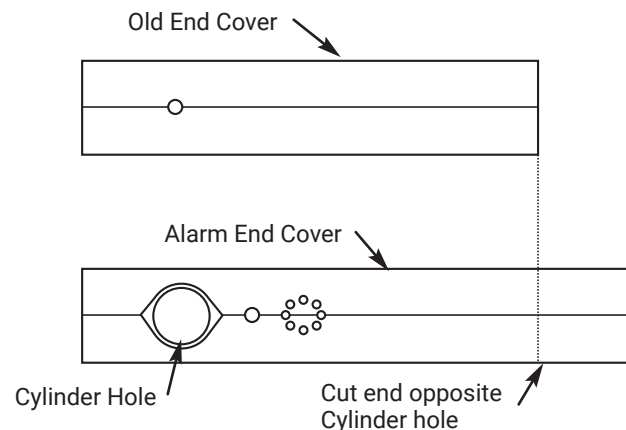
1. Remove Device from door.
2. Remove End Cover and black End Plate. Discard End Plate.
3. If Device has dogging, remove dogging assembly with (2) screws.
4. Remove Bottom Channel Cover from Device.
5. Locate rear touchbar mounting hole (A) as indicated below. Remove screw, if one is assembled, and install in opposite hole.
6. Remove screw from Touchbar Switch Bracket and align screw hole over touchbar mounting hole (A). Reinstall screw from bottom of channel to secure. Switch Bracket.
7. Verify that moving the touchbar causes the switch to trip. Adjust switch lever as required.
8. Replace Bottom Channel Cover.



### 2. Size End Cover Only - All Except SVR

1. For New installations, follow procedures in Device installation instructions.
2. For RETROFIT applications, cut new Alarm End Cover to same length as old End Cover.
3. Cut Alarm End Cover on end opposite Cylinder hole as shown.

**NOTE:** Cover can be cut to a minimum length of 9-1/4" (235 mm)



# 7000-A Series Alarm Exit Devices

## 7116 Alarm Retrofit Kit

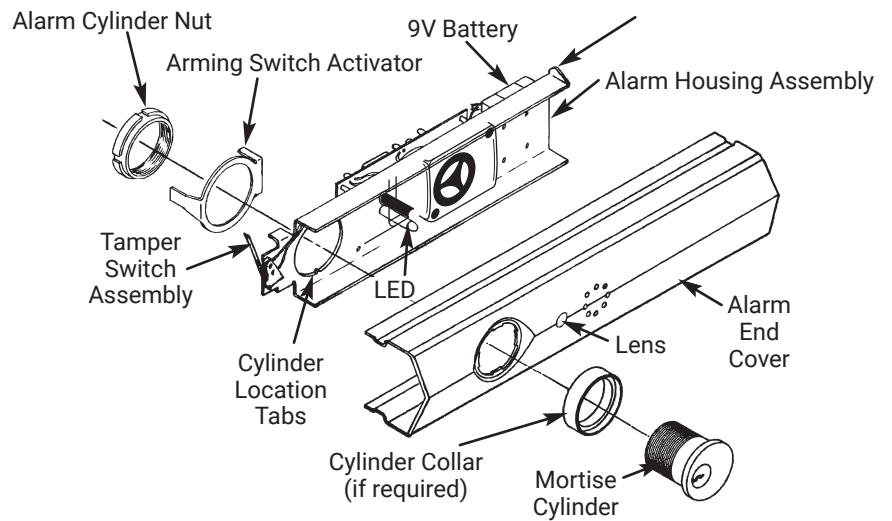
### Installation Instructions

ACCENTRA

ASSA ABLOY

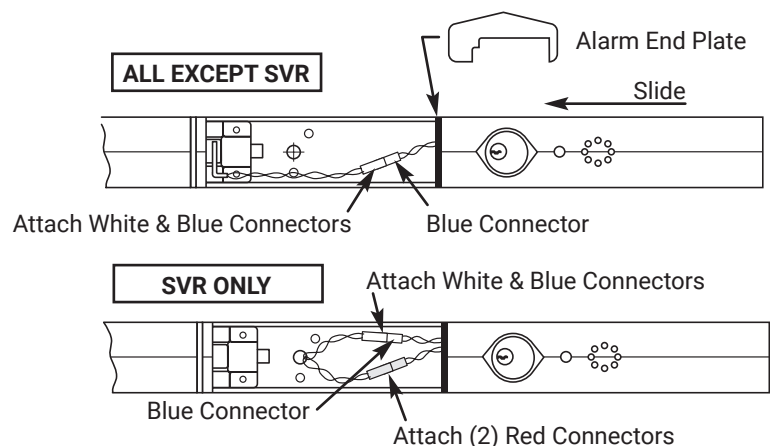
### 3. Assemble Alarm End Cover

1. Slide Alarm Housing Assembly into Alarm End Cover, making sure tabs are engaged and LED is inserted into lens.
2. Insert Cylinder, with Ring if required, into Alarm End Cover aligning cylinder grooves with locating tabs on housing assembly.  
**NOTE:** Cylinder keyway to be positioned towards Touchbar.
3. Install Arming Switch Activator over Cylinder so that Activator legs are on each side of toggle switch.
4. Secure parts with Alarm Cylinder Nut, making sure Activator rotates freely. Check that rotating the key causes Activator to trip switch in both directions.



### 4. Install Alarm Assembly

1. Install 9V Battery with correct polarity. Verify all connections and switch settings. (See Tables 1, 2 and 3 on Page 5).
2. ALL EXCEPT SVR
  - a. Attach white & blue connectors.
  - b. SVR FACTORY-WIRED ONLY: Attach white & blue connectors and (2) red connectors.
3. Install Alarm End Plate while sliding Alarm End Cover onto Device. Make sure wires are not pinched or cut.
4. Install Device on door and check alarm functions.
5. Install Alarm Label on Touchbar or on door above device.



80-9470-7116-000 04/24

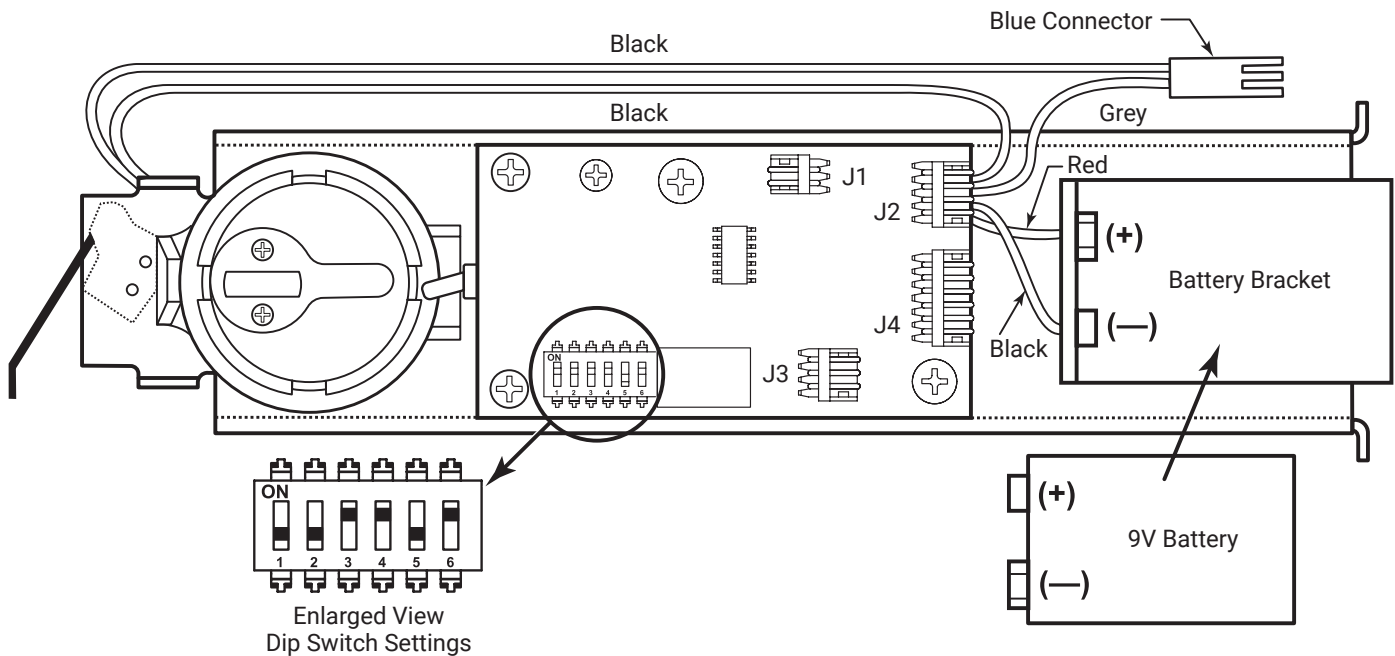
1-855-557-5078 Ext. 2 • [www.accentra-assaabloy.com](http://www.accentra-assaabloy.com)

Copyright © 2012, 2023, 2024, ASSA ABLOY ACCENTRA™ Access and Egress Hardware Group, Inc. All rights reserved. Reproduction in whole or in part without the express written permission of ASSA ABLOY Access and Egress Hardware Group, Inc. is prohibited.

Experience a safer  
and more open world

**ALARM FUNCTION AS SHIPPED**

1. Upon arming, LED will flash **AMBER** and the device will allow egress without triggering alarm for 20 seconds.
2. After 20 seconds, alarm will chirp one time and the device will be **ARMED**.
3. The LED will flash **RED** every 30 seconds, indicating the device is **ARMED**.
4. Once the device is ARMED, egress will result in an alarm sound that will stop only when the device is **RE-ARMED** by key or remote.
5. **Low Battery Indicator** - Alarm will chirp every 30 seconds, indicating battery needs to be replaced.



**NOTE:**

- Alarm PC Board has Dip Switches DS-1, 2, 3, 4, and 5 factory preset per Tables 1, 2, and 3 shown on Page 5.
- Dip Switch DS-6 is for "hard wire" configurations and setting does not affect stand-alone battery operation.

# 7000-A Series Alarm Exit Devices

## 7116 Alarm Retrofit Kit

### Installation Instructions

**ACCENTRA**

**ASSA ABLOY**

<p><b>REX and Passage Time Delay</b> When the device is initially <b>ARMED</b> by key, the <b>LED</b> will flash <b>AMBER</b> and allow egress for a time defined in Table 1.</p>	TABLE 1		
	DS-1	DS-2	Timer Delay
	*Off	*Off	7 Seconds
	Off	On	10 Seconds
	On	Off	15 Seconds
	On	On	20 Seconds

<p><b>Automatic Alarm Reset</b> The alarm can be set so that it will reset itself after a violation has occurred per Table 2. If the device automatically resets, the indicator light will flash <b>GREEN</b> every 30 seconds instead of <b>RED</b> to indicate a violation has occurred.</p>	TABLE 2		
	DS-3	DS-4	Reset Time
	Off	Off	2 Minutes
	Off	On	5 Minutes
	On	Off	10 Minutes
	*On	*On	No Auto Reset

<p><b>Armed and Violation LED Color Selection</b> Device is shipped standard, per Table 3, so that <b>RED LED</b> flashes every 30 seconds when device is <b>ARMED</b>, and flashes <b>GREEN</b> every 30 seconds under auto reset, when door has been violated.</p>	TABLE 3		
	DS-5	Armed LED Color	Armed Violation LED Color
	*Off	Red	Green
On	Green	Red	

\* Factory Preset

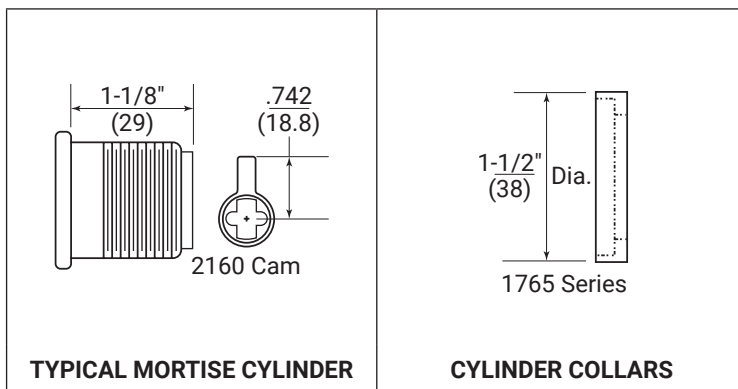
80-9470-7116-000 04/24

1-855-557-5078 Ext. 2 • www.accentra-assaabloy.com

Copyright © 2012, 2023, 2024, ASSA ABLOY ACCENTRA™ Access and Egress Hardware Group, Inc. All rights reserved. Reproduction in whole or in part without the express written permission of ASSA ABLOY Access and Egress Hardware Group, Inc. is prohibited.

Experience a safer  
and more open world

Problem	Solution
<ul style="list-style-type: none"> <li>• Alarm will not sound</li> </ul>	<ul style="list-style-type: none"> <li>• Battery is not connected.</li> <li>• Battery needs replacing.</li> <li>• Alarm in not ARMED. Turn key clockwise.</li> </ul>
<ul style="list-style-type: none"> <li>• Alarm sounds when keyswitch is activated.</li> </ul>	<ul style="list-style-type: none"> <li>• Touchbar Switch is not installed correctly. Verify that switch opens when Touchbar is depressed, and closes when Touchbar is released. Position switch lever as necessary.</li> <li>• Tamper Switch is not closing when Alarm End Cover is installed. Make sure cover is installed completely.</li> <li>• Touchbar is bound and not traveling smoothly. Check by pulling on Touchbar and arming.</li> <li>• J2 connector not installed, or loose.</li> </ul>
<ul style="list-style-type: none"> <li>• Alarm chirps every 30 seconds.</li> </ul>	<ul style="list-style-type: none"> <li>• Low battery indicator, replace battery.</li> </ul>
<ul style="list-style-type: none"> <li>• ARMED indicator LED, wrong color</li> </ul>	<ul style="list-style-type: none"> <li>• Change position of DS-5 Dip Switch. "OFF" for RED ARMED indicator. "ON" for GREEN ARMED indicator.</li> </ul>



**Cylinders and Collars**

Use standard 1-1/8" mortise cylinder with 2160 cam. Number 2153 x 1-1/8" cylinder. Cylinder Collar is not required. Cylinder Collars are required for use with cylinders longer than 1-1/8".

# 7000-A Series Alarm Exit Devices

## 7116 Alarm Retrofit Kit

### Installation Instructions

**ACCENTRA**

**ASSA ABLOY**

