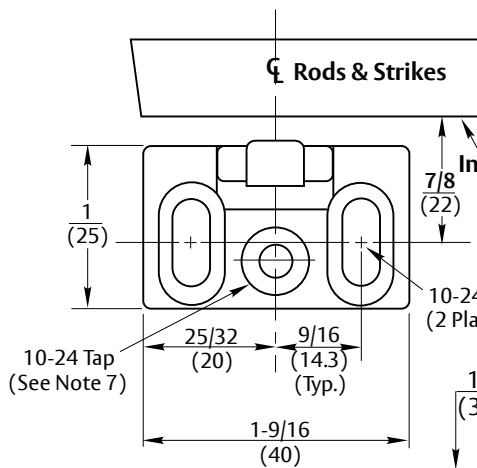
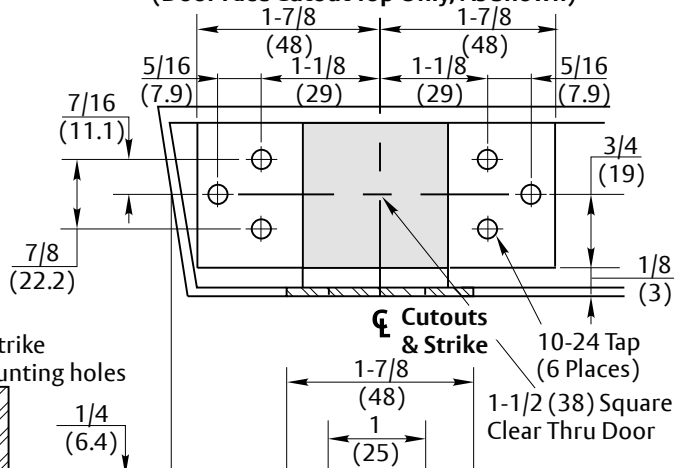


791 STRIKE DETAIL



Reinforcement for 791 Strike (See Note 6)

Typical Top & Bottom Door Detail (Door Face Cutout Top Only, As Shown)



Notes:

1. Do not scale drawing.
2. Dimensions are in inches (mm).
3. LHR door shown. Preparation is typical for both door hands.
4. Minimum door stile width: 4-1/2 (114).
5. Prepare mounting holes when installing the device.
6. Unreinforced frames require using blind rivet nuts (by others) to mount the strike.
7. This hole MUST be field located using physical part as template, after installation is complete and device is fully operational.
8. For recommended door reinforcements see template 7400-0000. Unreinforced doors require SNB option to mount the device components.
9. Holes for optional SNB: 9/32 (7.00) dia., inside door face; 3/8 (9.50) dia., outside door face.
10. Provide door stiffeners, as needed to prevent door collapse due to installation with power tools, door use, or abuse.
11. Device mount to hinge stile (not shown) requires hole location and preparation during device installation.
12. For outside trim preparation see appropriate trim template.
13. For electrical devices (suffixes "-B", "-G", "-O", "-P", "-S") also see template 7477-0001.
14. 5/8 (16.00) diameter x 3/4 (19) deep hole in floor, required.
15. Bottom bolt should retract to 1/8 (3.2) above floor strike. Floor coverings in the door path must be laid accordingly.
16. Maximum thickness 5/32 (4.0) when outside escutcheon trim is used.
17. Maximum Opening Height: 8' (2.44m).

Reinforcement By Door Mfr. (Typ.)

Lockstile

Vertical Reference

Horizontal Reference (Device Centerline)

39-15/16 (1014)

Finished Floor

790 Floor Strike & Bolt (See Notes 14 & 15)

RESPONSIBILITY
DOOR AND FRAME MANUFACTURERS ARE RESPONSIBLE FOR PROVIDING ADEQUATE CONSTRUCTION OR REINFORCEMENTS FOR PROPER INSTALLATION OF HARDWARE SHOWN. ALL ARCHITECTURAL BUILDERS HARDWARE MUST BE INSTALLED ON PROPERLY REINFORCED DOORS AND FRAMES, REGARDLESS OF TYPE, MATERIAL, OR METHOD OF CONSTRUCTION.

7120, 7125 & 7120F
Concealed Vertical Rod Exit Devices
Standard Application for Metal Door and Frame
Contact us for support at 1-855-577-5078.

ASSA ABLOY

SUPSEDES	DO NOT SCALE DRAWING	
TEMPLATE NUMBER	7470-0020	DATE 01-24