

7130(F) Series

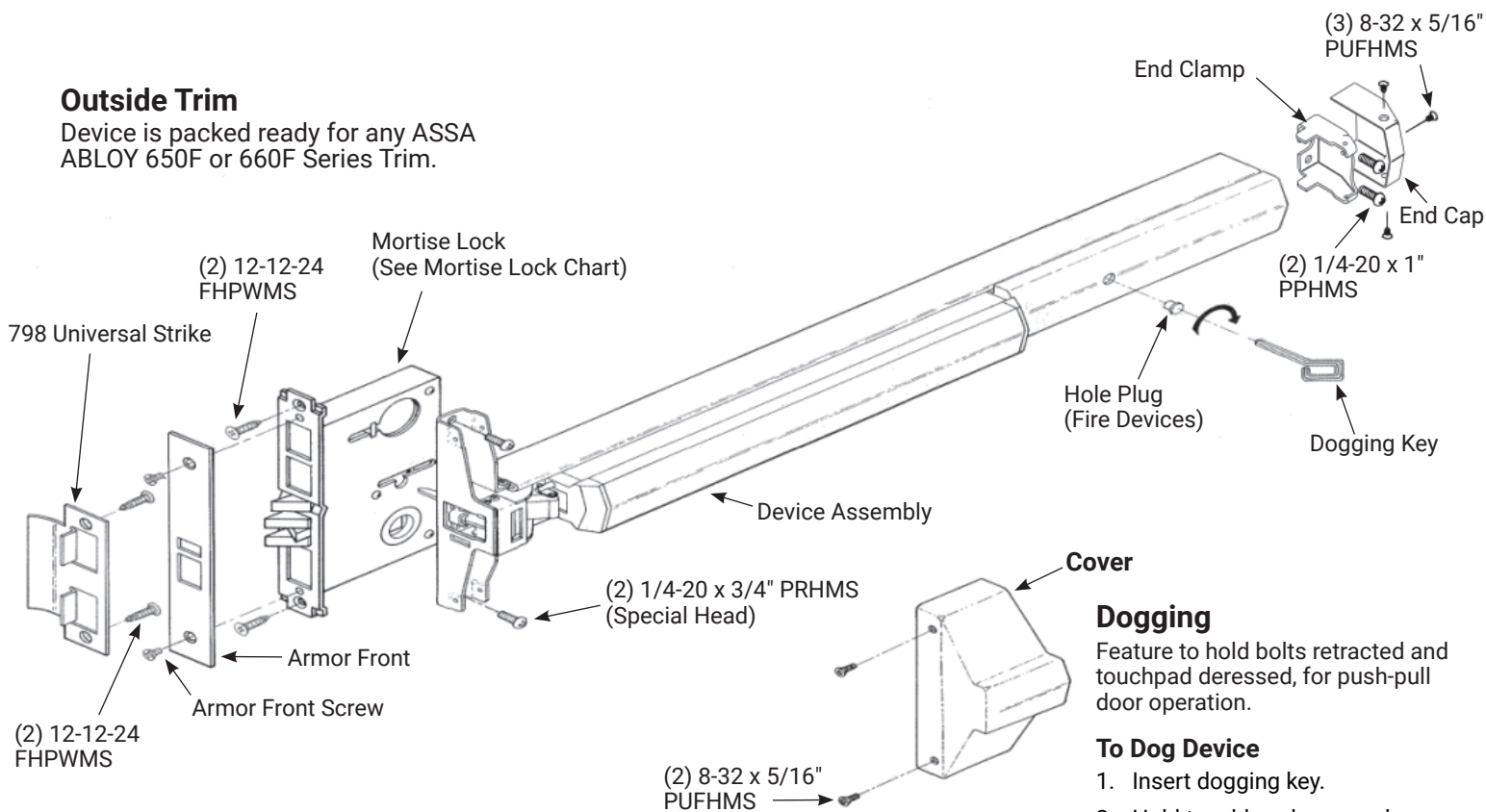
Mortise Exit Devices

Installation Instructions

ACCENTRA
ASSA ABLOY

Outside Trim

Device is packed ready for any ASSA ABLOY 650F or 660F Series Trim.



Dogging

Feature to hold bolts retracted and touchpad depressed, for push-pull door operation.

To Dog Device

1. Insert dogging key.
2. Hold touchbar depressed.
3. Turn key 1/4 turn clockwise.

Mortise Lock Chart

| Function | Lock Number | |
|--------------------------------|-------------|------------|
| | Panic Label | Fire Label |
| Exit Only F02 F03 (Knob) | 35K | 35KF |
| F03 (Lever) | 35L | 35LF |
| F05 | 38T | 38TF |
| F06 (Knob) | 38K | 38KF |
| F08 (Lever) | 38L | 38LF |

| ABBREVIATION | FASTENER DESCRIPTION |
|--------------|--|
| PPHMS | PHILLIPS PAN HEAD MACHINE SCREW |
| PRHMS | PHILLIPS ROUND HEAD MACHINE SCREW |
| FHPWMS | FLAT HEAD PHILLIPS WOOD/MACHINE SCREW |
| PUFHMS | PHILLIPS UNDER CUT FLAT HEAD MACHINE SCREW |

⚠ WARNING

This product can expose you to lead which is known to the state of California to cause cancer and birth defects or other reproductive harm. For more information go to www.P65warnings.ca.gov.

⚠ WARNING

Attention Installer: Any retrofit or other field modification to a fire rated opening can potentially impact the fire rating of the opening, and ASSA ABLOY makes no representations or warranties concerning what such impact may be in any specific situation. When retrofitting any portion of an existing fire-rated opening, or specifying and installing a new fire-rated opening, please consult with a code specialist or local code official (Authority Having Jurisdiction) to ensure compliance with all applicable codes and ratings.

80-9470-0030-000 04/24

1-855-557-5078 Ext. 2 • www.accentra-assaabloy.com

Copyright © 1996, 2013, 2023, 2024, ASSA ABLOY ACCENTRA™ Access and Egress Hardware Group, Inc. All rights reserved. Reproduction in whole or in part without the express written permission of ASSA ABLOY Access and Egress Hardware Group, Inc. is prohibited.

Experience a safer
and more open world

To Change Hand

For Metal Composite and Wood Doors Handed Mortise Lock

(See "To Change Mortise Lock Hand", below)

Maintenance

1. Periodically remove covers and coat mechanisms with a silicone base lubricant. This is particularly required in corrosive environments for proper product function.
2. Check mounting fasteners periodically. Retighten if found loose. Apply screw locking compound (available at automotive part stores) or change part fasteners if screws continue to back up.

Shim Kit Option

List Number: 723W Black Finish

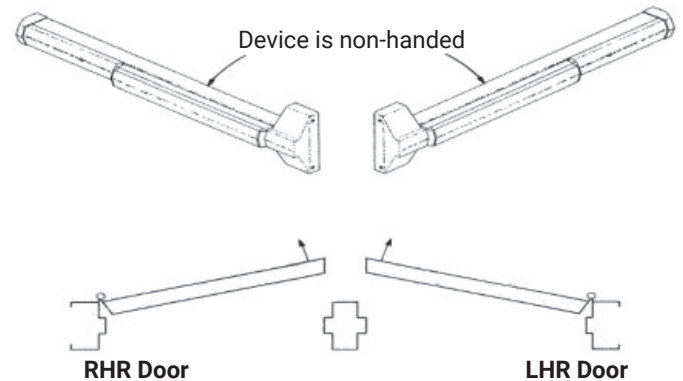
Kit consists of Latch Head Shim (Device Cover seats on shim) and End Clamp Shim (End Cap seats on shim).

Each shim is 1/8 (3.2) thick. More than two Shim Kits require longer device mounting screws (not included).

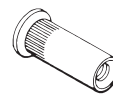
To Change Mortise Lock Hand

Typical Lock Body with Cover removed and showing only components relevant to lock handing. Other components vary according to function.

To change lock hand remove, flip latchbolt and guardbolt and reinstall.



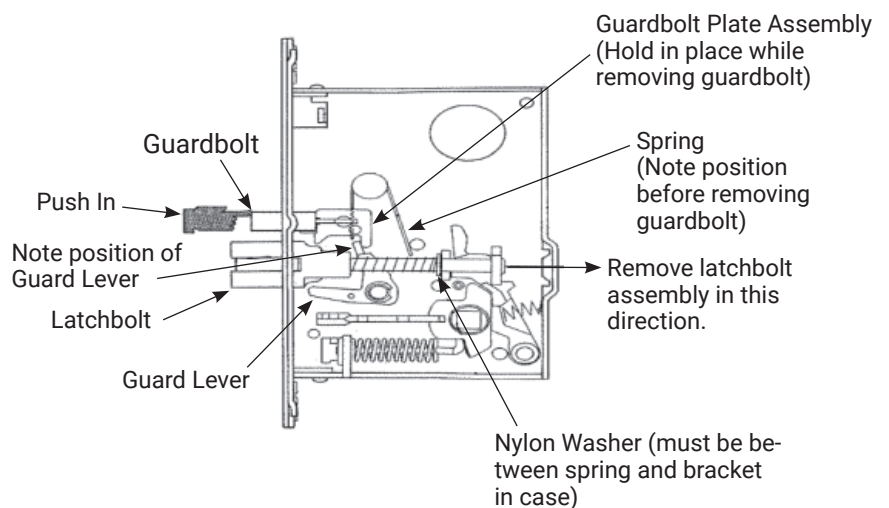
1/4 Sex Nut Option



Recommended for unreinforced doors.

Specify Finish

| Device | Quantity | Size | Part Number |
|-----------------|----------|--------|--------------|
| All (No Trim) | 4 | 1/4-20 | 66-0001-1745 |
| All (With Trim) | 2 | | |



**7130(F) Series
Mortise Exit Devices
Installation Instructions**



Check Before Starting

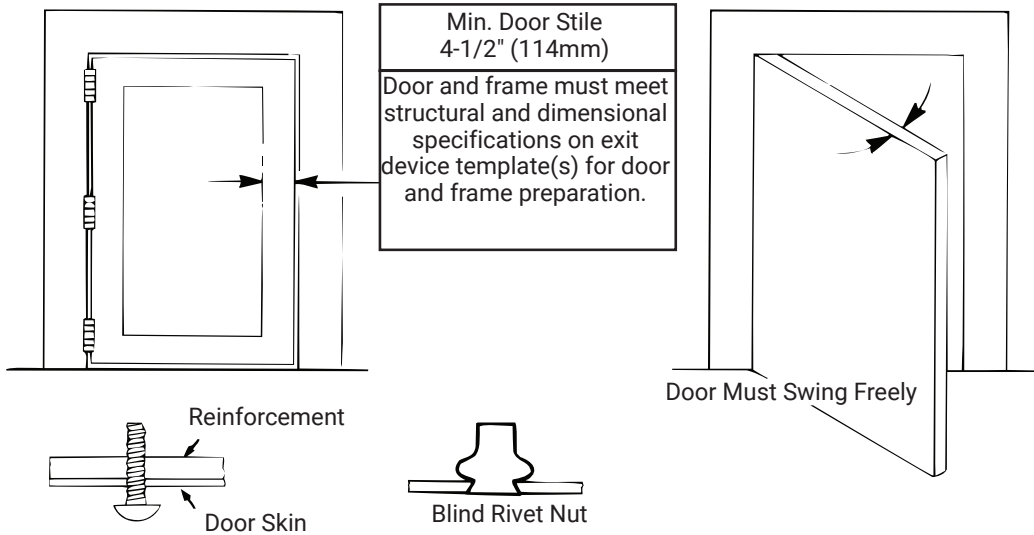
Unreinforced Doors or Frames

Doors and Frames with walls having a structural thickness (metal skin plus reinforcement or solid hardwood) to engage less than (3) full screw threads are considered unreinforced.

Unreinforced Doors: Use SNB (sex nuts and bolts).

Unreinforced Frames: Use Blind Rivet Nuts.

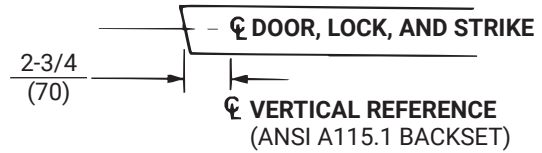
Recommended fasteners for unreinforced openings are not necessarily supplied by ASSA ABLOY Security, Inc.



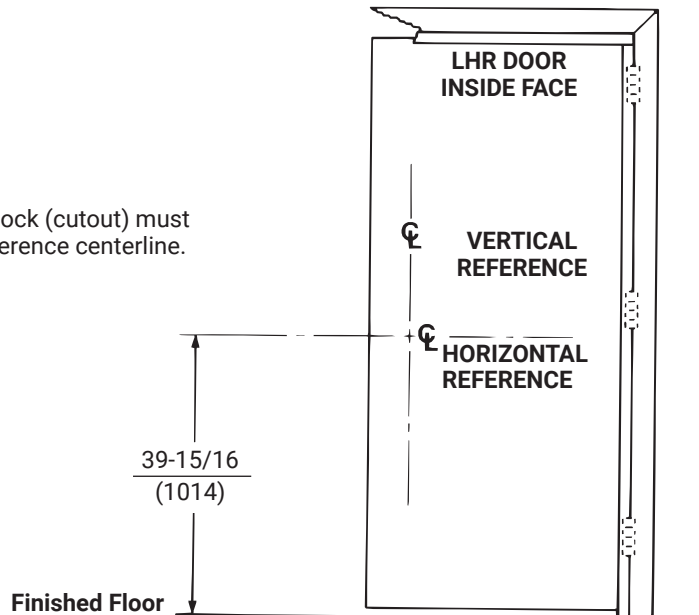
1. Mark Door

Locate and Mark Horizontal and Vertical Reference Centerlines as shown.

LHR door shown preparation is typical for both door hands.



NOTE: Centerline of Lock (cutout) must match Horizontal Reference centerline.



80-9470-0030-000 04/24

2. Prepare Door and Frame

Factory prepared cutouts with field drilled mounting holes are recommended. If door (lock) and frame (strike) have to be mortised in the field, do it before continuing (follow instructions on Installation Template).

Spot and Prepare Mounting Holes as Follows:

- A. Locate and tape Trim Template to door. (See instructions packed with Trim.)
- B. Locate "Device Template" aligning VERTICAL REFERENCE and HORIZONTAL REFERENCE lines on door and template. Tape template to door face.

(1) Slot 1/2" (12.7) Dia. x 1" (25.4) on centers thru inside door face and (2) Device holes for 1/4-20 Machine Screws*, or for 3/8" (9.5) Dia. Sex nuts and Bolts.

(* Metal reinforced doors only.)

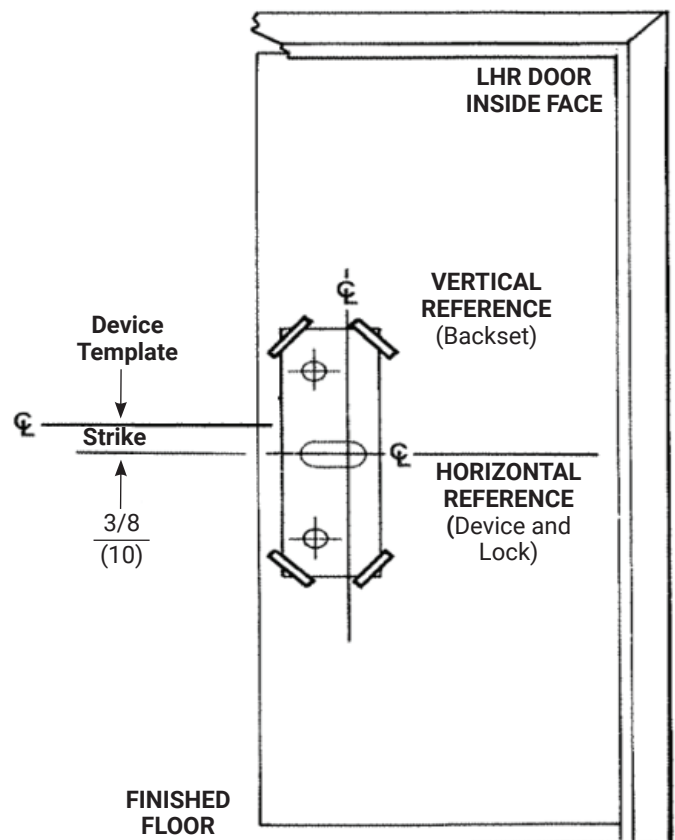
- C. Insert lock into mortise, adjust front for door edge (beveled or flat)*.

Lock holes for 12-24 Machine Screws or for #12 Wood Screws.

NOTE: Lock base front has to be field tightened in place, (two screws, each on lock case top and bottom).

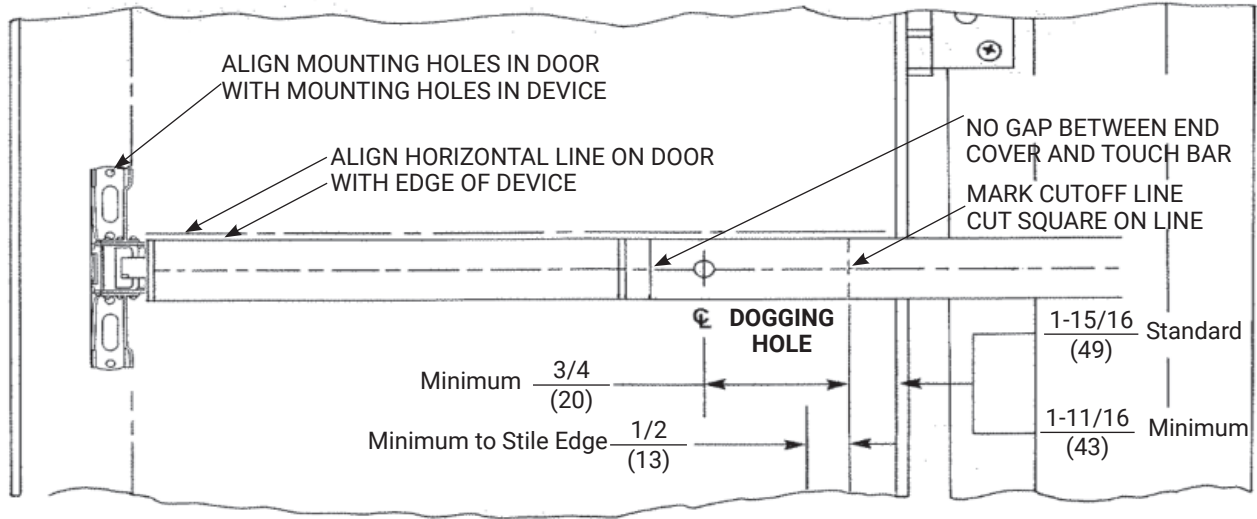
- D. Seat strike in frame cutout.

(2) Strike holes for 12-24 Machine Screws, or for #12 Wood Screws.



3. Size Device

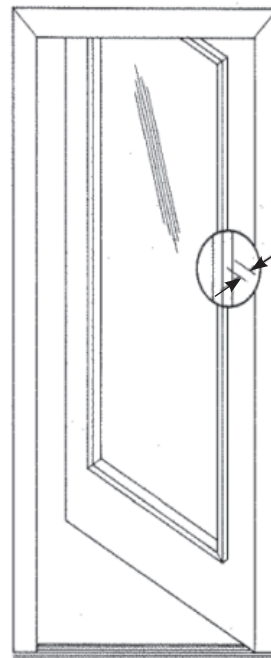
Device must be field cut to size, unless standard opening and device are 36" (0.91m).



4. Clear Raised Door Molding

Device must seat flush on door surface, or on shims that keep it parallel to door face.

One Shim Kit #723W required for each $\frac{1}{8}$ " (3mm) of device lift needed. Two Shim Kits Maximum for standard device in $1\text{-}\frac{3}{4}$ " (44) door. For thicker doors, consult the factory.



One Shim Kit #723W per $\frac{1}{8}$ " (3mm) of raised molding.

5. Install Components

A. Install Lock

Lock in hand, depress guardbolt. Check that latchbolt is deadlocked.

Check that latchbolt lever (and cylinder lever, hubs, and thumbpiece lever, if relevant) operate the lock freely.

Insert Lock Body into door cavity. Fasten to door edge (2 FHPWMS)

NOTE: Make sure that door reinforcing clips or doorwalls support lock immovable (restricting rocking motion).

B. Install Armor Front

Fit over bolts and fasten to lock base front (2 PUFHMS). Check that bolts retract and extend freely.

C. Install Strike

Seat in place (lip bend away from opening). Fasten to frame (2 FHPWMS).

D. Install Trim

Follow instructions packed with trim.

E. Install Device

Seat Bar in place (Device finger must engage latchbolt lever, thru slot in lock case/cover, as shown in Detail 1). Fasten Device Head (2 PRHMS or SNB).

Set Bar level. Locate End Clamp holes.

Prepare end Clamp mounting holes. Fasten End Clamp in place.

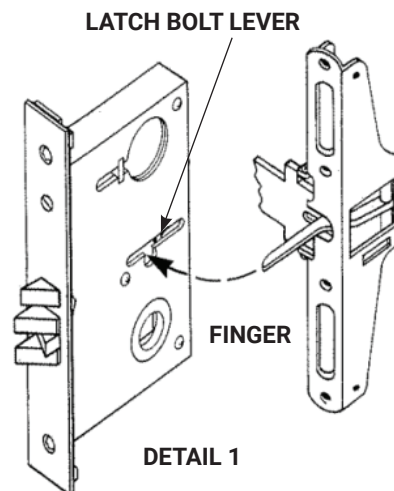
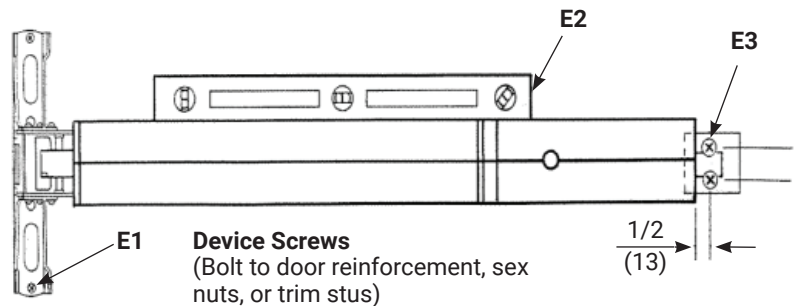
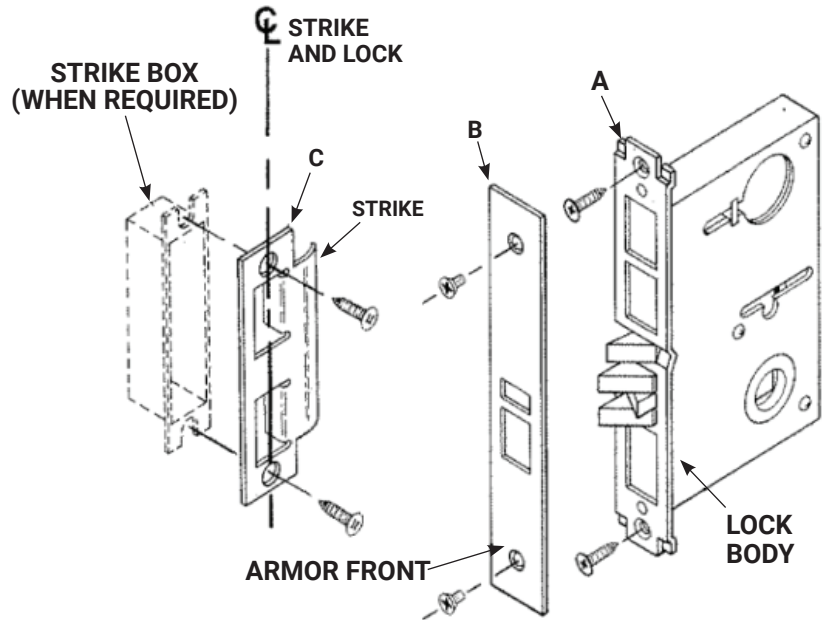
F. Check Operation

Depress touchbar (bolt must retract). Release touchbar (bolt must extend).

1. Actuate trim (bolt must retract). Release trim actuator (bolt must extend).
2. (NOT FOR FIRE DEVICES). Depress touchbar, turn dogging key clockwise (bar must remain depressed, bolt must remain retracted). Turn dogging key counterclockwise (bar and bolt must return to extended position).
3. Close door. Latchbolt should fully engage into strike cavity, guardbolt should retract over strike ramp. Door should not rattle.

NOTE: When resulting operation if faulty, check first for visible binding or interference. If there is no apparent reason for the fault, remove item from the door and recheck its operation before assuming that it is defective.

G. Tighten all mounting screws.



6. Install Head Cover and End Cap

