

7200 Rim Exit Devices

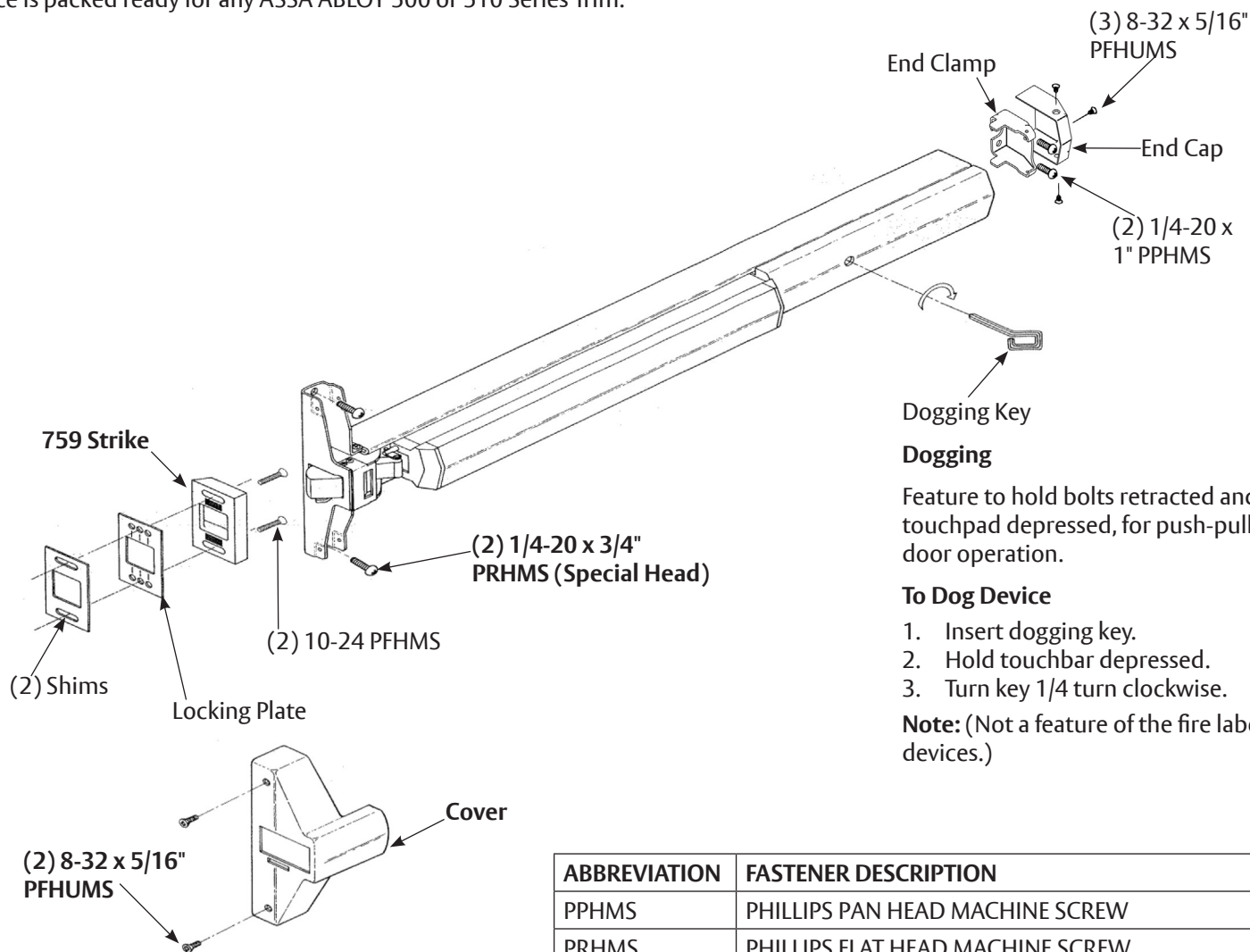
ASSA ABLOY

Single Doors or Pairs with M300 Mullion

Installation Instructions

Outside Trim

Device is packed ready for any ASSA ABLOY 500 or 510 Series Trim.



Dogging

Feature to hold bolts retracted and touchpad depressed, for push-pull door operation.

To Dog Device

1. Insert dogging key.
2. Hold touchbar depressed.
3. Turn key 1/4 turn clockwise.

Note: (Not a feature of the fire labeled devices.)

ABBREVIATION	FASTENER DESCRIPTION
PPHMS	PHILLIPS PAN HEAD MACHINE SCREW
PRHMS	PHILLIPS FLAT HEAD MACHINE SCREW
PFHMS	PHILLIPS FLAT HEAD UNDER CUT MACHINE SCREW
PFHUMS	PHILLIPS ROUND HEAD MACHINE SCREW

⚠ WARNING

This product can expose you to lead which is known to the state of California to cause cancer and birth defects or other reproductive harm. For more information go to www.P65warnings.ca.gov.

⚠ WARNING

Attention Installer: Any retrofit or other field modification to a fire rated opening can potentially impact the fire rating of the opening, and ASSA ABLOY makes no representations or warranties concerning what such impact may be in any specific situation. When retrofitting any portion of an existing fire-rated opening, or specifying and installing a new fire-rated opening, please consult with a code specialist or local code official (Authority Having Jurisdiction) to ensure compliance with all applicable codes and ratings.

80-9472-0000-000 10/23

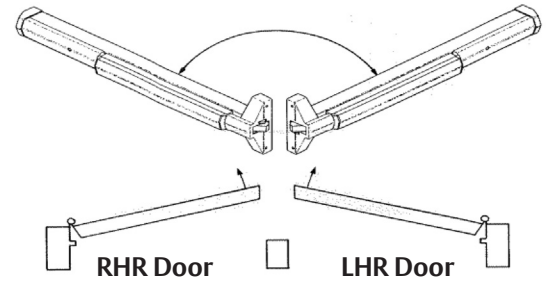
1-800-438-1951 • www.assaabloy.com

Experience a safer
and more open world

Maintenance

1. Periodically remove covers and coat mechanisms with a silicone base lubricant. This is particularly required in corrosive environments for proper product function.
2. Check mounting fasteners periodically. Retighten if found loose. Apply screw locking compound (available at automotive part stores) or change part fasteners if screws continue to back up.

For Narrow Stile Metal Doors of Either Hand



Check Before Starting

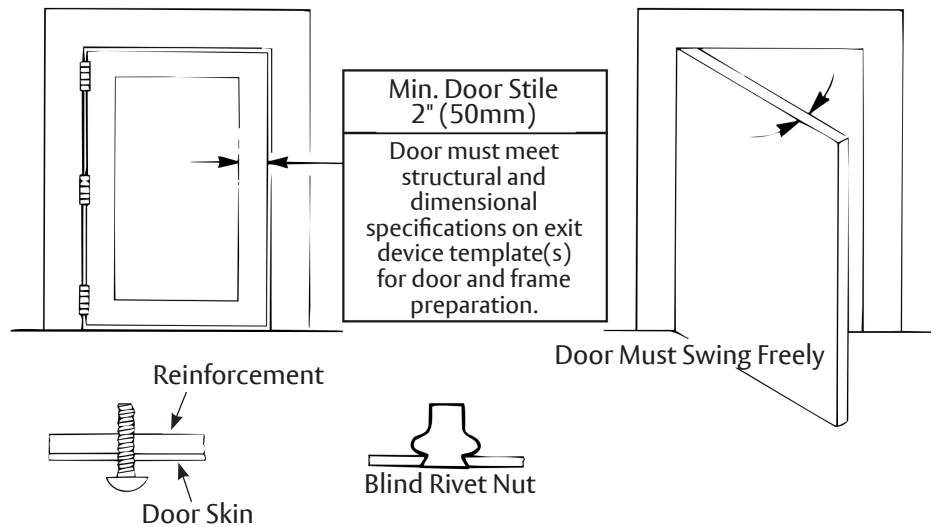
Unreinforced Door or Frames

Doors and Frames with walls having a structural thickness (metal skin plus reinforcement or solid hardwood) to engage less than (3) full screw threads are considered unreinforced.

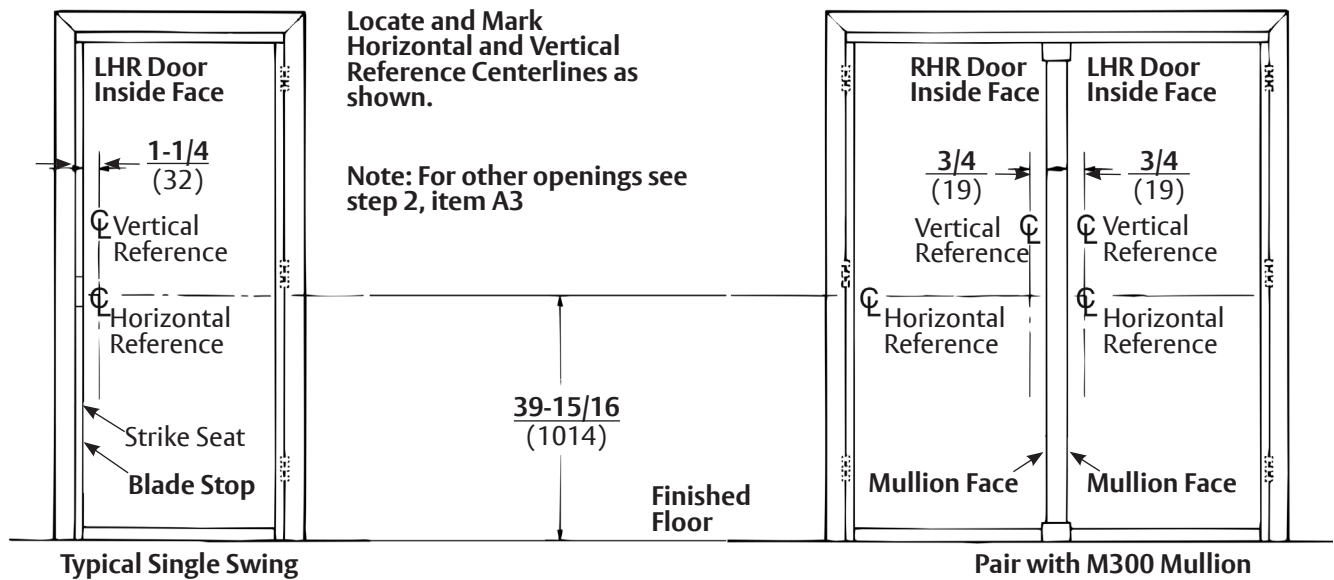
Unreinforced Doors: Use SNB (sex nuts and bolts).

Unreinforced Frames: Use Blind Rivet Nuts.

Recommended fasteners for unreinforced openings are not necessarily supplied by ASSA ABLOY Security, Inc.



1. Mark Door



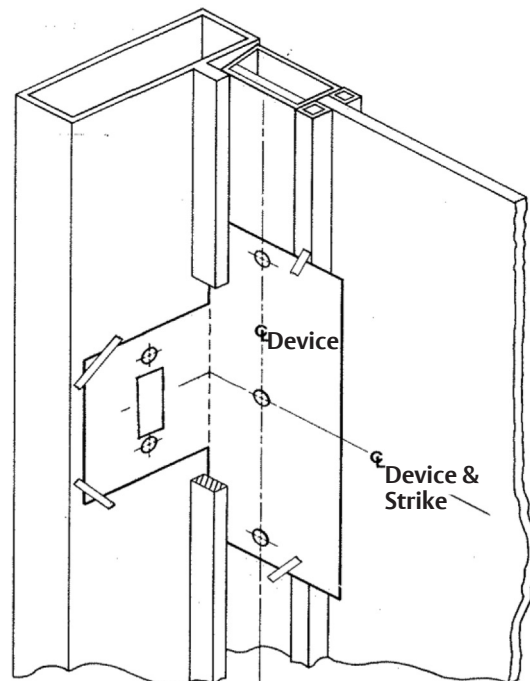
7200 Rim Exit Devices

Single Doors or Pairs with M300 Mullion Installation Instructions

ASSA ABLOY

2. Prepare Door & Frame

- Determine opening requirements.
 - Aluminum Single Openings:
Stop must be notched to clear strike.
Cutout is 3-1/8" (79) long, centered on Device centerline.
 - Pairs with M300 Mullions ***:
Cut off and discard strike portion of Installation Template.
 - Other openings:
Door stile should exceed 2" (51) by height of frame stop or 1/2 the width of the mullion.
- Seat template on door and jamb face (if pertinent).
- Align template with horizontal and vertical Device centerline on door. Tape template in place.
- Locate and tape Trim Template on door. (See instructions packed with trim.)
- Spot and prepare holes.
 - Device:** (2) 1/4-20 Machine Screws*, or
(2) 3/8" (9.5) Dia. Sex Nuts and Bolts
 - Strike**:** (2) 10-24 Machine Screws

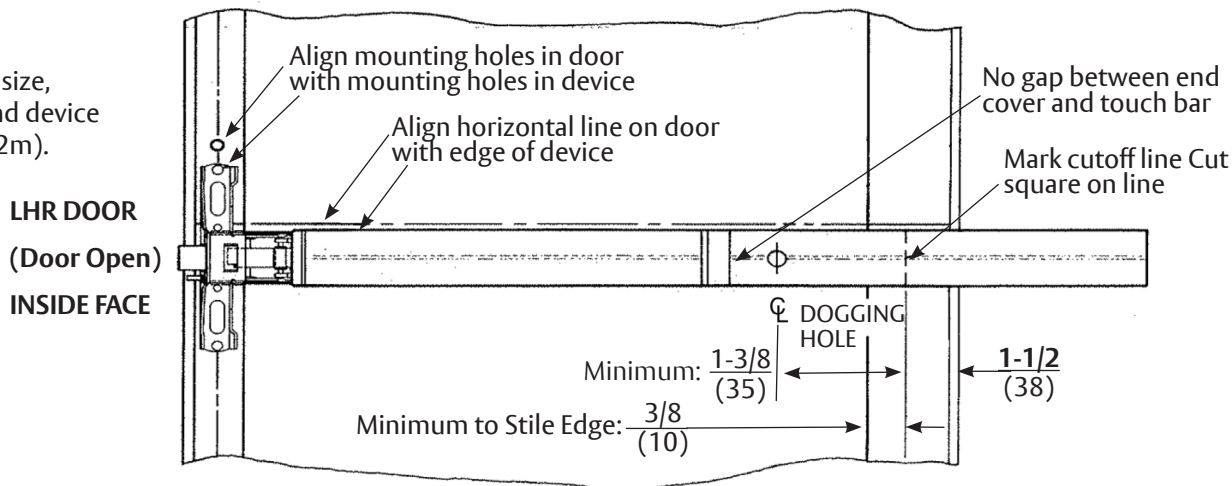


Notes:

- (*) Reinforced doors only.
- (**) Plus template cutouts, if not factory prepared.
- (***) Strike machined into the mullion. Position device carefully.

3. Size Device

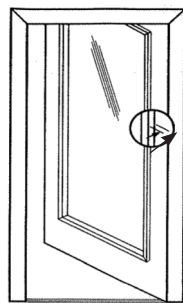
Device must be field cut to size, unless standard opening and device are 36" (0.91m) or 48" (1.22m).



4. Clear Raised Door Molding

Device must seat flush on door surface or on shims that keep it parallel to door face.

- (1) Shim Kit #723N required for each 1/8" (3mm) of device lift needed. Longer device mounting screws needed when more than two (2) Shim Kits are used.



- 1) Shim Kit #723N per 1/8" (3.2) of raised molding

80-9472-0000-000 10/23

1-800-438-1951 • www.assaabloy.com

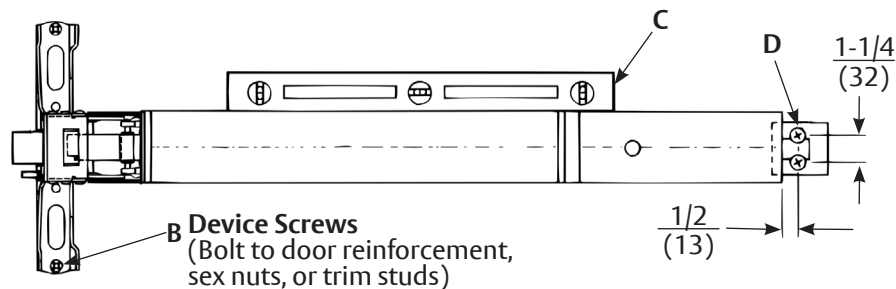
Copyright © 1997, 2012, 2023, ASSA ABLOY Access and Egress Hardware Group, Inc. All rights reserved. Reproduction in whole or in part without the express written permission of ASSA ABLOY Access and Egress Hardware Group, Inc. is prohibited.

Experience a safer
and more open world

5. Install Device

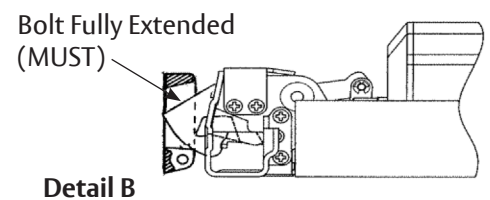
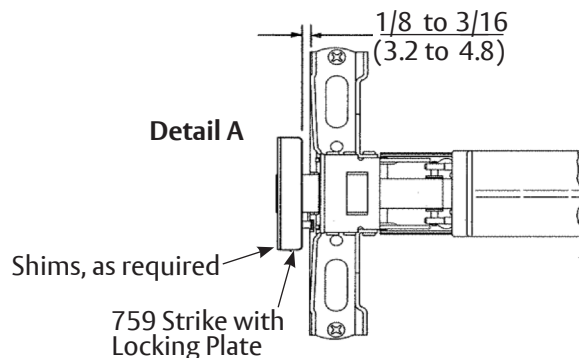
- A. Mount Trim (Follow instructions packed with trim).
- B. Seat Bar in place. (Projecting C-Cam boss must penetrate into door hole). Fasten Device Head (2 PRHMS or SNB).
- C. Set Bar level. Locate End Clamp holes.
- D. Prepare End Clamp Mounting holes. Mount End Clamp. (2 #1/4-20 PRHMS or 3/8" (10) dia. SNB)
- E. Check Bolt Retraction.
 1. Depress touchbar (bolts must retract). Release touchbar (bolts must extend).
 2. Actuate trim (bolts must retract). Release trim actuator (bolts must extend).
 3. Depress touchbar, turn dogging key clockwise (bar must remain depressed, bolts must remain retracted). Turn dogging key counterclockwise (bar and bolts must return to extended position).
4. Tighten all mounting screws.

Note: When resulting operation is faulty, check first for visible binding or interference. If there is no apparent reason for the fault, remove item from the door and recheck its operation 3. Depress touchbar, turn dogging key clockwise (bar must before assuming that it is defective).



6. Install Strike

- A. Position Strike Projection (Strike + Locking Plate + Shims, if needed. See Detail A).
- B. Position Strike Depth. See Detail B.
- C. Fasten Strike securely (2 PFHMS).
- D. Check Bolt Engagement.
 1. Bolt should retract to clear the strike when actuated by bar, trim, or dogging action. Bolt should consistently reengage the strike when actuators are released and the door shuts.
 2. Door should remain latched and not rattle when pushed, pulled, or shaken in/out.



7. Install Head Cover & End Cap Top

