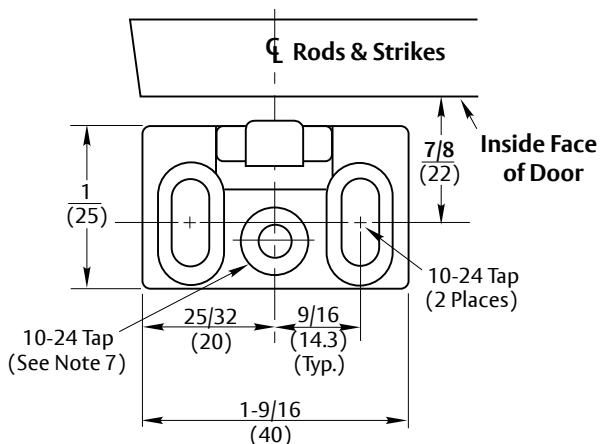
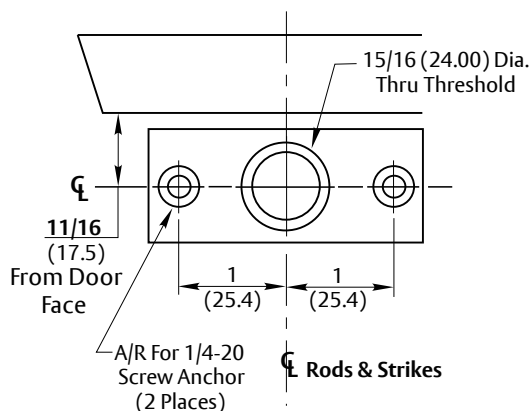


791 STRIKE DETAIL

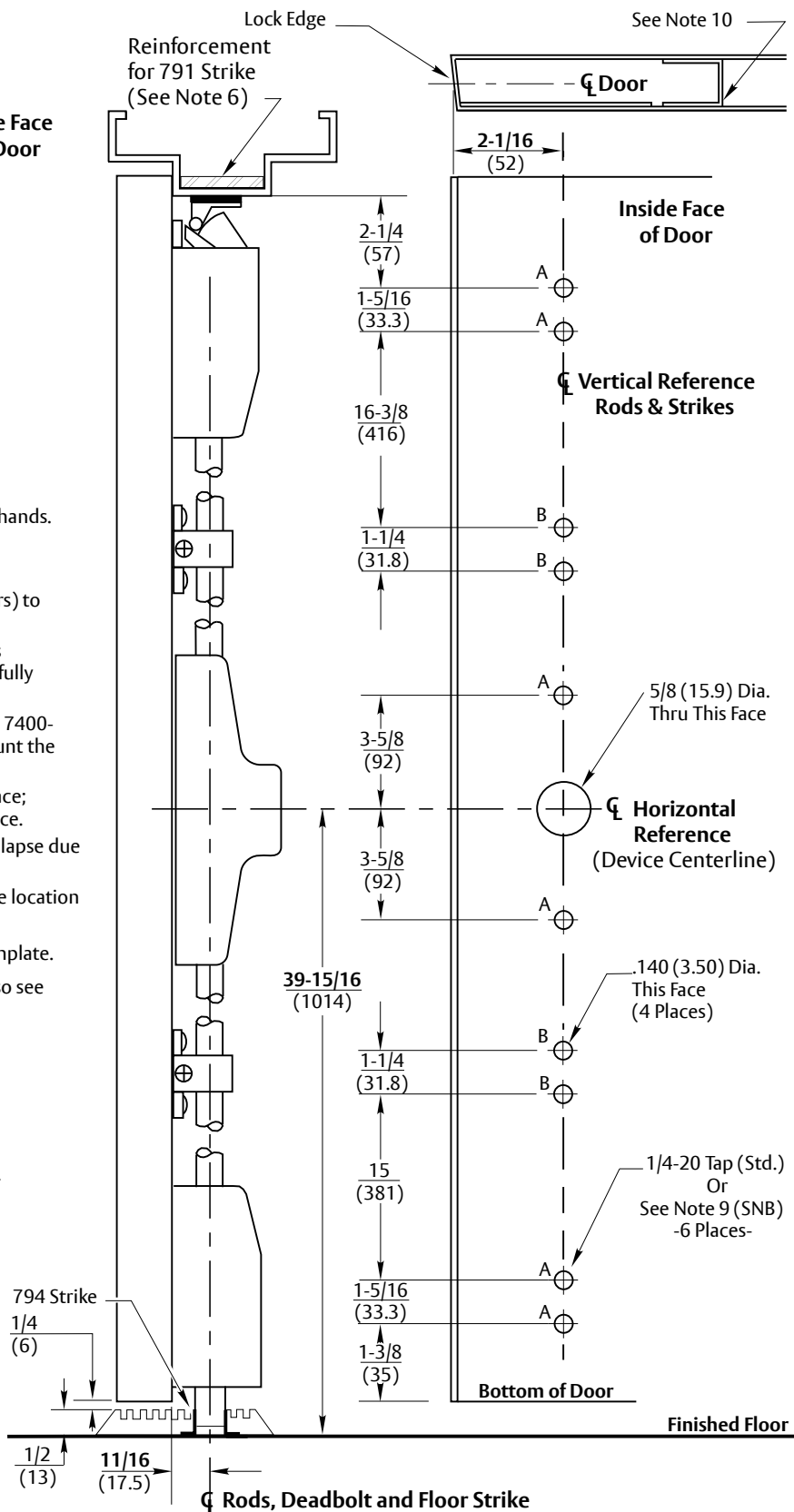


Notes:

1. Do not scale drawing.
2. Dimensions are in inches (mm).
3. LHR door shown. Preparation is typical for both door hands.
4. Minimum door stile width: $3\text{-}1\text{/}2$ (89).
5. Prepare mounting holes when installing the device.
6. Unreinforced frames require blind rivet nuts (by others) to mount the strike.
7. This hole **MUST** be field located using physical part as template, after installation is complete and device is fully operational.
8. For recommended door reinforcements see template 7400-0000. Unreinforced doors require SNB option to mount the device components.
9. Holes for optional SNB: $9\text{/}32$ (7.00) dia., inside door face; $3\text{/}8$ (9.50) dia., outside door face.
10. Provide door stiffeners, as needed to prevent door collapse due to installation with power tools, door use, or abuse.
11. Device mount to hinge stile (not shown) requires hole location and preparation during device installation.
12. For outside trim preparation see appropriate trim template.
13. For electrical devices (suffixes "-B", "-G", "-O", "-P", "-S") also see template 7477-0001.



794 STRIKE DETAIL



791 STRIKE DETAIL

RESPONSIBILITY
 DOOR AND FRAME MANUFACTURERS ARE RESPONSIBLE FOR PROVIDING ADEQUATE CONSTRUCTION OR REINFORCEMENTS FOR PROPER INSTALLATION OF HARDWARE SHOWN. ALL ARCHITECTURAL BUILDERS HARDWARE MUST BE INSTALLED ON PROPERLY REINFORCED DOORS AND FRAMES, REGARDLESS OF TYPE, MATERIAL, OR METHOD OF CONSTRUCTION.

7210M, 7215M & 7210MF
Surface Vertical Rod Exit Devices
for Narrow Escutcheon Trim
 Application for Metal Door and Frame
 with 1/2" Threshold and Optional 794 Floor Strike
Contact us for support at 1-855-577-5078.

ASSA ABLOY

SUPERSEDES	DO NOT SCALE DRAWING	
TEMPLATE NUMBER	7473-0011	DATE 01-24