

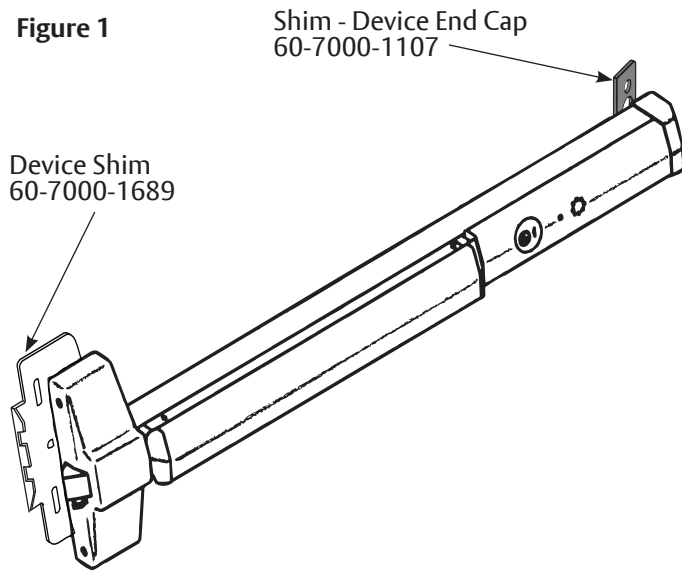
725 Anti-Pry Shim Kit

ASSA ABLOY

Installation Instructions

Shim Locations

Figure 1

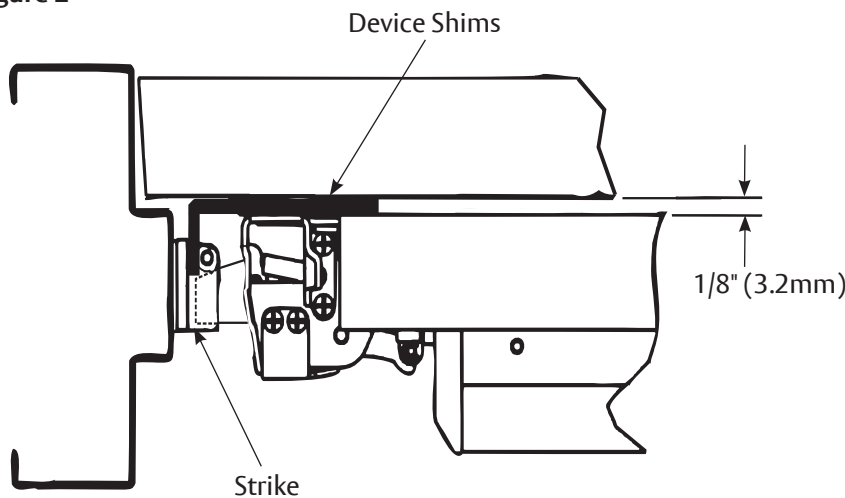


Notes:

1. When mounting the device, position shim as shown. Use the installation instructions and mounting hardware packed with the unit.
2. For Pullman and SquareBolt® Devices, strike and shim locations, see illustration below. The tangs of the anti-pry shim should interface with the roller strike, between the roller and strike body, as shown in Figure 2.

Strike Location

Figure 2



⚠ Caution: Strike location will vary. Adjust strike to compensate for the shim height.

⚠ WARNING

This product can expose you to lead which is known to the state of California to cause cancer and birth defects or other reproductive harm. For more information go to www.P65warnings.ca.gov.

⚠ WARNING

Attention Installer: Any retrofit or other field modification to a fire rated opening can potentially impact the fire rating of the opening, and ASSA ABLOY makes no representations or warranties concerning what such impact may be in any specific situation. When retrofitting any portion of an existing fire-rated opening, or specifying and installing a new fire-rated opening, please consult with a code specialist or local code official (Authority Having Jurisdiction) to ensure compliance with all applicable codes and ratings.

80-8470-0725-000 10/23

1-800-438-1951 • www.assaabloy.com

Copyright © 2013, 2023, ASSA ABLOY Access and Egress Hardware Group, Inc. All rights reserved. Reproduction in whole or in part without the express written permission of ASSA ABLOY Access and Egress Hardware Group, Inc. is prohibited.

Experience a safer
and more open world