



# 7370 Series

Multi-point Locking System

An ASSA ABLOY Group brand

**ACCENTRA**

**ASSA ABLOY**

ASSA ABLOY is transitioning the Yale Commercial brand to ACCENTRA. This affects only the brand name; the products and product numbers will remain unchanged. Prior to May 20, 2024, products may be shipped either as Yale Commercial brand or ACCENTRA brand. Products shipping after May 20, 2024, will be branded ACCENTRA.



7370 series | multi-point locking system

## a windstorm solution engineered to save lives

Yale® 7370 series is a three-point auto deadlocking system developed to help protect lives while primarily securing the community shelter window openings. Extra heavy-duty steel components firmly fasten the shutter to the frame - at top, bottom and center latch points - reinforcing the opening to endure severe wind speeds and flying debris.

The 7370 is fully integrated - part of a complete ASSA ABLOY tornado and hurricane resistant solution with CECO StormPro® 361, CURRIES StormPro® 361 and FLEMING F-5 shutters and McKINNEY® SP hinges.

### certifications/compliance

7370 series are UL certified for inswing shutters 1'8"w x 3'0"h min. to 4'0"w x 6'8"h max. to the following guidelines:

Tornado & Hurricane Shelters

- FEMA 361
- ICC 500



Tornado

Hurricane

- ICC 500
- ANSI/BHMA A250.13
- ASTM E330, E1886, E1996
- TAS201, TAS202, TAS203



Hurricane

### backset

2-3/4" (70mm) standard only.

### bolts

**Top Latchbolt:** 5/8" (16mm) stainless steel housing. Through-hardened steel latchbolt with 7/8" (22mm) projection fortified with 1/4-20 steel Holo-Krome® fasteners.



**Center Deadbolt:** One-piece stainless steel with 1" (25mm) projection.



**Bottom Bolt:** 3/4" (19mm) diameter steel with 3/4" (19mm) projection and 1/8" (3mm) steel reinforcement plate.



### cylinder

1-1/8" (29mm) brass, 6-pin, PARA keyway, keyed random cylinder with two nickel silver keys furnished standard. Optional cylinders available. See page 7-8.

### fronts

**Top:** 1/8" (3mm) thick, through-hardened steel.

**Center:** 1-1/8" x 4-7/8" x 3/16" (29mm x 124mm x 5mm) thick stainless steel, one piece.

### handing

Handing must be specified (RH, LH, RHR or LHR).

### strikes

**Center:** 1/4" (6mm) thick, stainless steel.

**Bottom:** Brass with 1/4-20 Holo-Krome® fasteners.

### shutter thickness

Standard for shutters 1-3/4" (44mm).

### shutter height

The 7370 series are standard for window storm shutter applications 1'8"w x 3'0"h to 4'0"w x 6'8"h. See page 6 for more information. For door applications 6'8" to 8'0" height, refer to 7380F series catalog.

### contents

Introduction .....	2
Features and Applications .....	2-3
Lever Designs.....	4-5
Functions .....	6
Cylinders .....	7-8
Ordering Information.....	9
Sample Specification .....	9
Parts List.....	10-15

### finishes

ANSI/ BHMA Code	Finish Description
605	Bright Brass, Clear Coated
606	Satin Brass, Clear Coated
609	Satin Brass, Blackened, Satin Relieved, Clear Coated
611	Bright Bronze, Clear Coated
612	Satin Bronze, Clear Coated
613	Dark Oxidized Satin Bronze, Oil Rubbed <sup>1</sup>
613E	Dark Oxidized Satin Bronze - equivalent
616	Satin Bronze, Blackened, Satin Relieved, Clear Coated
619	Satin Nickel Plated, Clear Coated
620	Satin Nickel Plated, Blackened, Satin Relieved, Clear Coated
625	Bright Chrome Plated
626	Satin Chrome Plated 
629	Bright Stainless Steel <sup>3</sup>
630	Satin Stainless Steel <sup>3</sup> 
693	Black Painted
722	Black Oxidized Bronze, Oil Rubbed <sup>2</sup>

1. New May 1, 2010

2. Formerly 613 prior to May 1, 2010

3. Trims are plated to simulate stainless steel



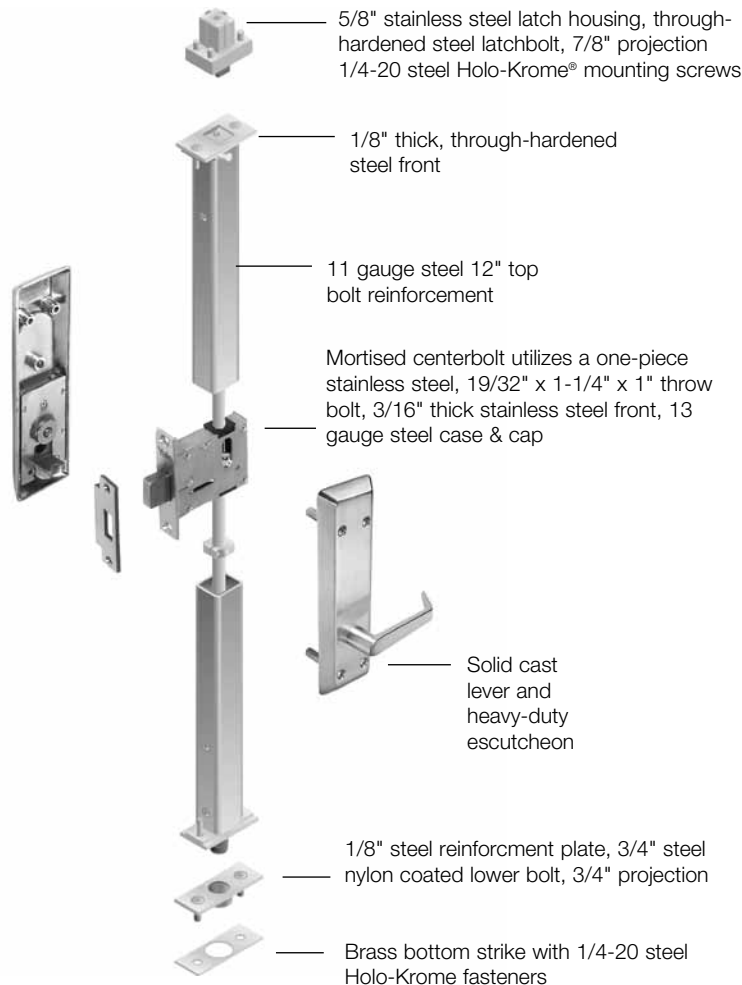
Finish available with MicroShield® antimicrobial coating, additional finishes by special application.

Consult factory for availability.

## features and applications

### applications

This device is ideal for inswing window storm shutters in Community Shelters and Safe Rooms, Corporate Campuses, Schools, Healthcare Facilities and Government Facilities.



### operation

The 7370 features concealed vertical rods with a top latchbolt and bottom deadbolt which are complemented by an automatically projecting deadbolt at the center of the shutter. Operating the trim retracts the bolts simultaneously. Once retracted the bolts are held in position as the shutter swings. When the shutter is closed, the hold back feature of the device engages the frame and all bolts project simultaneously.

### additional features

- Solid cast levers
- Heavy-duty escutcheon
- Through-bolted on shutter for solid attachment
- Extra heavy-duty steel components automatically secure the shutter to the frame at top, bottom and center locations.
- All multi-points are activated automatically when the shutter is closed
- Center bolt and trim height location are set during installation allowing them to always remain in the center of the shutter, regardless of application and shutter height.

### microshield®

7370 series multi-point locks are available with *MicroShield* antimicrobial coating. *MicroShield* is a revolutionary hardware finish coating, using a silver ion based technology, which inhibits the growth of bacteria, algae, yeast, fungus, mold and mildew. *MicroShield* is non-toxic and lasts for the lifetime of the finish to which it is applied. To order, suffix option code "YMS".

### warranty

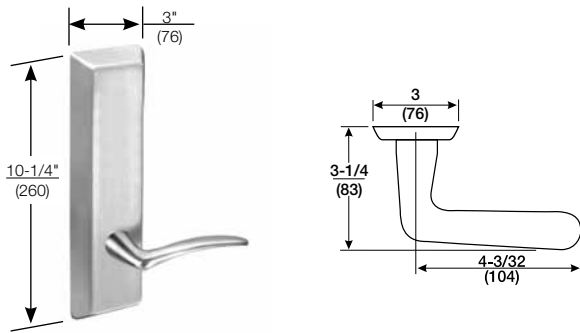
The 7370 series multi-point lock carries a 7-year warranty.

Note: *MicroShield* coating may vary finish color from architectural standards. *MicroShield* is not intended as a substitute for traditional infection control programs such as hand hygiene or use of disinfectants. Coated products must still be cleaned to insure the surfaces will be free of destructive microbes. Yale makes no representations or warranties, express or implied, as to the efficacy of *MicroShield*.

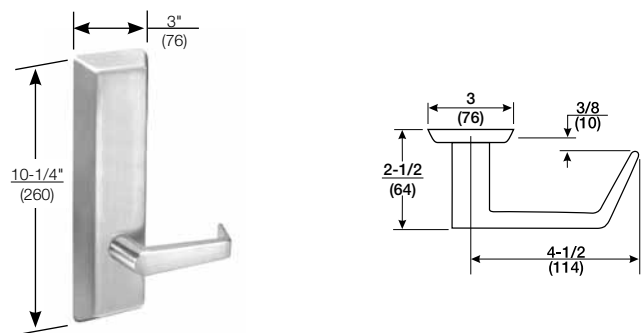
lever designs

**Lever:** Solid Cast Brass  
**Escutcheon:** Heavy-duty Forged

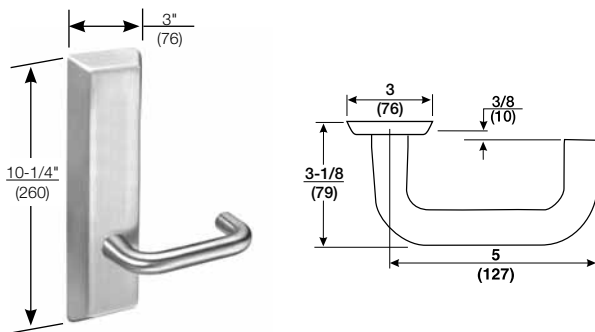
arcadia AR



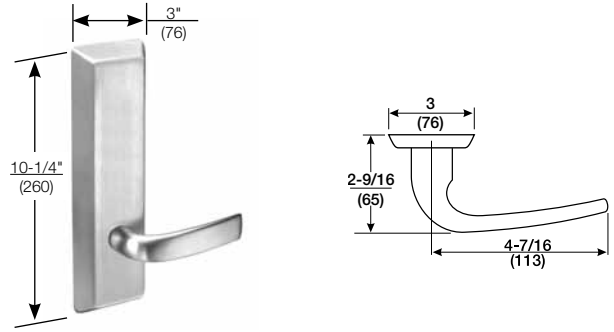
augusta AU



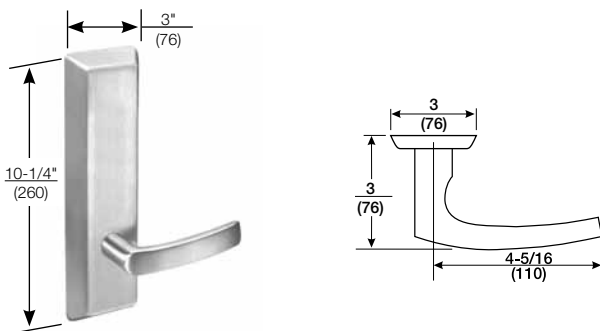
carmel CR



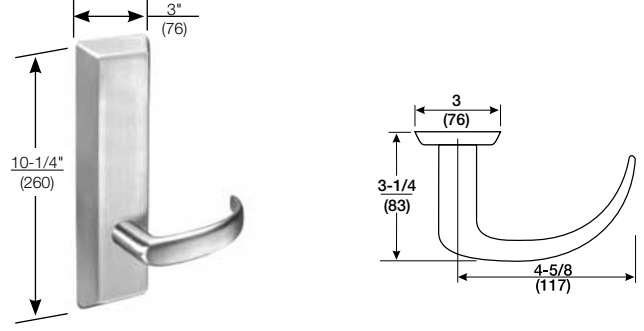
jefferson JN



monroe MO



pacific beach PB



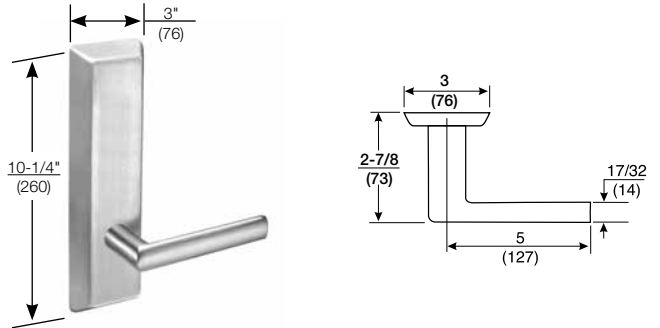
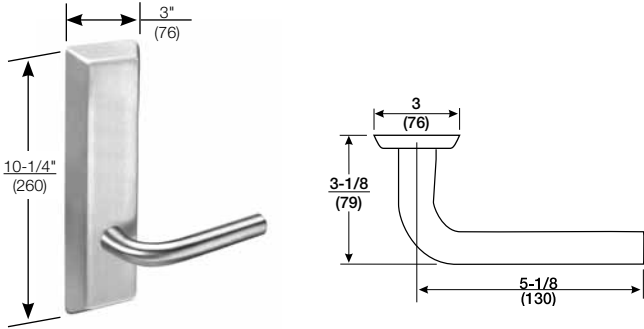
Dimensions are shown in inches (millimeters).

lever designs

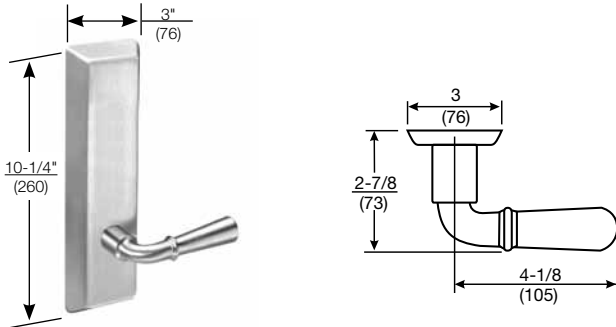
**Lever:** Solid Cast Brass  
**Escutcheon:** Heavy-duty Forged

pinehurst PN

virginia VI



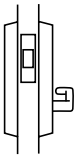
hampton HA



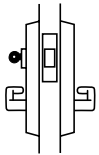
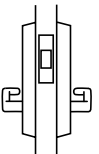
Dimensions are shown in inches (millimeters).

## functions

for typical shutter applications

Outside/Inside	Series/Function	Type	Function Description
	7374	Passage Lever x Blank Plate	<ul style="list-style-type: none"> <li>• Three-point auto deadlocking</li> <li>• Three-point latch retraction by inside lever</li> <li>• Lever on one side, blank plate on the other</li> <li>• Lever always free</li> <li>• For inswing window storm shutters</li> </ul>

optional functions

Outside/Inside	Series/Function	Type	Function Description
	7378	Classroom	<ul style="list-style-type: none"> <li>• Three-point auto deadlocking</li> <li>• Three-point latch retraction by lever either side, unless outside lever is locked by key outside</li> <li>• Inside lever always free</li> </ul>
	7371	Passage or Closet	<ul style="list-style-type: none"> <li>• Three-point auto deadlocking</li> <li>• Three-point latch retraction by lever either side</li> <li>• Both levers always free</li> </ul>

shutter heights

The 7370 series are for window storm shutter applications 1'8" w x 3'0" h to 4'0" w x 6'8" h.

### To order:

Shutter Height	Specify
3'0" - 4'6"	-36
4'6" - 6'8"	-54

## cylinders

### cylinder options

The following selection guide indicates the correct cylinder for each locking segment.

7370 Series		Types of Cylinder Mechanisms								
		Conventional		Protected Keyway		Security		High Security		
Cylinder Types	Fixed Core	6-pin	7-pin	6-pin	7-pin	6-pin	7-pin	6-pin	7-pin	
	Mortise	2153	2153	K100	K100	5153	5153	N/A	N/A	
	Interchangeable Core									
	LFIC	2196	2197	K820	K820	5196	5197	N/A	N/A	
SFIC	N/A	N/A	K620	K620	N/A	N/A	N/A	N/A		

Refer to Yale® KeyMark® and/or Cylinders and Keys Catalog sections for all details and how-to-order examples.



### Yale® KeyMark®

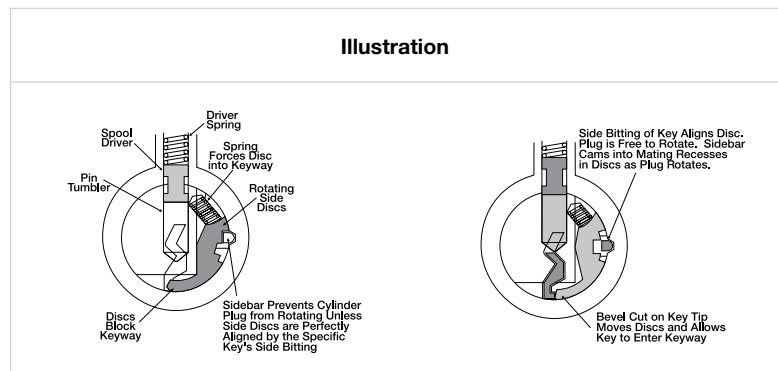
For those applications requiring protected key control, Yale® KeyMark® cylinders guard against unauthorized key duplication. The *Yale KeyMark Security Leg®* keyway feature increases resistance against picking and impressioning and can easily retrofit into existing systems. For further details and availability, refer to the separate *Yale KeyMark* catalog.



### security cylinders

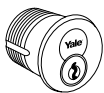

Security cylinders contain two independent locking mechanisms. The first is a traditional 6-pin tumbler mechanism with spool drivers for greatly increased picking resistance.

The second is an innovative 5-tumbler rotating disc mechanism with sidebar engagement. The rotating discs are spring loaded and block the bottom of the keyway.



## cylinders

### other manufacturers keyway cylinders/cores

Illustration	Model Number	Type	Cam	Length	Pins	Housing Only Model Number	Core Only Model Number
	A620	Small Format IC Mortise, includes Best® Keyway Core. Available keyed random, master keyed or uncombined. Specify keyway A, B, C, D, E, F, G, H, J, K, L or M.	KC1	1-1/4"	6	K660	A600
				1-3/8"	6 or 7		
	2553	Fixed Core Mortise Schlage® "C" Keyway Cylinder. Available 0-bitted or keyed random.	2160	1-1/8"	6	N/A	N/A

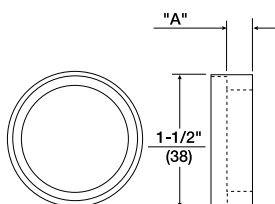
### cylinder collars

Cylinder collars are supplied as standard. Collar size is supplied to suit the length and type of the cylinder.

#### 1765 Recessed Cylinder Collar

**"A" Dimension:** Thicknesses from 1/16" (2mm) to 1-15/32" (37mm) as required.

**Material:** Brass, Bronze



**KP3 Wave Washer**  
(Furnished standard with 1765 collar for Yale® Keymark®)

### collars for use with 7370 series escutcheons

Door Thickness	2153, 5153, Fixed Core Mortise Cylinders			2196, 5196, 2197, 5197 LFIC Cylinders		K100 Yale® KeyMark® Fixed Core Cylinders		K820, K860 Yale® KeyMark® LFIC Cylinders		K620, K630 K660, K670, A620, A630 Yale® KeyMark® and Best® Keyway SFIC Cylinders	
	No. of Pins	Cylinder Length	Collar Required	Cylinder Length	Collar Required	Cylinder Length	Collar Required	Cylinder Length	Collar Required	Cylinder Length	Collar Required
1-3/4 (44)	6	1-1/8"	1765.281	1-1/2"	1765.719	1-1/8"	1765.344	1-1/2"	1765.719	1-1/4"	1765.344
	6 or 7	1-1/4"	1765.437	1-11/16"	1765.924	1-1/4"	1765.437	1-11/16"	1765.924	1-3/8"	1765.563
	6 or 7	1-3/8"	1765.594			1-1/2"	1765.719				
	6 or 7	1-1/2"	1765.719								



## ordering information

**From this outline select the Model Number for the Yale® 7370 Series Lockset you require.**

Design	Function	Height	Hand	Finish	Additional Options
See Page 4-5	See Page 6	See Page 6	See Page 2	See Page 2	Specify

## ordering example

Quantity	Design	Function	Height	Hand	Finish	Additional Options
100	AU	7374	-36	RH	630	YMS

## suggested specification

Multi-Point Auto Deadlocking Devices shall be 7370 Series as supplied by Yale Locks & Hardware.

Multi-point auto deadlocking devices are engineered for use on inswing shutter applications at hurricane and tornado safe shelter room locations. Concealed, fortified steel construction secures the door to the frame at top, bottom and center positions. All three locking points shall be automatically activated when the device is closed and retracted with one single motion upon exiting.

Multi-point auto deadlock shall be part of an integrated door, frame and hardware assembly UL certified to FEMA 361, ICC 500, ANSI/BHMA A250.13, ASTM E330, E1886, E1996, TAS201, TAS202, and TAS203 for inswing applications.

Latchbolts shall be constructed as follows:

- Mortised Centerbolt:
  - Single piece, 13 gauge chrome plated steel lock case with 3/16" thick stainless steel front.
  - Stainless steel, 1" throw deadbolt.
  - 2-3/4" backset standard with 1/4" stainless steel centerbolt strike.

- Top Latch:
  - Through-hardened steel latchbolt with 7/8" projection
  - 1/8" steel latchbolt front
  - 5/8" stainless steel latch housing secured with 1/4-20 Holo-Krome® fasteners.
- Bottom Bolt:
  - 3/4" diameter steel nylon coated bolt with 3/4" projection and 1/8" steel reinforcement plate
  - Brass strike housing secured with 1/4-20 Holo-Krome® fasteners.

Devices shall be provided with heavy-duty escutcheon trim and solid cast levers matching the design style and architectural finishes as the balance of the locksets and latches specified.

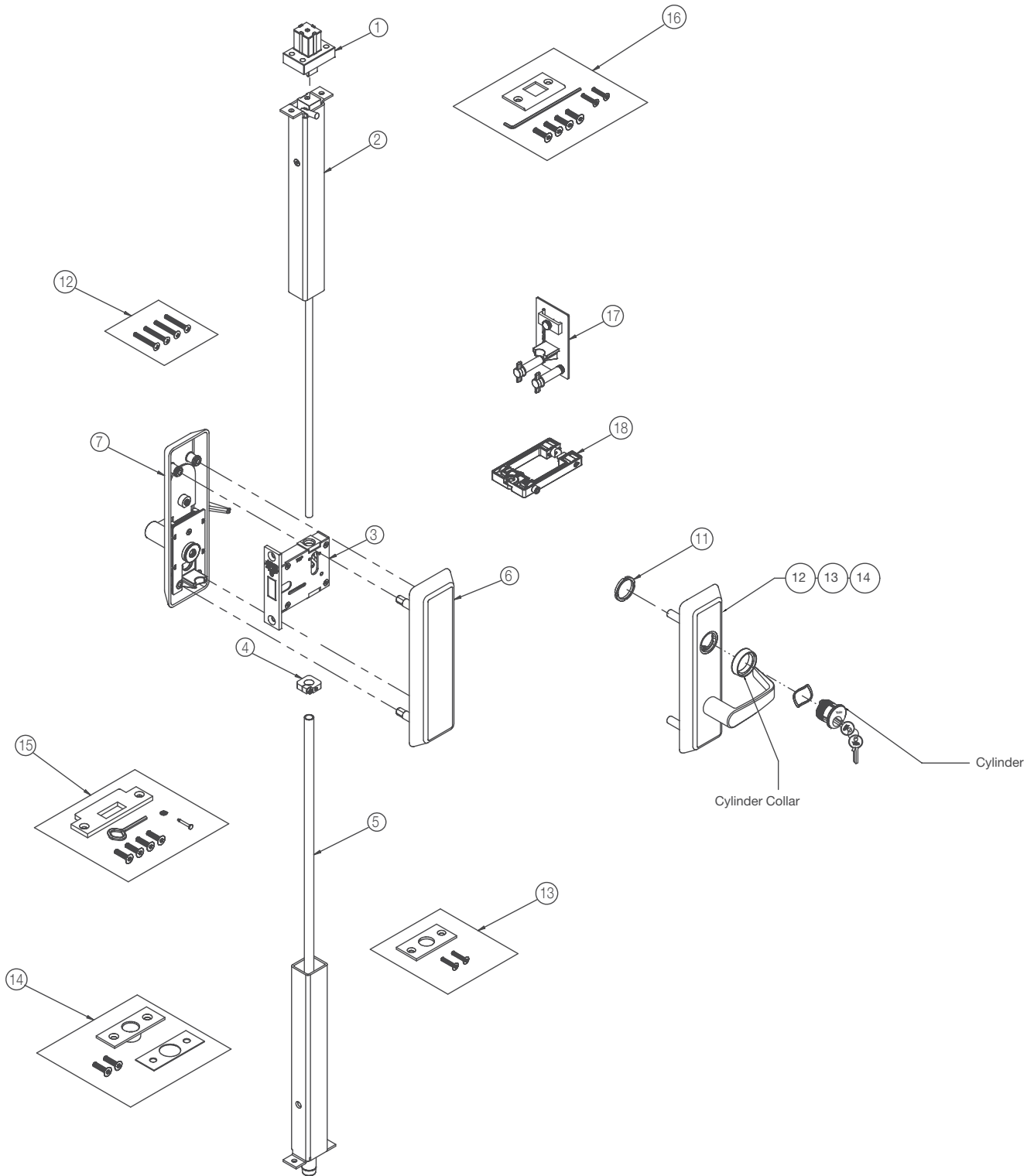
Inswinging storm shutters shall be furnished as a complete door, frame, and hardware assembly for openings measuring from 1'8" x 3'0" minimum to 4'0" x 6'8" maximum.

All multi-point auto deadlocking devices shall have a seven-year limited warranty.

## parts list

Item	Part No.	Description	7374		7371		7378	
			36"	54"	36"	54"	36"	54"
1	60-7380-0008	Top Latch Assembly	1	1	1	1	1	1
2	60-7370-0036	Top Bolt Sub-Assembly for 3'0" - 4'6" Shutter	1	-	1	-	1	-
	60-7370-0055	Top Bolt Sub-Assembly for 4'6" - 6'8" Shutter	-	1	1	1	-	-
3	60-7370-0070	Deadbolt-Sub-Assembly	1	1	1	1	1	1
4	60-7370-0040	Platform Sub-Assembly	1	1	1	1	1	1
5	60-7370-0014	Bottom Bolt Sub-Assembly for 3'0" - 4'6" Shutter	1	-	1	1	-	-
	60-7370-0015	Bottom Bolt Sub-Assembly for 4'6" - 6'8" Shutter	1	1	-	1	-	-
6	60-7380-0026	Outside Escutcheon Assembly- Blank (7374)	1	1	-	-	-	-
	60-7380-0027	Outside Escutcheon Assembly - Lever only (7371)	-	-	1	1	-	-
	60-7380-0028	Outside Escutcheon Assembly - Lever & Cylinder (7378)	-	-	-	-	1	1
7	60-7380-0029	Inside Escutcheon Assembly - Lever only	1	1	1	1	1	1
8	---	Cylinder Assembly	-	-	-	-	1	1
9	81-9500-1580	Wave Washer	-	-	-	-	1	1
10	---	Cylinder Collar	-	-	-	-	1	1
11	60-7000-2421	Cylinder Nut	-	-	-	-	1	1
12	60-7380-0013	Trim Mounting Packet	1	1	1	1	1	1
13	60-7380-0015	Bottom Bolt Mounting Packet	1	1	1	1	1	1
14	60-7370-0016	Bottom Strike Packet	1	1	1	1	1	1
15	60-7380-0017	Strike & Deadbolt Mounting Packet	1	1	1	1	1	1
16	60-7380-0016	Front & Top Mounting Packet	1	1	1	1	1	1
17	60-7370-00	Jig Sub-Assembly Alignment	1	1	1	1	1	1
18	60-7370-00	Drill Jig Fixture	1	1	1	1	1	1

parts list




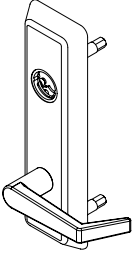
parts list

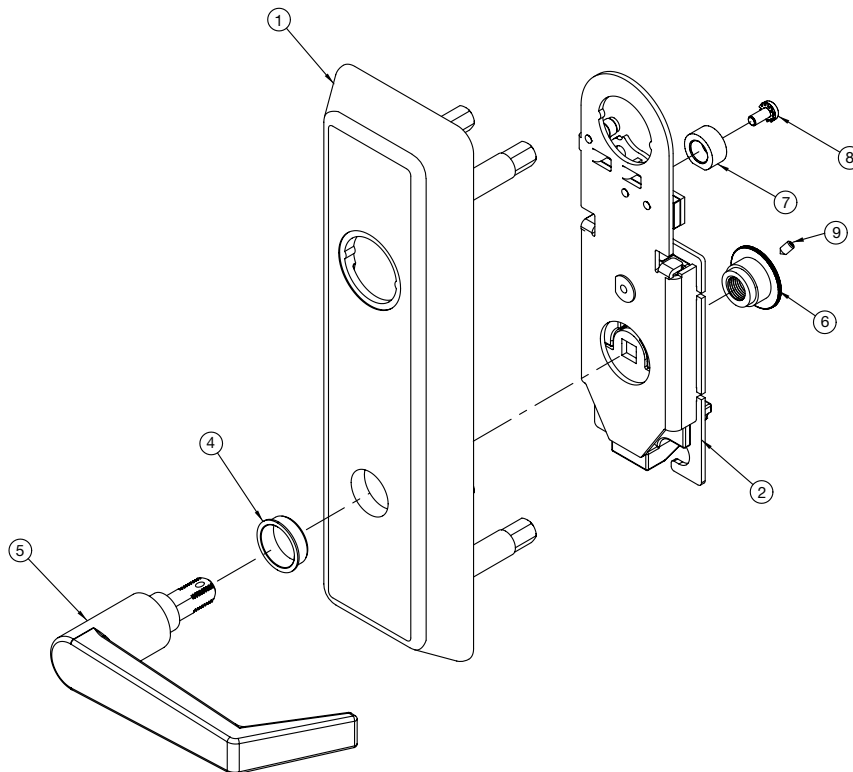
outside escutcheon assembly

Item #	Name	Quantity	7371 60-7380-0027	7374 60-7380-0026	7378 60-7380-0028	Part Numbers
1	Escutcheon	1			X	60-7380-0070
			X			60-7380-0071
				X		60-7380-0072
2	Cassette Sub-Assembly	1			X	Locking 60-7380-0019
			X			Non-Locking 60-7380-0012
4	Bushing	1	X		X	10-0086-9037
5	Augusta AU	1	X		X	60-7380-0051
	Arcadia RH/LH AR		X		X	60-7380-0052/0053
	Carmel CR		X		X	60-7380-0054
	Jefferson JN		X		X	60-7380-0055
	Monroe MO		X		X	60-7380-0056
	Pacific Beach PB		X		X	60-7380-0057
	Virginia VI		X		X	60-7380-0058
	Hampton HA		X		X	60-7380-0059
	Pinehurst PN		X		X	60-7380-0060
6	Nut	1	X		X	60-7380-0004
7	Spacer	1	X			60-7380-0006
8	Screw - PPHM #8-32 x 3/8"	1	X			60-7380-0003
9	Set Screw	1	X		X	99-9999-3100

parts list

outside escutcheon assembly

<p>7371 Part No. 60-7380-0027 Outside Non-Locking</p>	<p>7374 Part No. 60-7380-0026 Outside Blank</p>	<p>7378 Part No. 60-7380-0028 Outside Locking</p>
		



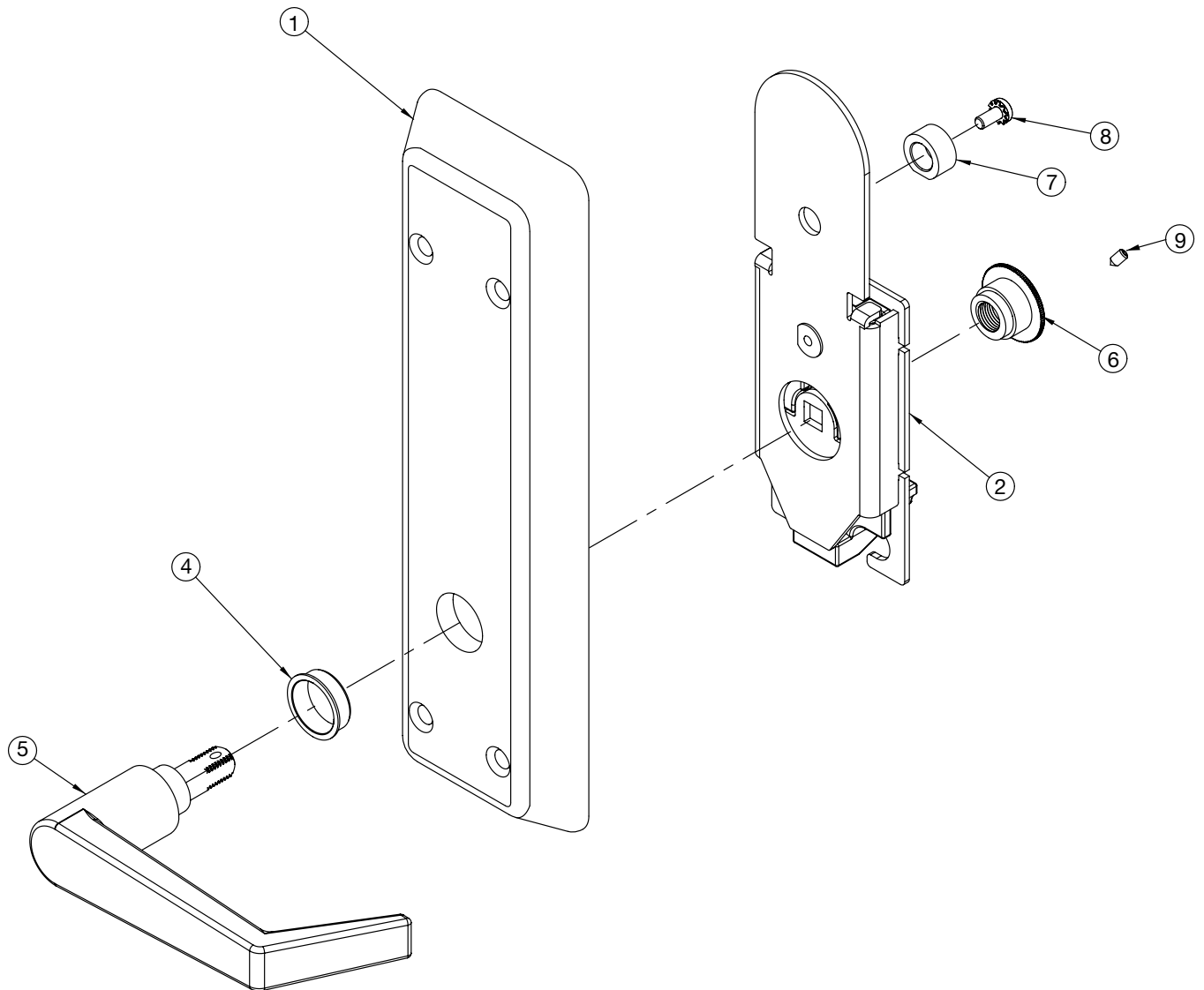
parts list

inside escutcheon assembly

Item #	Name	Quantity	7371/7374/7378 60-7380-0029 (Compete)	Part Numbers
1	Escutcheon	1	X	60-7380-0075
2	Cassette Sub-Assembly	1	X	60-7380-0012
4	Bushing	1	X	10-0086-9037
5	Augusta AU	1	X	60-7380-0051
	Arcadia RH/LH AR		X	60-7380-0052/0053
	Carmel CR		X	60-7380-0054
	Jefferson JN		X	60-7380-0055
	Monroe MO		X	60-7380-0056
	Pacific Beach PB		X	60-7380-0057
	Virginia VI		X	60-7380-0058
	Hampton HA		X	60-7380-0059
	Pinehurst PN		X	60-7380-0060
6	Nut	1	X	60-7380-0004
7	Spacer	1	X	60-7380-0006
8	Screw - PPHM #8-32 x 3/8"	1	X	60-7380-0003
9	Set Screw	1	X	99-9999-3100

parts list

inside escutcheon assembly



## online literature and templates

---

For the latest information on Yale Locks & Hardware products, visit our website at: [www.yalelocks.com](http://www.yalelocks.com)

Click on the “Product Information” button to find:

- Catalogs
- Parts manuals
- Templates
- Specifications
- Installation instructions

Yale® customers can click on the ebusiness symbol  on the website to register for an ebusiness account to:

- Check the status of orders
- Check availability of QuickShip items
- Track your order and confirm delivery
- Receive email notification of template changes
- And More...

Or contact us at:

### U.S.A.

#### Yale Locks & Hardware

Address: 225 Episcopal Road, Berlin, CT 06037-4004  
Tel: 1-800-438-1951 • Fax: 1-800-338-0965 • [www.yalelocks.com](http://www.yalelocks.com)

### Canada:

#### ASSA ABLOY Door Security Solutions Canada

Address: 160 Four Valley Drive, Vaughan, Ontario L4K 4T9  
Tel: 1-800-461-3007 • Fax: 1-800-461-8989 • [www.assaabloy.ca](http://www.assaabloy.ca)

### International:

#### ASSA ABLOY Americas International

Tel: 1-905-821-7775 • Fax: 1-905-821-1429 • [www.assaabloyai.com](http://www.assaabloyai.com)

Yale Locks & Hardware is a division of Yale Security Inc., an ASSA ABLOY Group company.

Yale® and MicroShield® are registered trademarks of Yale Security Inc., an ASSA ABLOY Group company. KeyMark® and Security Leg® are registered trademarks of Medeco Security Locks, Inc., an ASSA ABLOY Group company. Other products' brand names may be trademarks or registered trademarks of their respective owners and are mentioned for reference purposes only. These materials are protected under U.S. copyright laws. All contents current at time of publication. Yale Security Inc. reserves the right to change availability of any item in this catalog, its design, construction, and/or its materials. Copyright © 2010, 2013 Yale Security Inc., an ASSA ABLOY Group company. All rights reserved. Reproduction in whole or in part without the express written permission of Yale Security Inc., an ASSA ABLOY Group company is prohibited.

**YALE**, with its unique global reach and range of products, is the world's favorite lock.

**ASSA ABLOY** is the global leader in door opening solutions, dedicated to satisfying end-user needs for security, safety and convenience.

42712-9/13RE