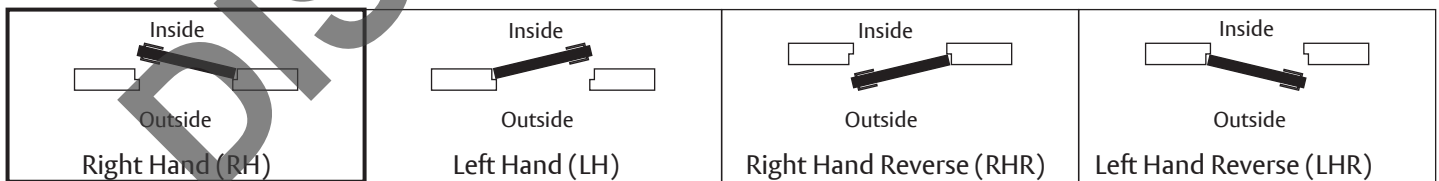
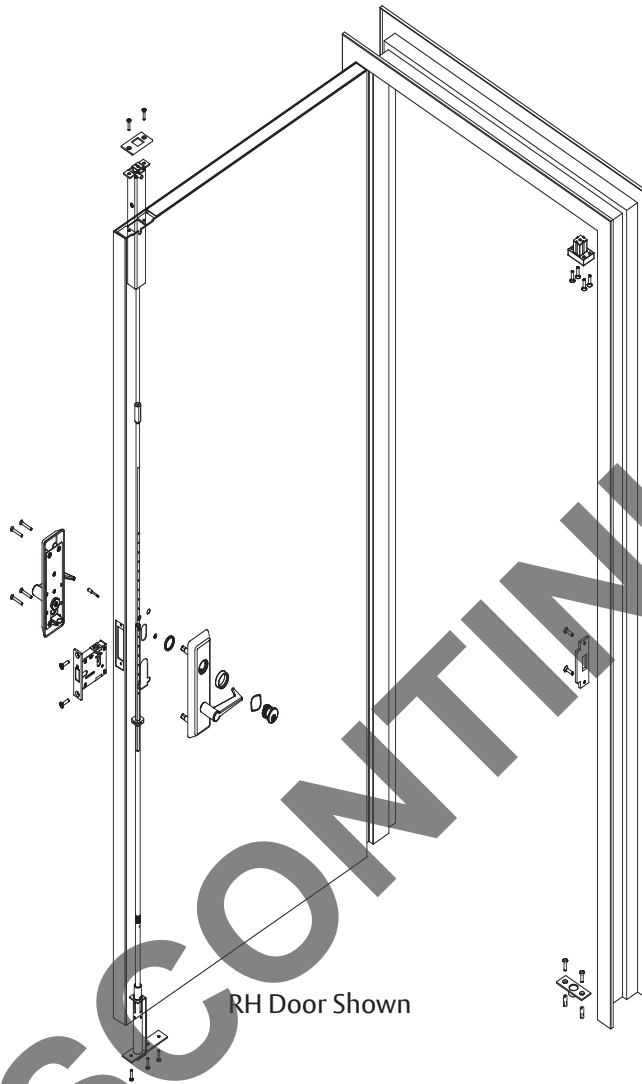


7380F Multi-Point Lock

ASSA ABLOY

Installation Instructions



⚠ WARNING

This product can expose you to lead which is known to the state of California to cause cancer and birth defects or other reproductive harm. For more information go to www.P65warnings.ca.gov.

⚠ WARNING

Attention Installer: Any retrofit or other field modification to a fire rated opening can potentially impact the fire rating of the opening, and ASSA ABLOY makes no representations or warranties concerning what such impact may be in any specific situation. When retrofitting any portion of an existing fire-rated opening, or specifying and installing a new fire-rated opening, please consult with a code specialist or local code official (Authority Having Jurisdiction) to ensure compliance with all applicable codes and ratings.

80-8470-7380-000 10/23

1-800-438-1951 • www.assaabloy.com

Copyright © 2016, 2023, ASSA ABLOY Access and Egress Hardware Group, Inc. All rights reserved. Reproduction in whole or in part without the express written permission of ASSA ABLOY Access and Egress Hardware Group, Inc. is prohibited.

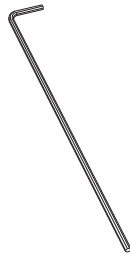
Experience a safer
and more open world

Tools Supplied

⚠ IMPORTANT: This device is intended to be part of an integrated door, frame and hardware assembly UL-approved for both FEMA 361 and FEMA 320 guidelines for both in-swing and out-swing doors.



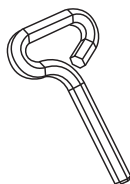
5/64 Hex



5/64 Hex



5/32 Hex



3/16 Hex

Tools Required



Hollow Tip Driver



Flat Head



Phillips Head



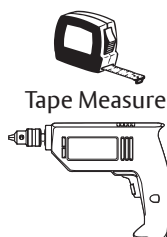
Marker



Chisel



9/16" & 11/16" Wrench

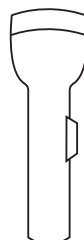


Tape Measure

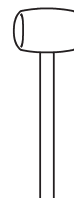
Drill



Anchor Set Tool

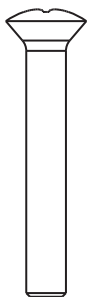


Flashlight

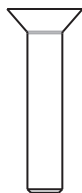


Mallet

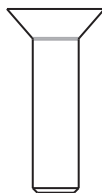
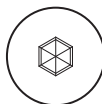
Mounting Hardware (Full Scale)



(4)
Oval Head Phillips
12-24x1 1/2"



(5)
Flat Head Hex Socket
12-24x1"



(10)
Flat Head Hex Socket
1/4-20x1"



(10)
Push-on Retaining Ring
(1 Spare)



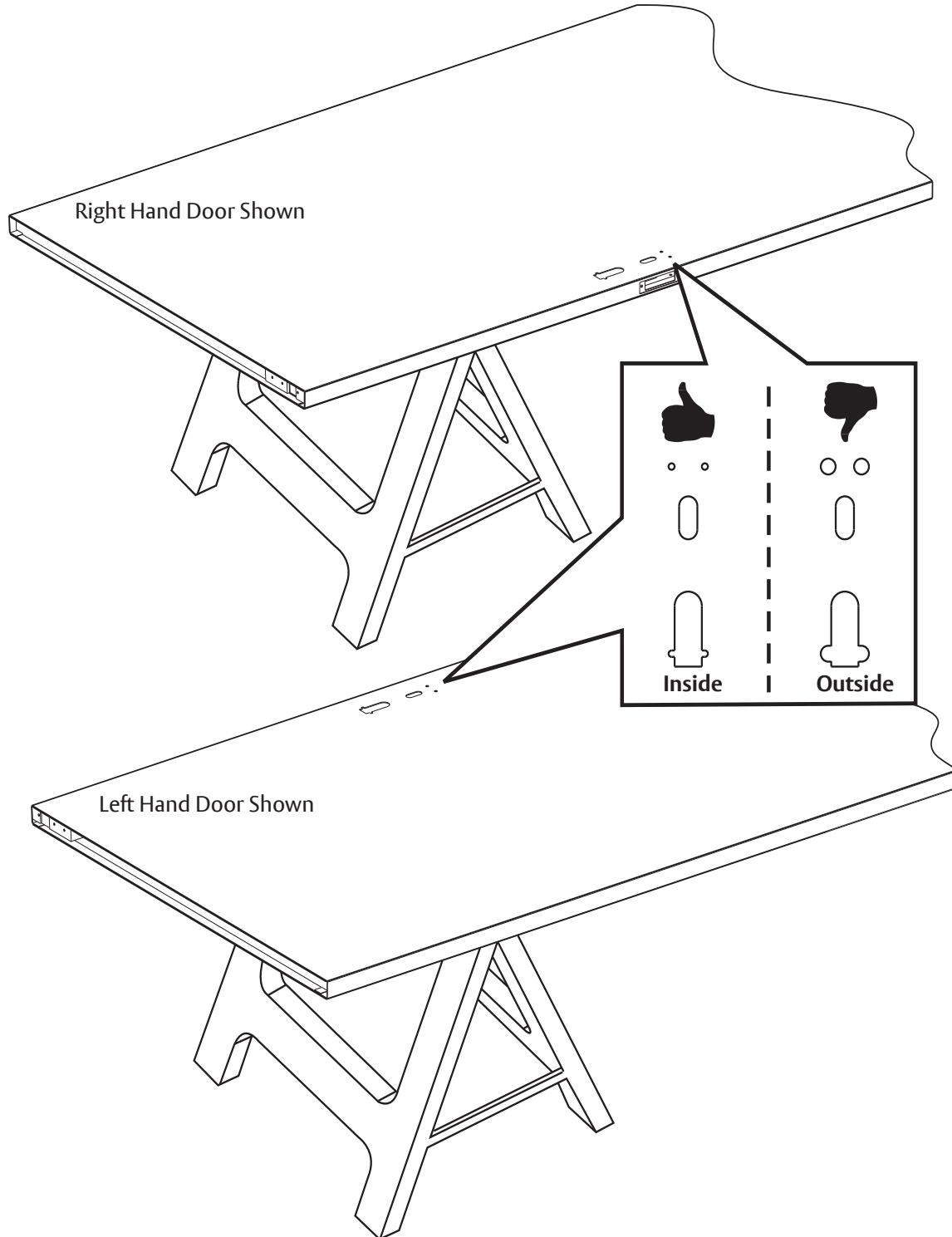
(2)
Drive Pin
(1 Spare)



(2)
Drop-in Anchor

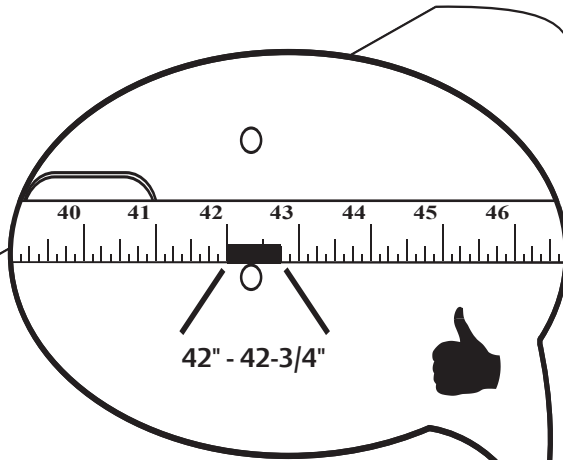
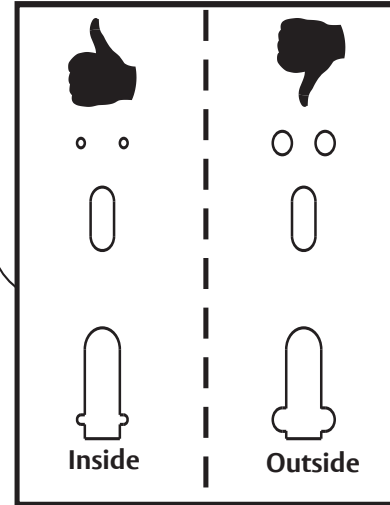
Installation Instructions

Verify Handing

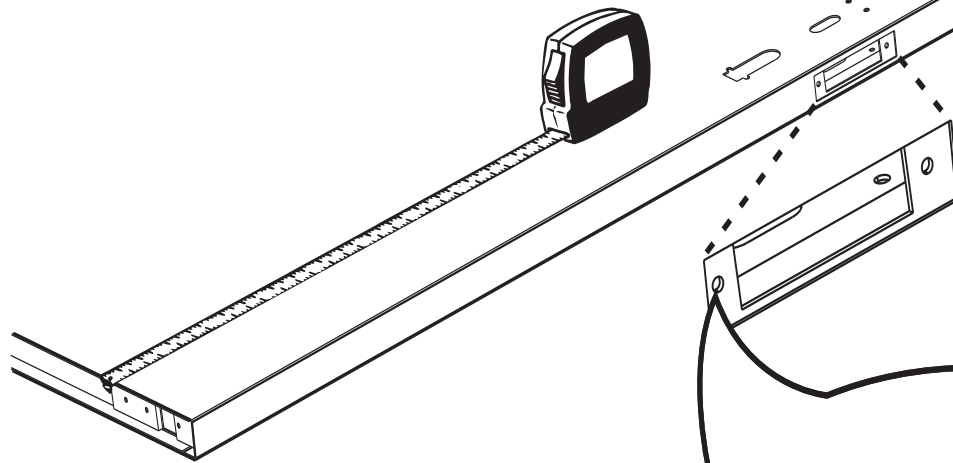


Verify Door Dimensions

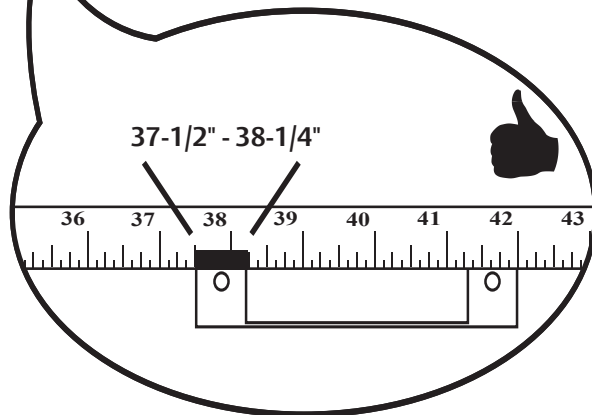
⚠ WARNING: LOCK IN condition can occur and EMERGENCY EGRESS will be prevented if critical dimensions are not met. Device will not operate if door cutouts are not within the dimensions below.



Right Hand Door Shown

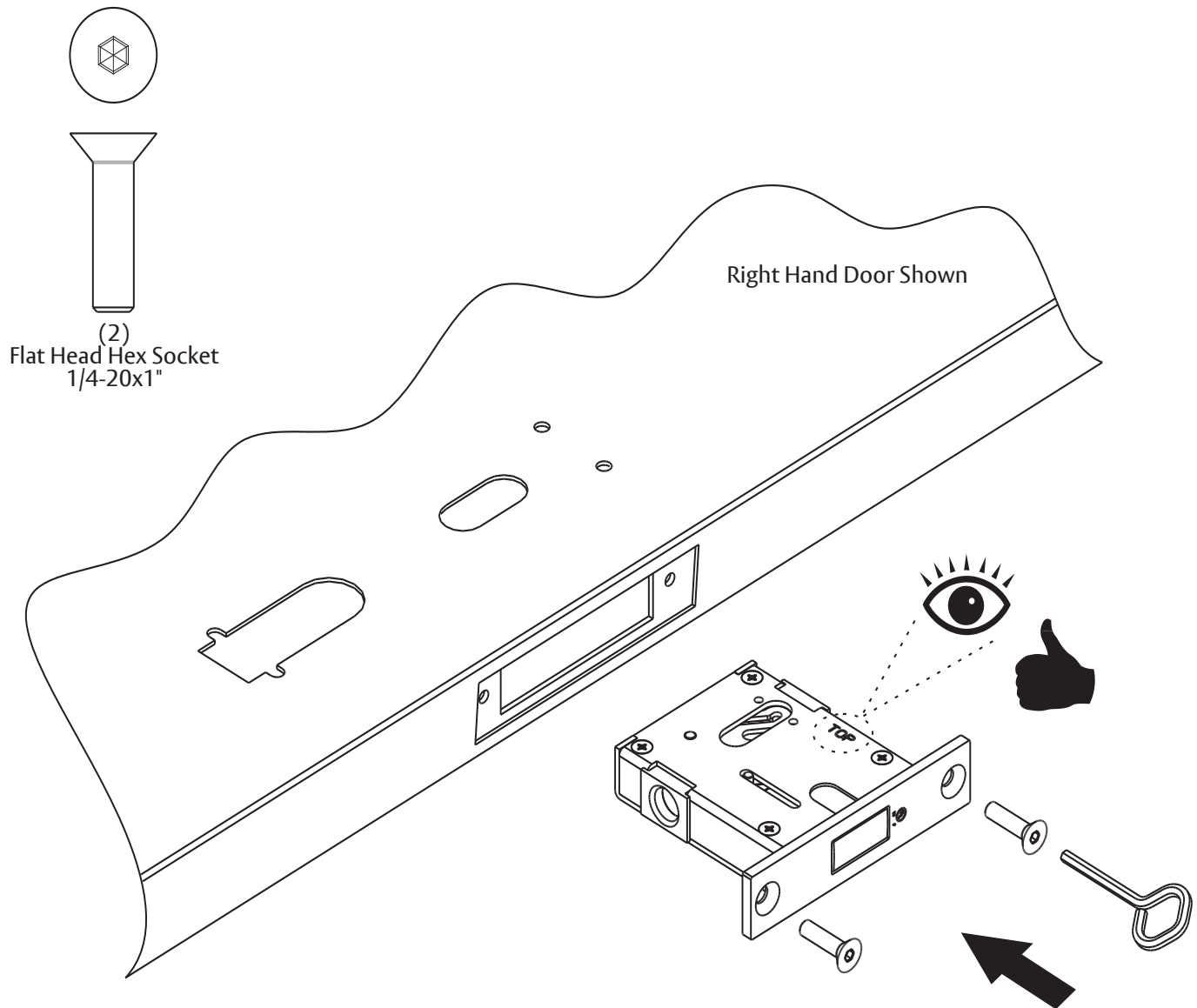


If door does not match above dimensions, contact door manufacturer.



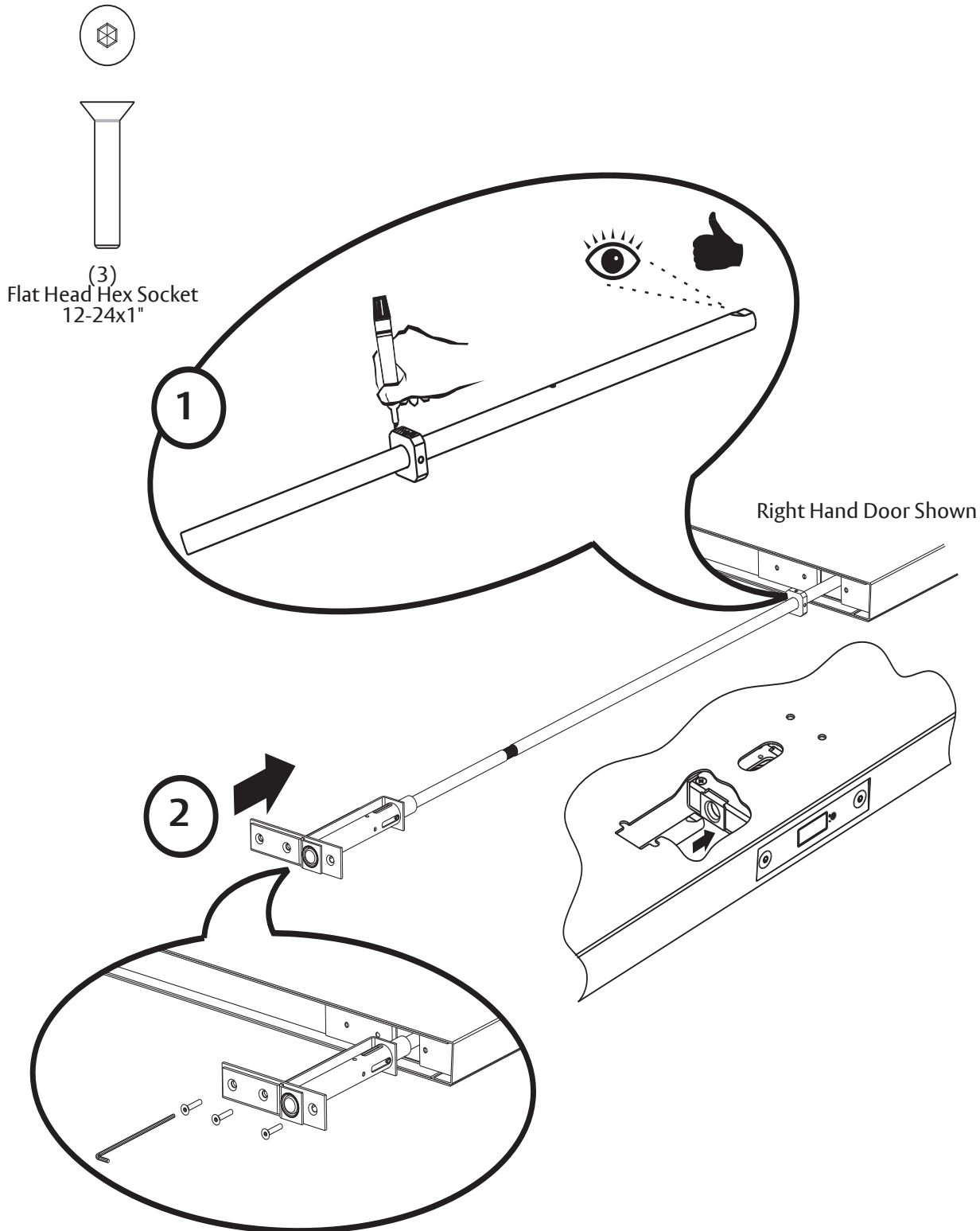
Installation Instructions

1. Install Deadbolt Assembly



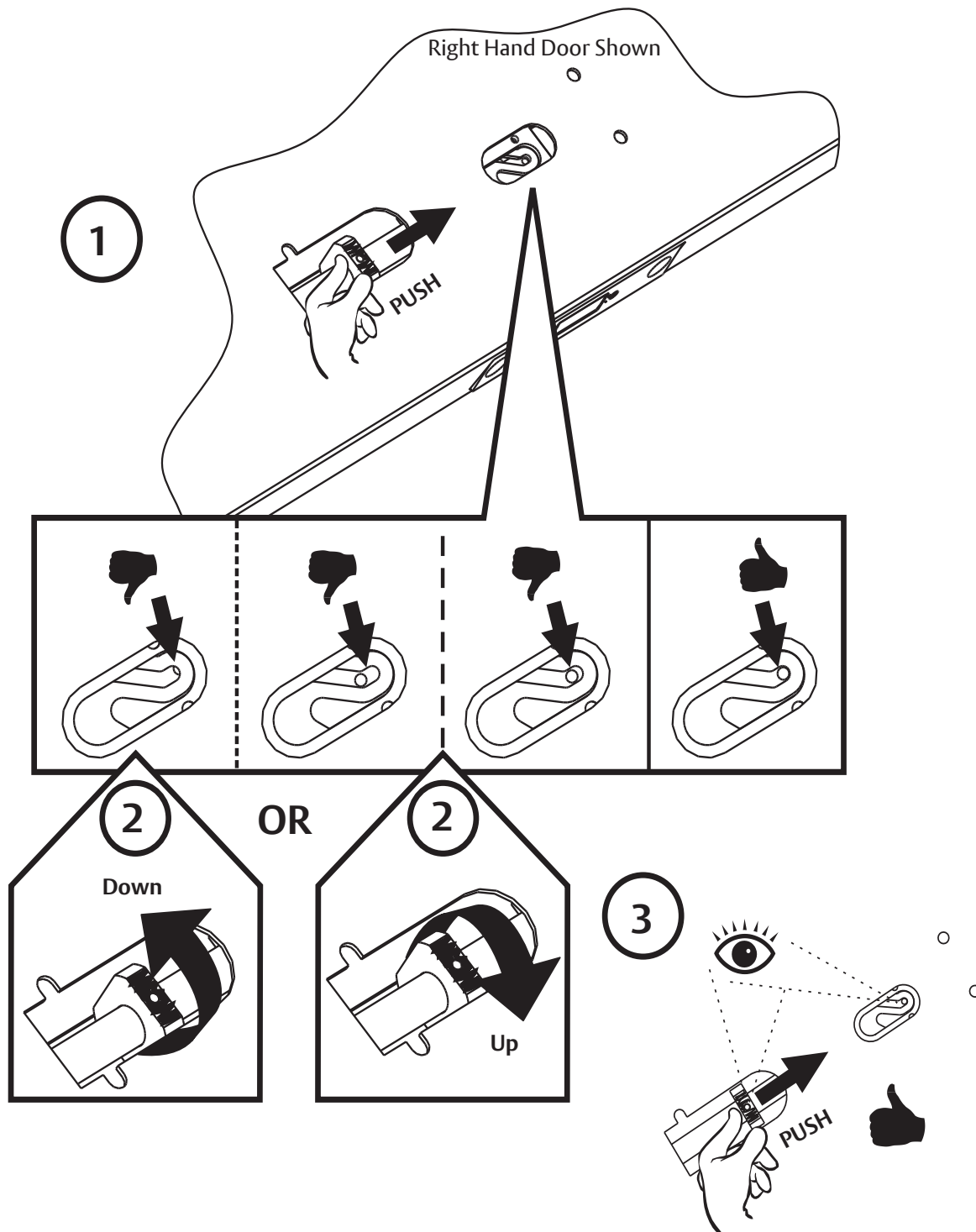
! **WARNING:** Deadbolt must be retracted before moving to the next step.

2. Install Bottom Bolt Assembly

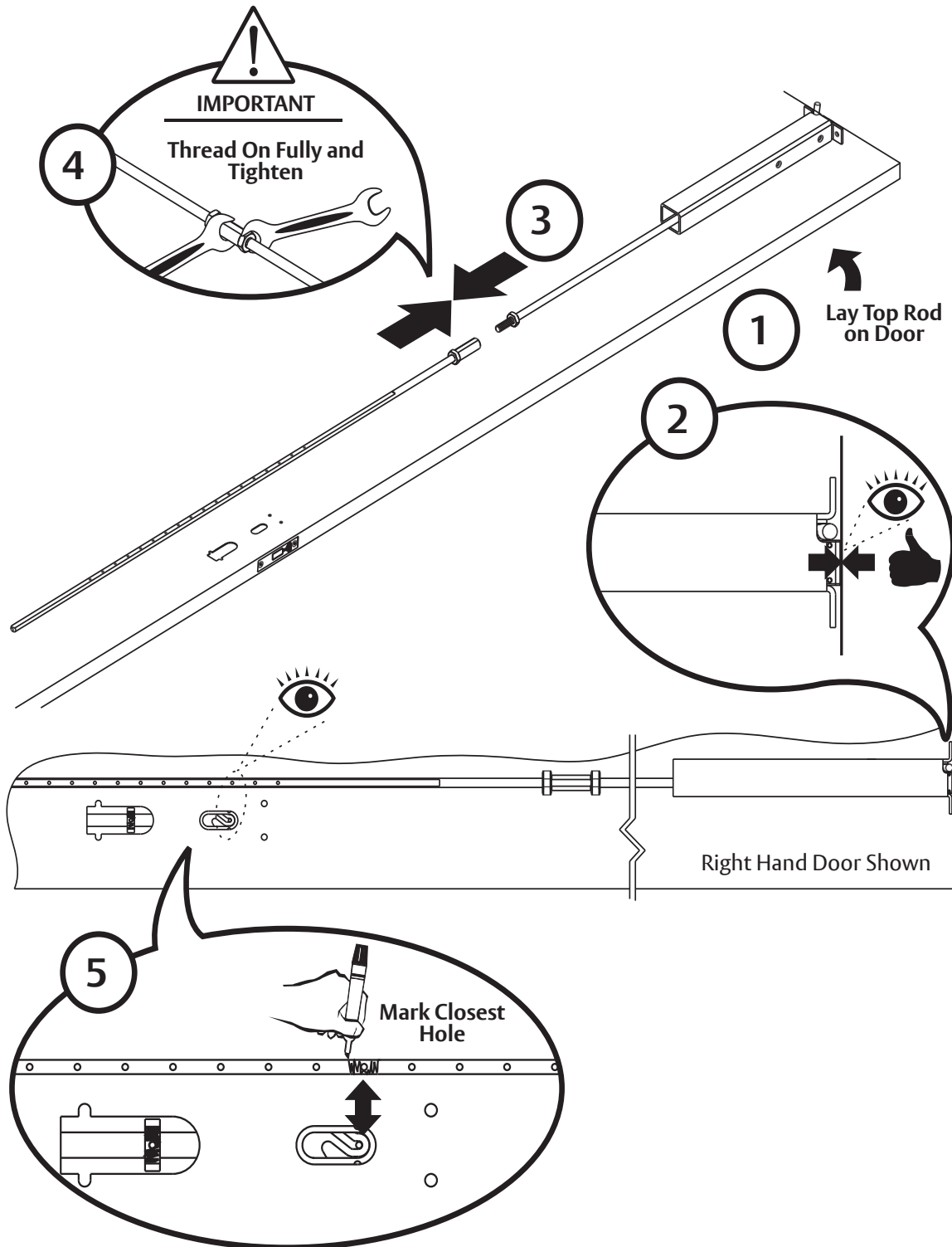


Installation Instructions

3. Align Bottom Bolt Assembly

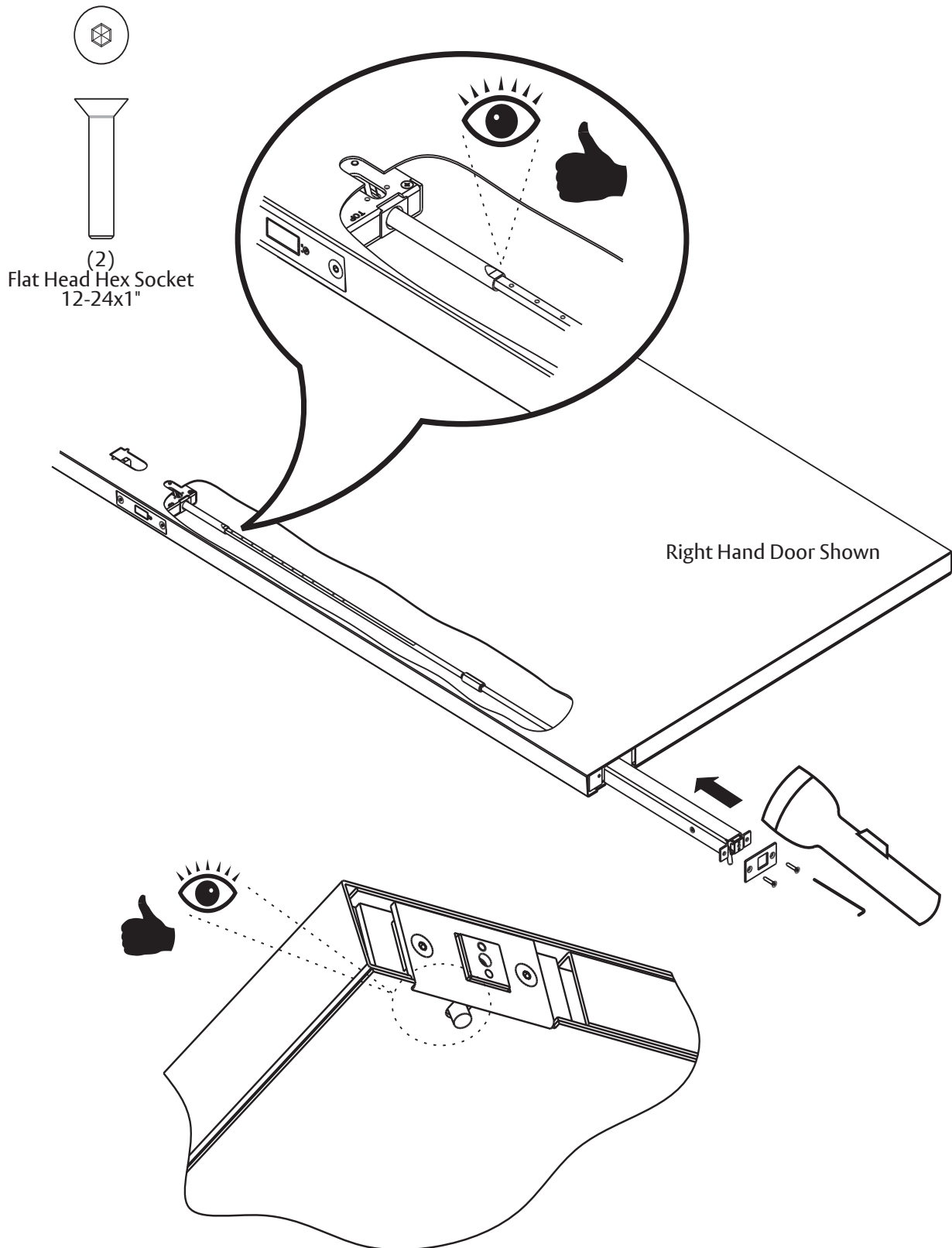


4. Prep Top Assembly

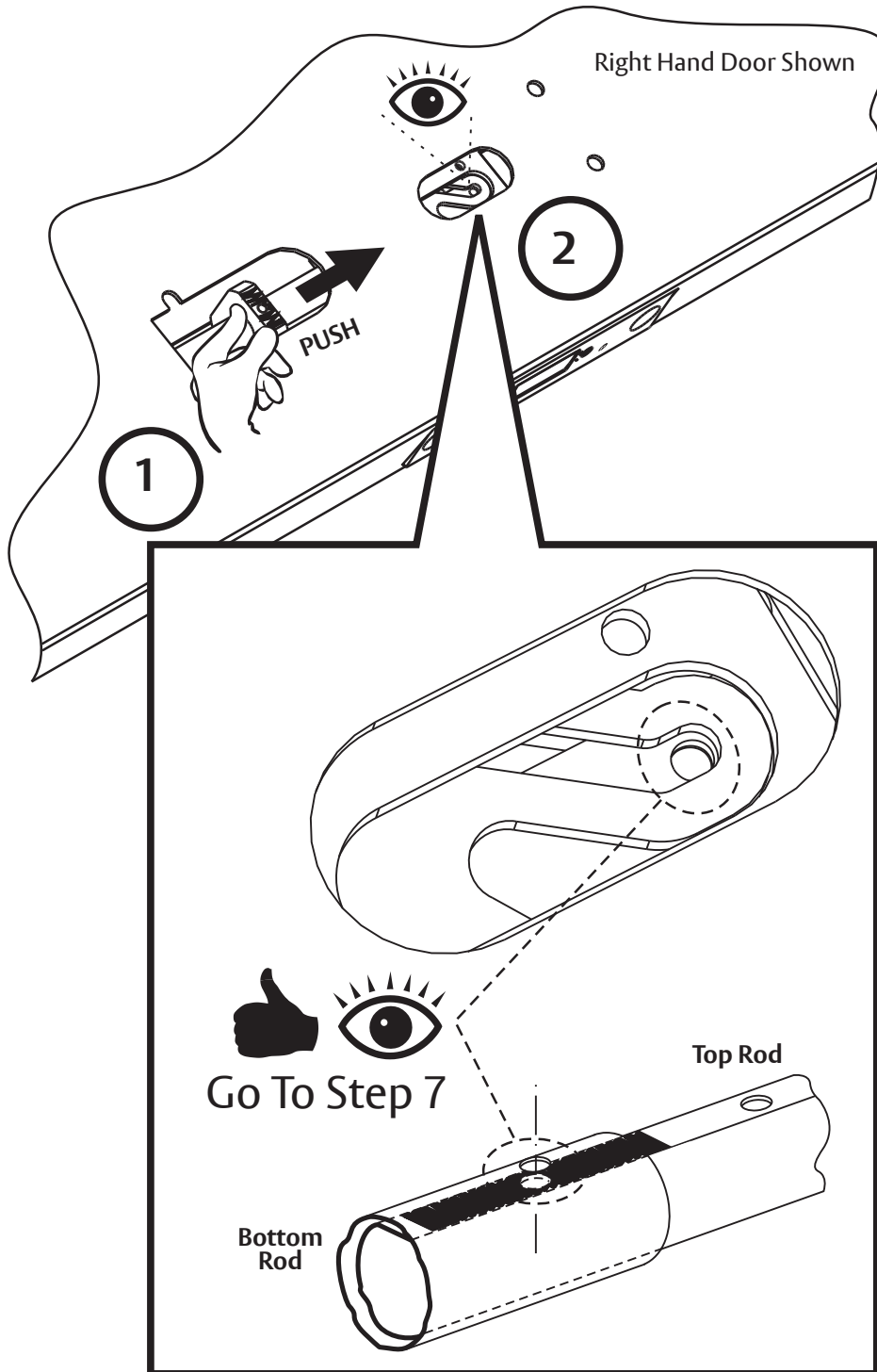


Installation Instructions

5. Install Top Assembly

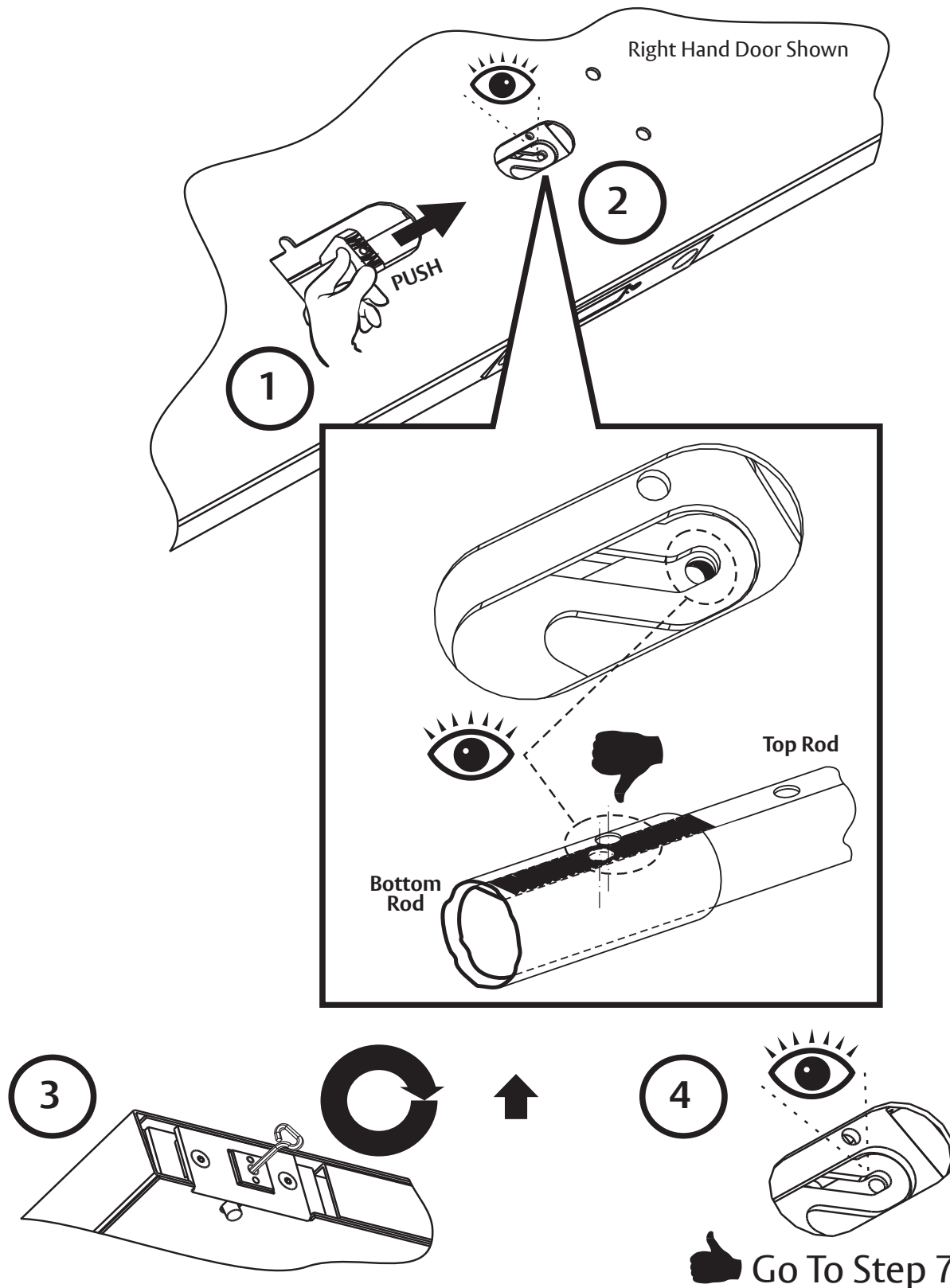


6. Align Top & Bottom Rod Pinning Holes

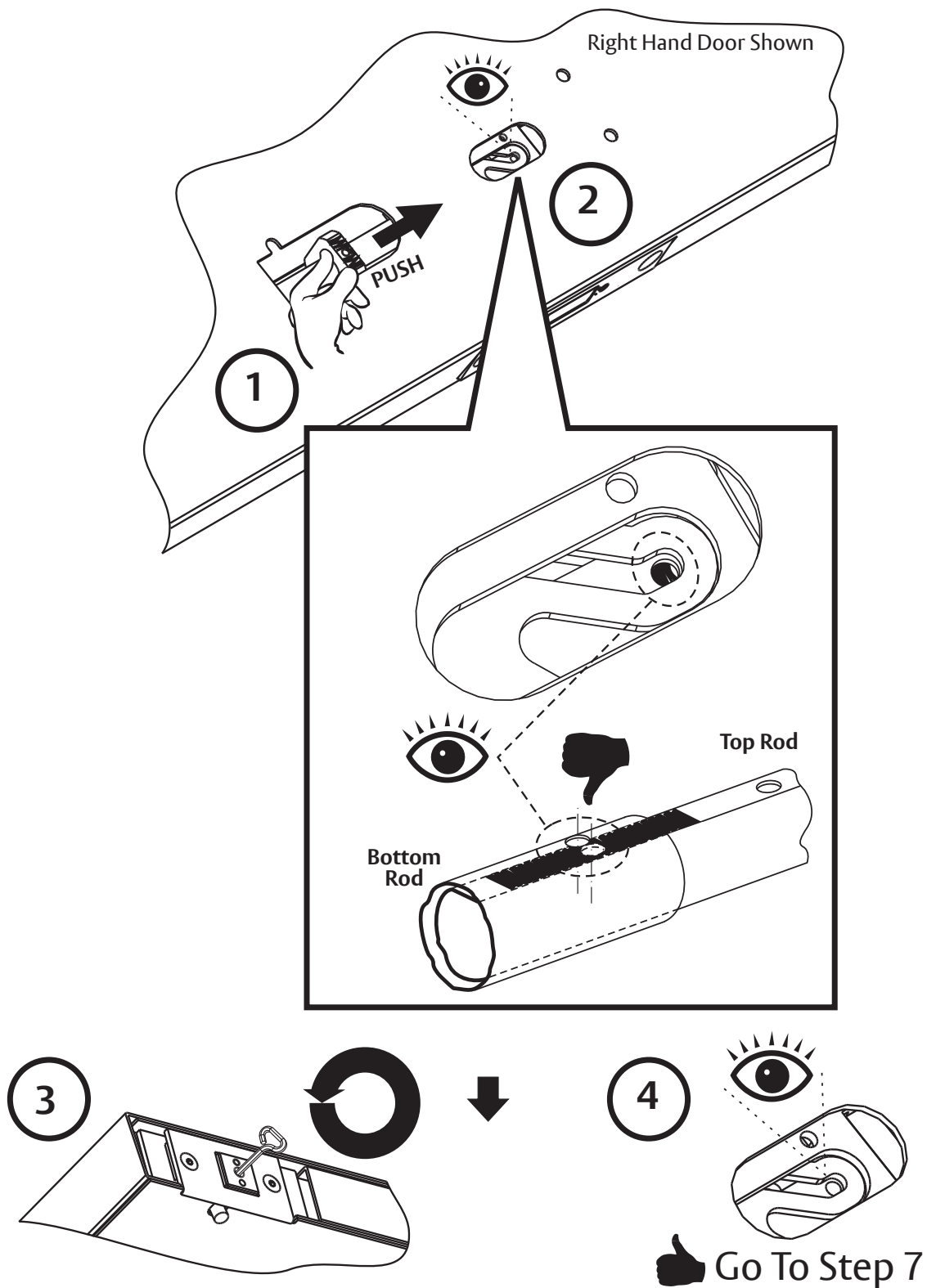


Installation Instructions

6a. Adjust Misaligned Pinning Holes Up

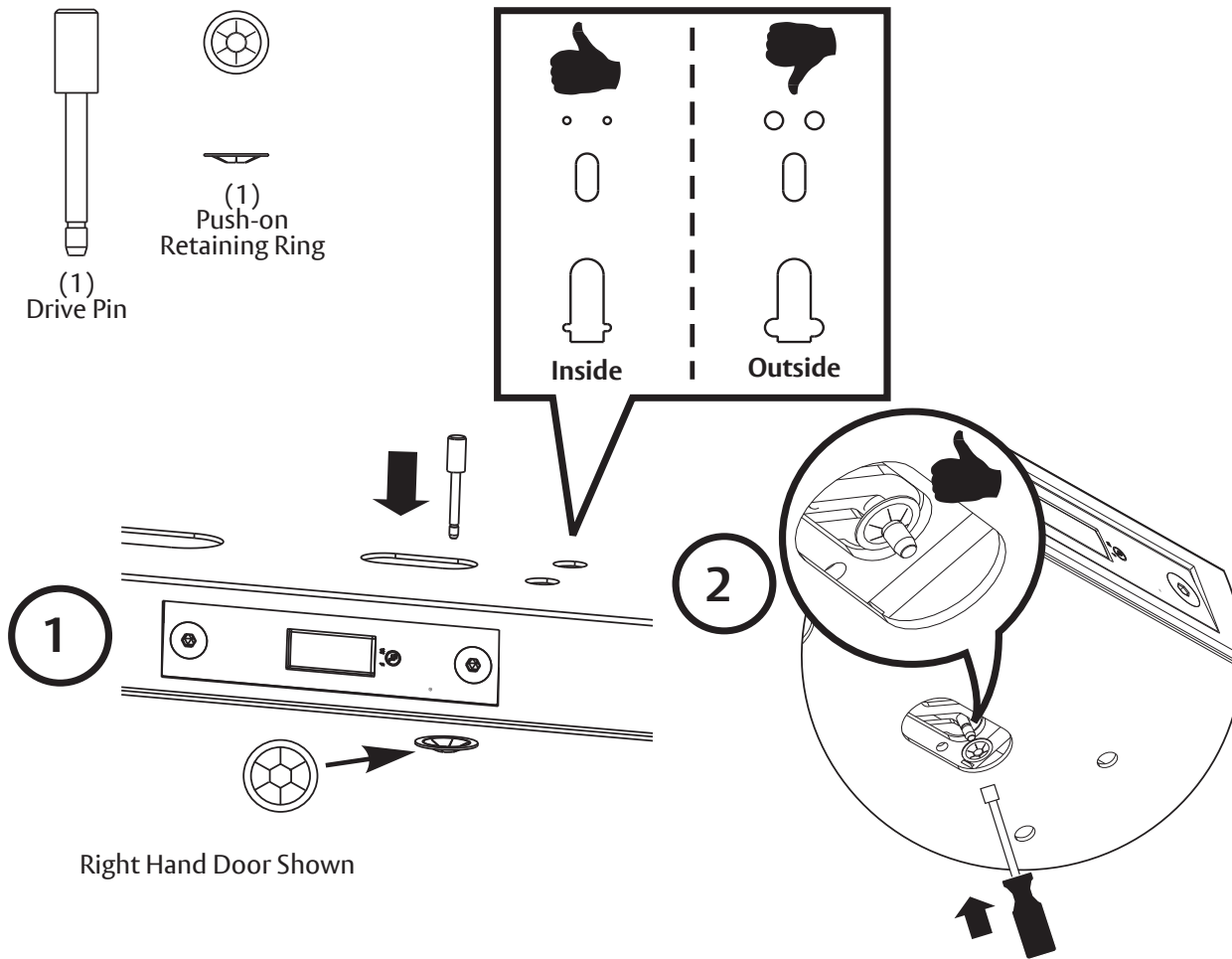


6b. Adjust Misaligned Pinning Holes Down

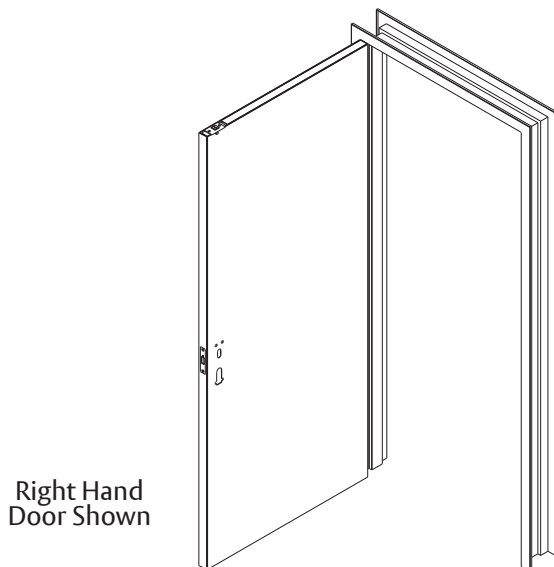


Installation Instructions

7. Pin Three Assemblies

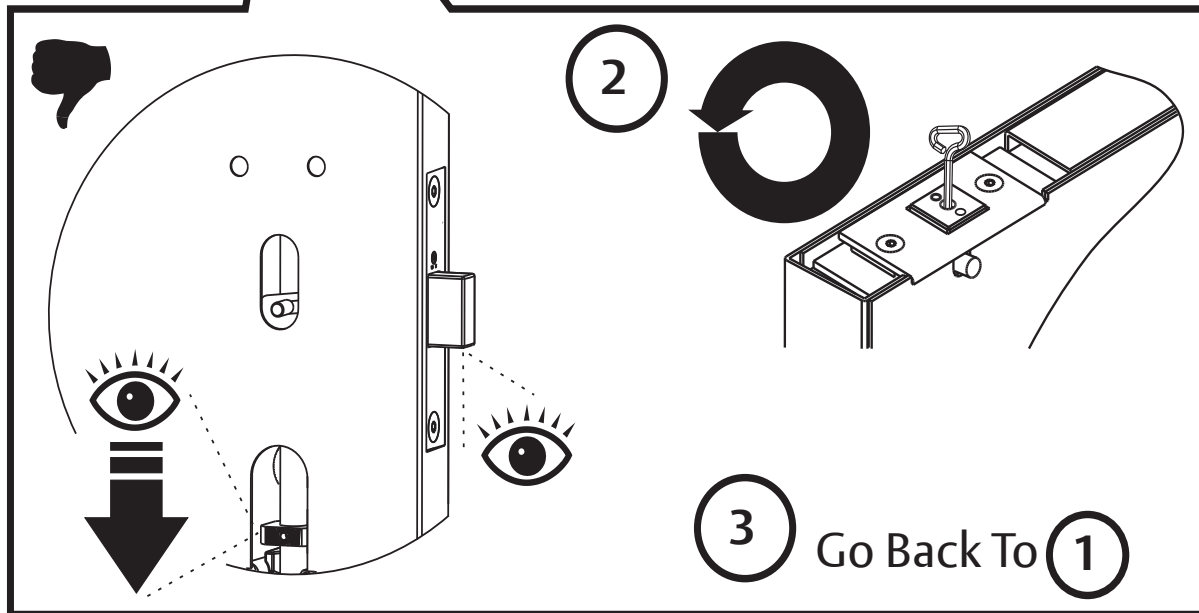
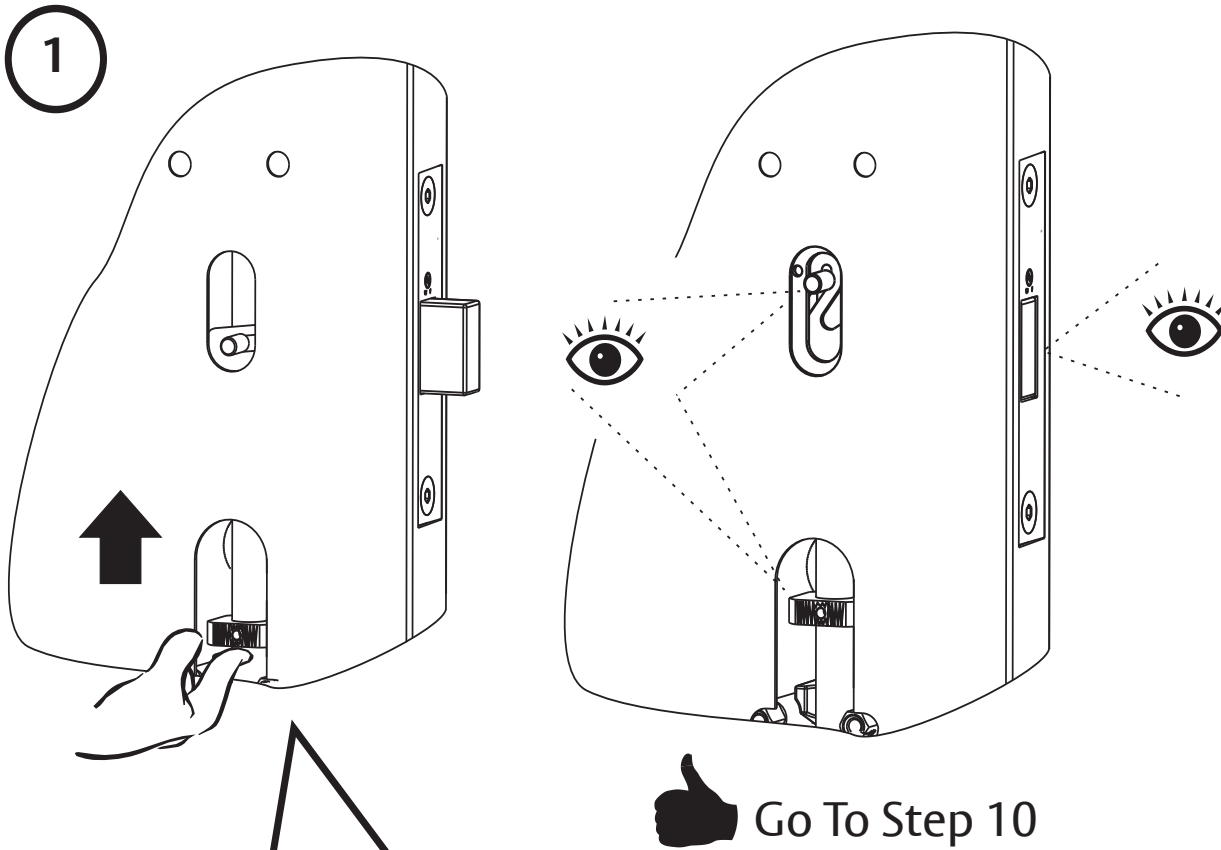


8. Mount Door to Frame



! IMPORTANT: Do not trim door if door rubs along floor!

9. Check for Hold Open

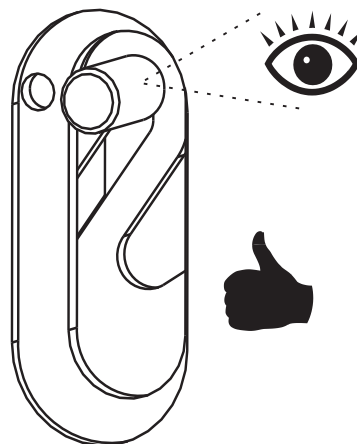
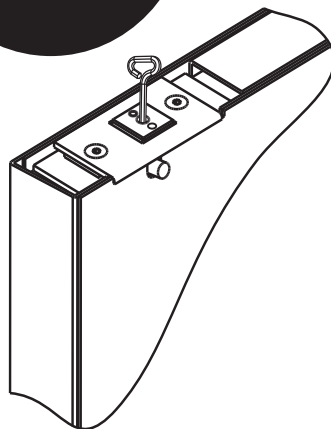


Installation Instructions

10. Adjust Device

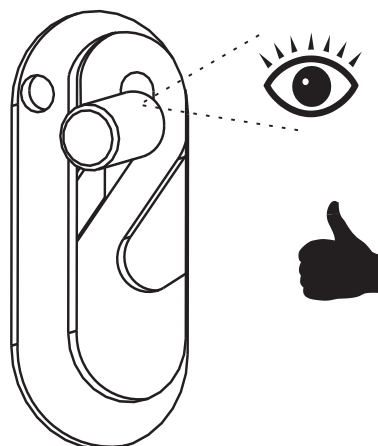
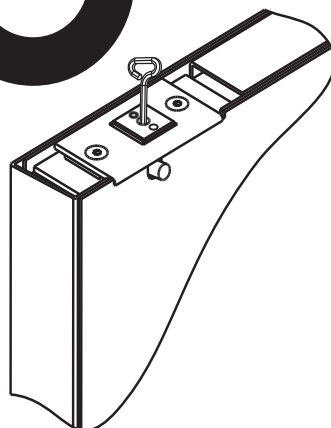
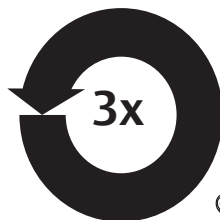
1

⚠ IMPORTANT: Device Must Be In HOLD OPEN Before Adjusting Device.

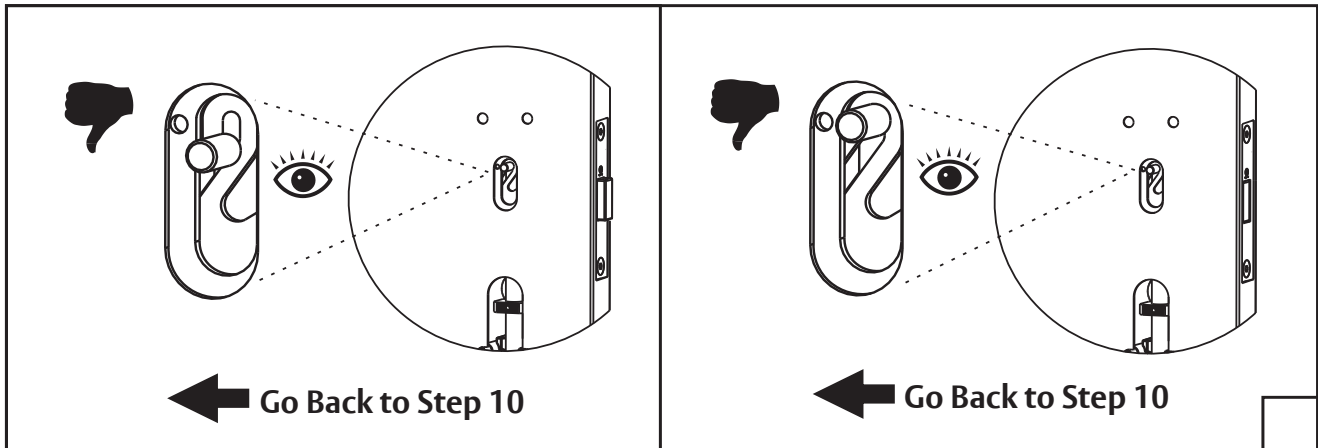
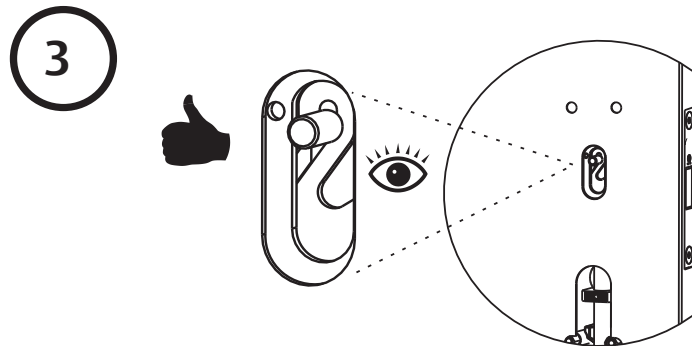
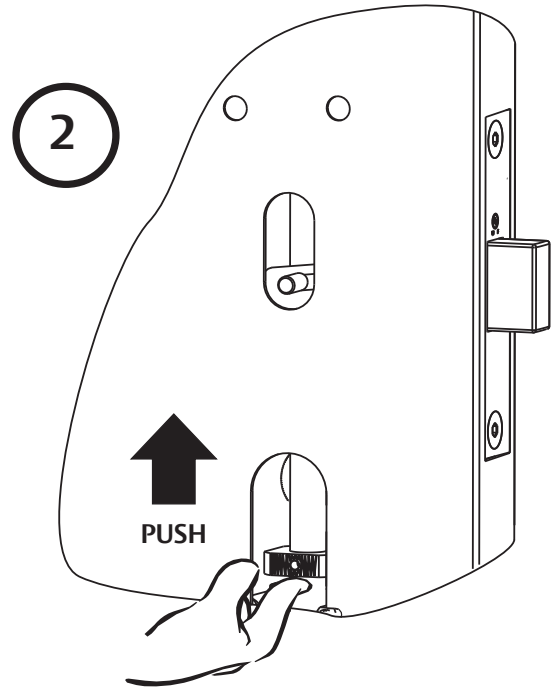
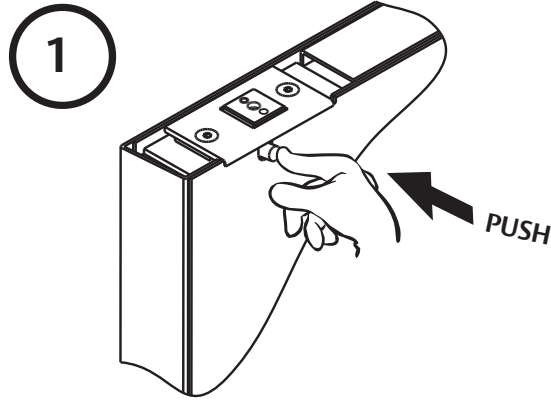


2

⚠ IMPORTANT: Must Rotate Exactly Three Revolutions.

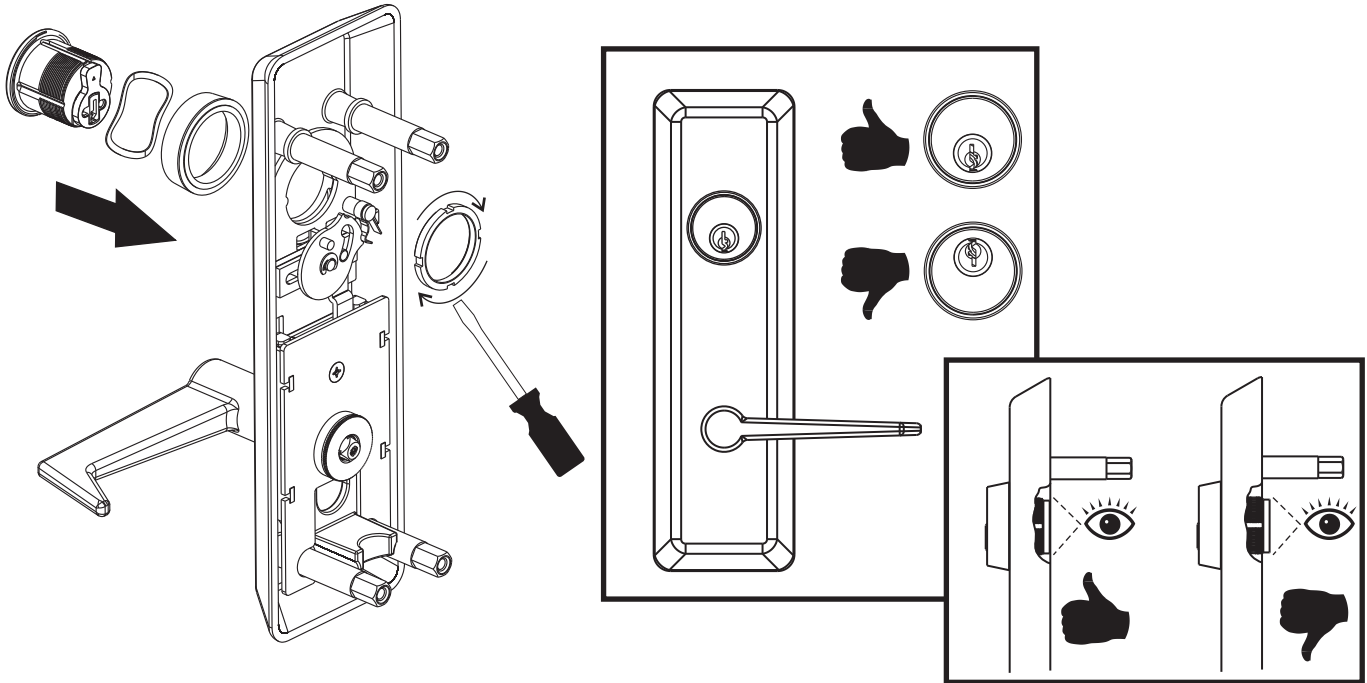


11. Trigger Device & Final Check

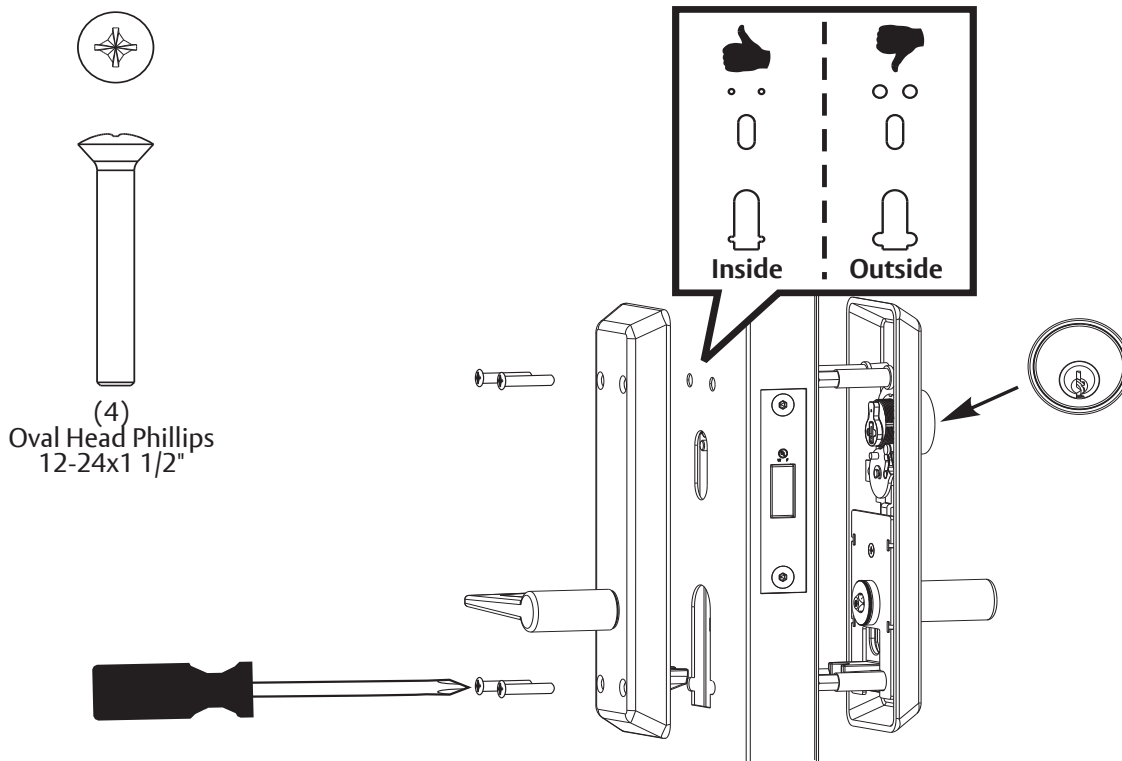


Installation Instructions

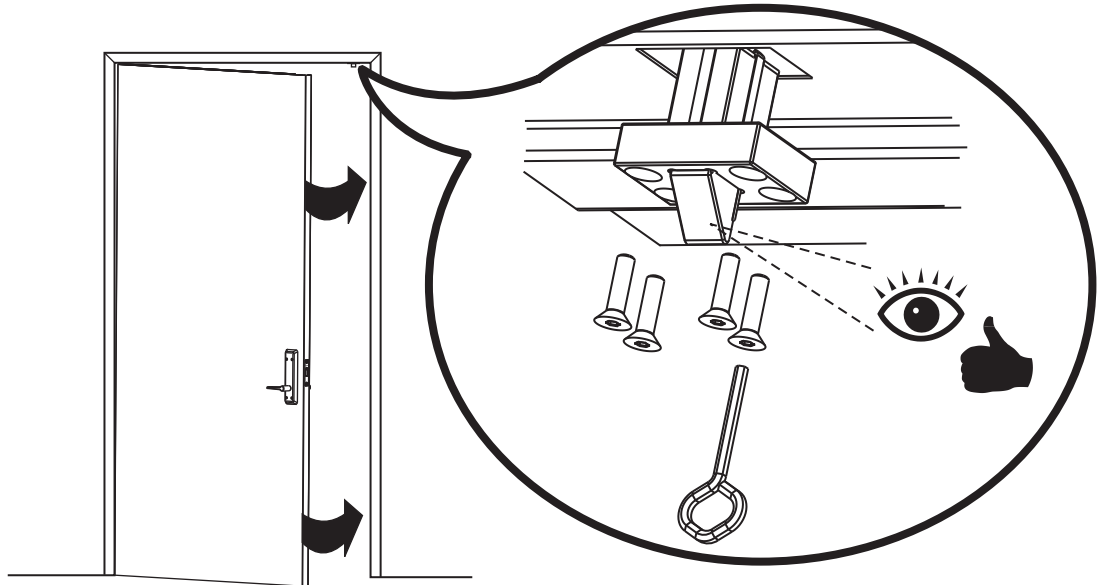
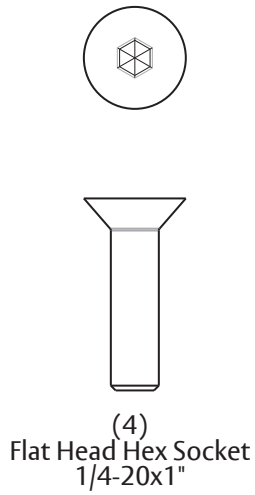
12. Assemble Cylinder into Outside Trim



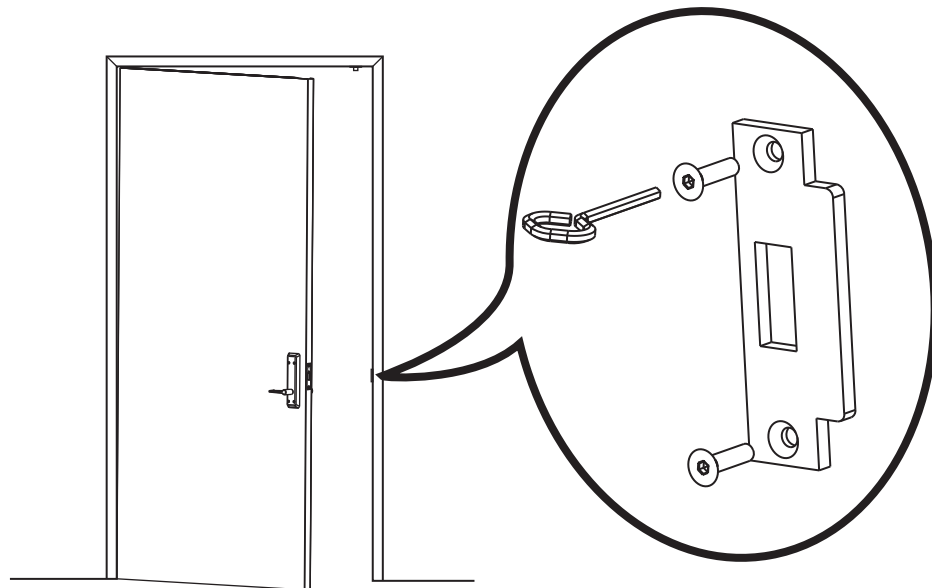
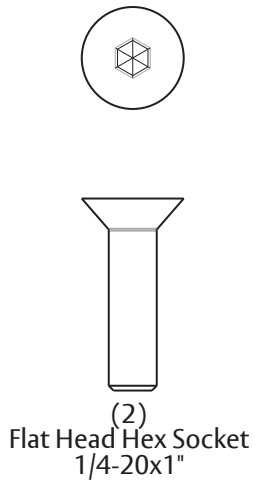
13. Mount Outside and Inside Trim



14. Install Top Latch into Door Frame

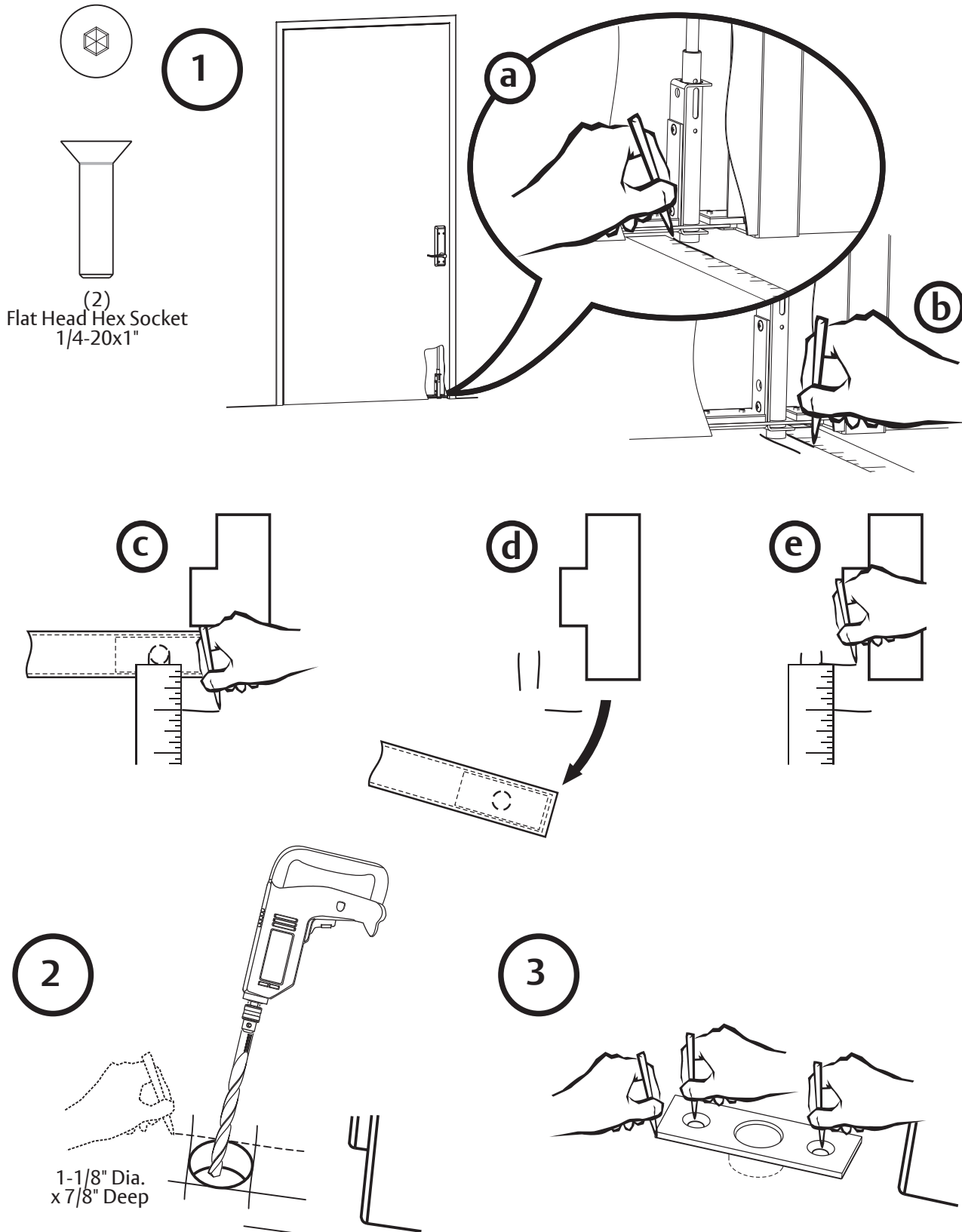


15. Attach Deadbolt Strike Plate to Frame

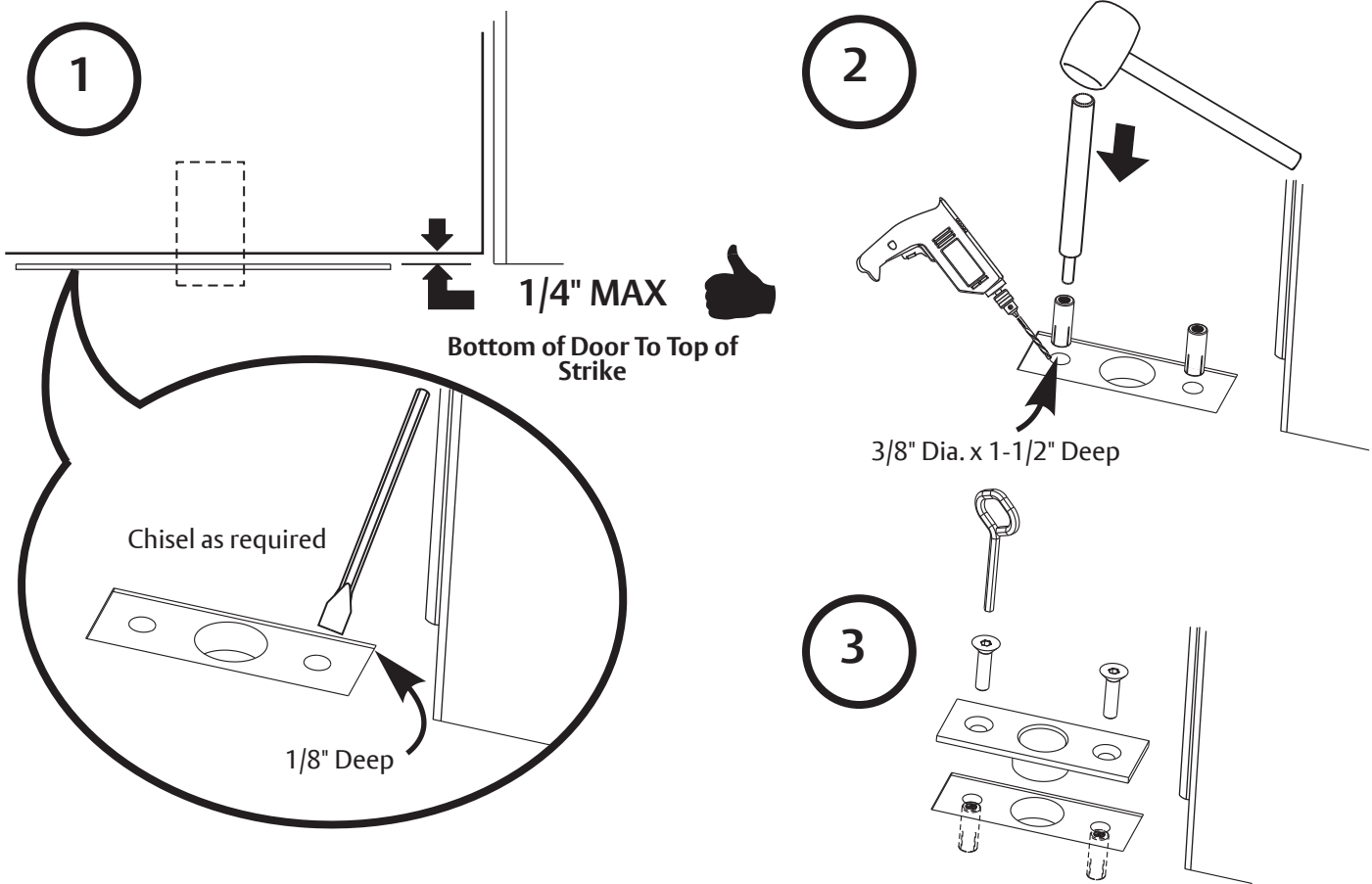


Installation Instructions

16. Prepare Floor for Bottom Strike



17. Install Bottom Strike



18. Test Installation

