



DISCONTINUED

7380F Series

Multi-point Locking System

An ASSA ABLOY Group brand



ASSA ABLOY is transitioning the Yale Commercial brand to ACCENTRA. This affects only the brand name; the products and product numbers will remain unchanged. Prior to May 20, 2024, products may be shipped either as Yale Commercial brand or ACCENTRA brand. Products shipping after May 20, 2024, will be branded ACCENTRA.



7380F series | multi-point locking system

a windstorm solution engineered to save lives

Yale® 7380F Series is a three-point auto deadlocking system developed to help protect lives while primarily securing a community shelter and safe room entry. Extra heavy-duty steel components firmly fasten the door to the frame - at top, bottom and center latch points - reinforcing the opening to endure severe wind speeds and flying debris.

The 7380F is fully integrated - part of a complete ASSA ABLOY tornado and hurricane resistant solution with CECO StormPro® 361, CURRIES StormPro® 361 and FLEMING BARON F-5 doors and frames and MCKINNEY® SP hinges.

contents

Introduction 2
 Features and Applications 2-3
 Lever Designs..... 4-5
 Functions 6
 Cylinders 7-8
 Ordering Information..... 9
 Sample Specification 9
 Parts List 10-15

certifications/compliance

Fire Listing

All functions are UL-cUL Listed for use on fire doors having a rating up to and including 3-hours.

Windstorm

Certified (refer to local codes). 7380F series are UL certified for inswing and outswing doors; single door 4'0" x 8'0" maximum to the following guidelines:



Tornado



Hurricane

- Tornado and Hurricane Shelters
- FEMA 320
 - FEMA 361
 - ICC 500

Hurricane

- ANSI/BHMA A250.13
- ASTM E330, E1886, E1996
- TAS201, TAS202, TAS203

Note: Any retrofit or other field modification to a fire rated opening can potentially impact the fire rating of the opening, and Yale Locks & Hardware makes no representations or warranties concerning what such impact may be in any specific situation. When retrofitting any portion of an existing fire rated opening, or specifying and installing a new fire-rated opening, please consult with a code specialist or local code official (Authority Having Jurisdiction) to ensure compliance with all applicable codes and ratings.

backset

2-3/4" (70mm) standard only.

cylinder

1-1/8" (29mm) brass, 6-pin, PARA keyway, keyed random cylinder with two nickel silver keys furnished standard. Optional cylinders available. See page 7-8.

handing

Handing must be specified (RH, LH, RHR or LHR).

bolts

Top Latchbolt: 5/8"

(16mm) stainless steel housing. Through-hardened steel latchbolt with 7/8" (22mm) projection fortified with 1/4-20 steel Holo-Krome® fasteners.



Center Deadbolt: One-piece stainless steel with 1" (25mm) projection.



Bottom Bolt: 3/4" (19mm) diameter steel with 3/4" (19mm) projection and 1/8" (3mm) steel reinforcement plate.



fronts

Top: 1/8" (3mm) thick, through-hardened steel.

Center: 1-1/8" x 4-7/8" x 3/16" (29mm x 124mm x 5mm) thick stainless steel, one piece.

strikes

Center: 1/4" (6mm) thick, stainless steel.

Bottom: Brass with 1/4-20 Holo-Krome® fasteners.

door thickness

Standard for doors 1-3/4" (44mm).

door height

The 7380F series are standard for any door or window storm shutter from 6'8" to 8'0" height. For window storm shutter applications, 1'8" x 3'0" to 4'0" x 6'8" height refer to 7370 series catalog.


finishes

ANSI/BHMA Code	Finish Description
605	Bright Brass, Clear Coated
606	Satin Brass, Clear Coated
609	Satin Brass, Blackened, Satin Relieved, Clear Coated
611	Bright Bronze, Clear Coated
612	Satin Bronze, Clear Coated
613	Dark Oxidized Satin Bronze, Oil Rubbed ¹
613E	Dark Oxidized Satin Bronze - equivalent
616	Satin Bronze, Blackened, Satin Relieved, Clear Coated
619	Satin Nickel Plated, Clear Coated
620	Satin Nickel Plated, Blackened, Satin Relieved, Clear Coated
625	Bright Chrome Plated
626	Satin Chrome Plated 
629	Bright Stainless Steel ³
630	Satin Stainless Steel ³ 
693	Black Painted
722	Black Oxidized Bronze, Oil Rubbed ²

1. New May 1, 2010

2. Formerly 613 prior to May 1, 2010

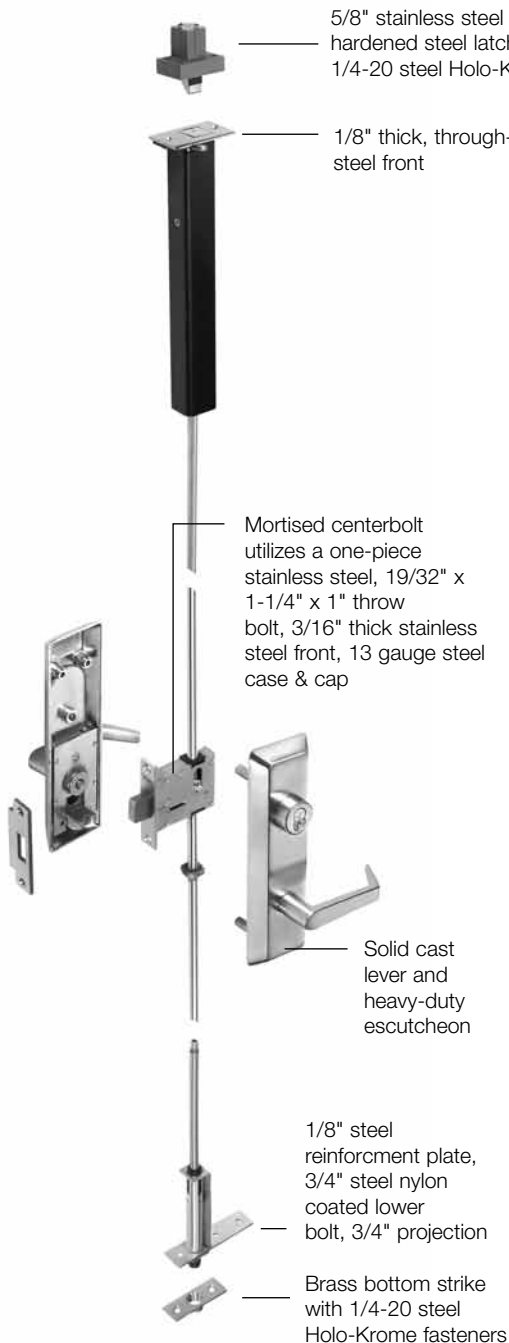
3. Trims are plated to simulate stainless steel.

 Finish available with MicroShield® antimicrobial coating, additional finishes by special application. Consult factory for availability.

features and applications

applications

This device is ideal for doors and inswing window storm shutters in Community Shelters and Safe Rooms, Corporate Campuses, Schools, Healthcare Facilities and Government Facilities.



warranty

The 7380F series multi-point lock carries a 7-year warranty.

operation

The 7380F features concealed vertical rods with a top latchbolt and bottom deadbolt which are complemented by an automatically projecting deadbolt at the center of the door. Operating the trim retracts the bolts simultaneously. Once retracted the bolts are held in position as the door swings. When the door is closed, the hold back feature of the device engages the frame and all bolts project simultaneously.

additional features

- Solid cast levers
- Heavy-duty escutcheon
- Through-bolted on door for solid attachment
- Extra heavy-duty steel components automatically secure the door to the frame at top, bottom and center locations.
- All multi-points are activated automatically when the door is closed

microshield®

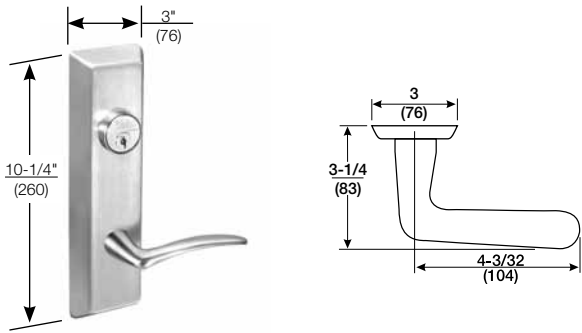
7380F series multi-point locks are available with *MicroShield* antimicrobial coating. *MicroShield* is a revolutionary hardware finish coating, using a silver ion based technology, which inhibits the growth of bacteria, algae, yeast, fungus, mold and mildew. *MicroShield* is non-toxic and lasts for the lifetime of the finish to which it is applied. To order, suffix option code "YMS".

Note: *MicroShield* coating may vary finish color from architectural standards. *MicroShield* is not intended as a substitute for traditional infection control programs such as hand hygiene or use of disinfectants. Coated products must still be cleaned to insure the surfaces will be free of destructive microbes. Yale makes no representations or warranties, express or implied, as to the efficacy of *MicroShield*.

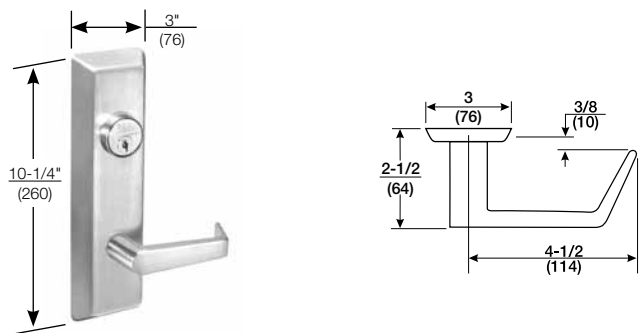
lever designs

Lever: Solid Cast Brass
Escutcheon: Heavy-duty Forged

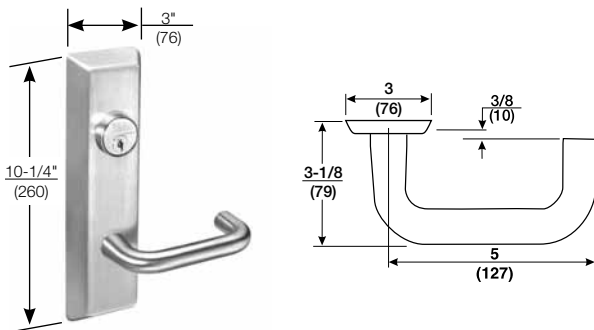
arcadia AR



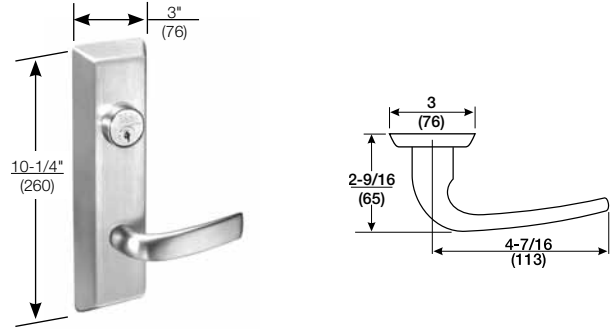
augusta AU



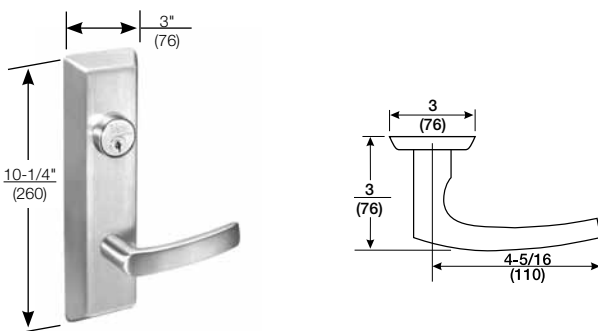
carmel CR



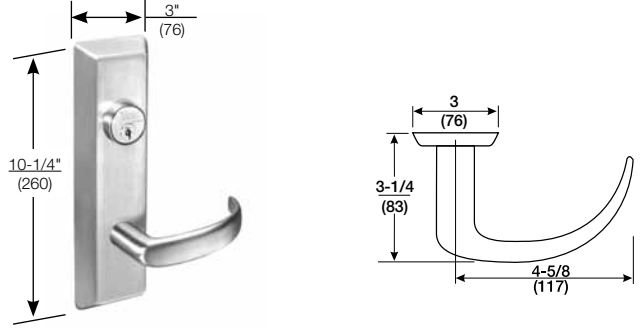
jefferson JN



monroe MO



pacific beach PB



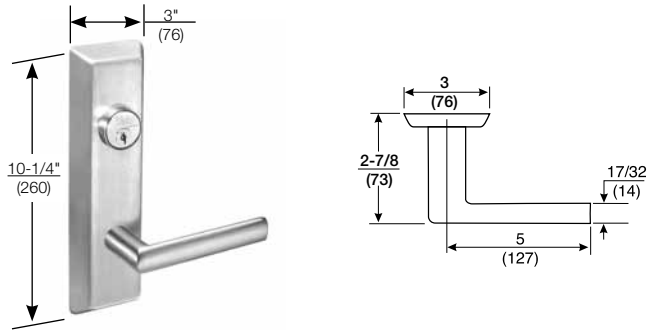
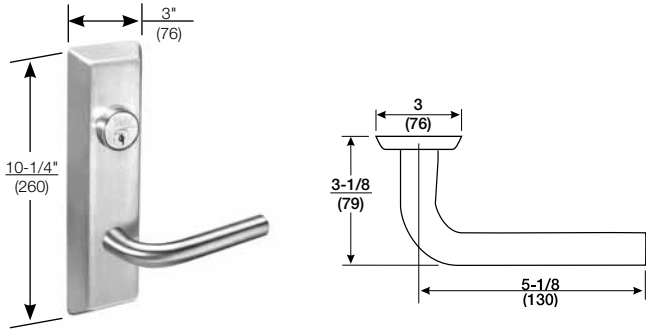
Dimensions are shown in inches (millimeters).

lever designs

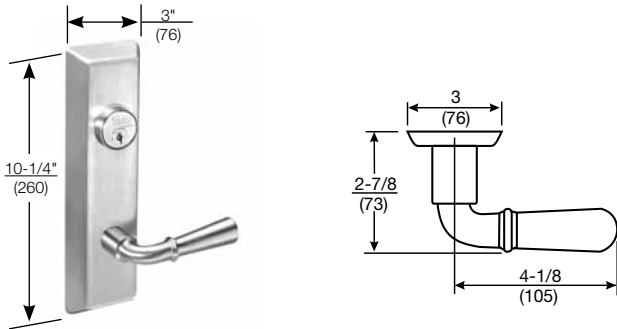
Lever: Solid Cast Brass
Escutcheon: Heavy-duty Forged

pinehurst PN

virginia VI

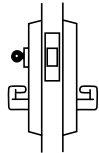
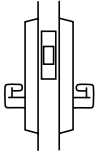
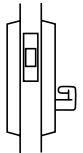


hampton HA



Dimensions are shown in inches (millimeters).

functions

Outside/Inside	Series/Function	Type	Function Description
	7388F	Classroom	<ul style="list-style-type: none"> • Three-point auto deadlocking • Three-point latch retraction by lever either side, unless outside lever is locked by key outside • Inside lever always free
	7381F	Passage or Closet	<ul style="list-style-type: none"> • Three-point auto deadlocking • Three-point latch retraction by lever either side • Both levers always free
	7384F	Passage Lever x Blank Plate	<ul style="list-style-type: none"> • Three-point auto deadlocking • Three-point latch retraction by inside lever • Lever on one side, blank plate on the other • Lever always free

cylinders

cylinder options

The following selection guide indicates the correct cylinder for each locking segment.

7380F Series		Types of Cylinder Mechanisms								
		Conventional		Protected Keyway		Security		High Security		
Cylinder Types	Fixed Core	6-pin	7-pin	6-pin	7-pin	6-pin	7-pin	6-pin	7-pin	
	Mortise	2153	2153	K100	K100	5153	5153	N/A	N/A	
	Interchangeable Core									
	LFIC	2196	2197	K820	K820	5196	5197	N/A	N/A	
SFIC	N/A	N/A	K620	K620	N/A	N/A	N/A	N/A		

Refer to Yale® KeyMark® and/or Cylinders and Keys Catalog sections for all details and how-to-order examples.



Yale® KeyMark®

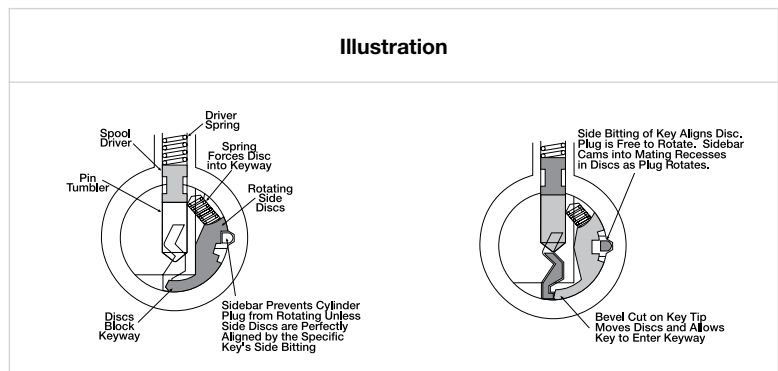
For those applications requiring protected key control, Yale® KeyMark® cylinders guard against unauthorized key duplication. The *Yale KeyMark Security Leg®* keyway feature increases resistance against picking and impressioning and can easily retrofit into existing systems. For further details and availability, refer to the separate *Yale KeyMark* catalog.



security cylinders

Security cylinders contain two independent locking mechanisms. The first is a traditional 6-pin tumbler mechanism with spool drivers for greatly increased picking resistance.

The second is an innovative 5-tumbler rotating disc mechanism with sidebar engagement. The rotating discs are spring loaded and block the bottom of the keyway.



cylinders

other manufacturers keyway cylinders/cores

Illustration	Model Number	Type	Cam	Length	Pins	Housing Only Model Number	Core Only Model Number
	A620	Small Format IC Mortise, includes Best® Keyway Core. Available keyed random, master keyed or uncombined. Specify keyway A, B, C, D, E, F, G, H, J, K, L or M.	KC1	1-1/4"	6	K660	A600
				1-3/8"	6 or 7		
	2553	Fixed Core Mortise Schlage® "C" Keyway Cylinder. Available 0-bitted or keyed random.	2160	1-1/8"	6	N/A	N/A

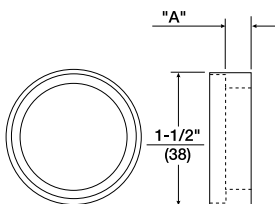
cylinder collars

Cylinder collars are supplied as standard. Collar size is supplied to suit the length and type of the cylinder.

1765 Recessed Cylinder Collar

"A" Dimension: Thicknesses from 1/16" (2mm) to 1-15/32" (37mm) as required.

Material: Brass, Bronze



KP3 Wave Washer
(Furnished standard with 1765 collar for Yale® Keymark®)

collars for use with 7380F series escutcheons

Door Thickness	2153, 5153, Fixed Core Mortise Cylinders			2196, 5196, 2197, 5197 LFIC Cylinders		K100 Yale® KeyMark® Fixed Core Cylinders		K820, K860 Yale® KeyMark® LFIC Cylinders		K620, K630 K660, K670, A620, A630 Yale® KeyMark® and Best® Keyway SFIC Cylinders	
	No. of Pins	Cylinder Length	Collar Required	Cylinder Length	Collar Required	Cylinder Length	Collar Required	Cylinder Length	Collar Required	Cylinder Length	Collar Required
1-3/4 (44)	6	1-1/8"	1765.281	1-1/2"	1765.719	1-1/8"	1765.344	1-1/2"	1765.719	1-1/4"	1765.344
	6 or 7	1-1/4"	1765.437	1-11/16"	1765.924	1-1/4"	1765.437	1-11/16"	1765.924	1-3/8"	1765.563
	6 or 7	1-3/8"	1765.594			1-1/2"	1765.719				
	6 or 7	1-1/2"	1765.719								



ordering information

From this outline select the Model Number for the Yale® 7380F Series Lockset you require.

Design	Function	Hand	Cylinder	Finish	Keying	Additional Options
See Page 4-5	See Page 6	See Page 2	See Page 7	See Page 2	Specify	Specify

ordering example

Quantity	Design	Function	Hand	Cylinder	Finish	Keying	Additional Options
100	AU	7388F	RH	K100	630	AA1	YMS

suggested specification

Multi-Point Auto Deadlocking Devices shall be 7380F Series as supplied by Yale Locks & Hardware.

Multi-point auto deadlocking devices are engineered for use on inswing and outswing door applications at hurricane and tornado safe shelter room locations. Concealed, fortified steel construction secures the door to the frame at top, bottom and center positions. All three locking points shall be automatically activated when the device is closed and retracted with one single motion upon exiting.

Multi-point auto deadlock shall be part of an integrated door, frame and hardware assembly UL certified to FEMA 361, ICC 500, ANSI/BHMA A250.13, ASTM E330, E1886, E1996, TAS201, TAS202, and TAS203 for both inswing and outswing doors.

Device shall be manufactured in compliance with NFPA 80 and NFPA 101 life-safety requirements and UL-cJUL approved for use on fire doors having a rating up to and including 3-hours.

Latchbolts shall be constructed as follows:

- Mortised Centerbolt:
 - Single piece, 13 gauge chrome plated steel lock case with 3/16" thick stainless steel front.
 - Stainless steel, 1" throw deadbolt.
 - 2-3/4" backset standard with 1/4" stainless steel centerbolt strike.
- Top Latch:
 - Through-hardened steel latchbolt with 7/8" projection
 - 1/8" steel latchbolt front
 - 5/8" stainless steel latch housing secured with 1/4-20 Holo-Krome® fasteners.
- Bottom Bolt:
 - 3/4" diameter steel nylon coated bolt with 3/4" projection and 1/8" steel reinforcement plate
 - Brass strike housing secured with 1/4-20 Holo-Krome® fasteners.

Devices shall be provided with heavy-duty escutcheon trim and solid cast levers matching the design style and architectural finishes as the balance of the locksets and latches specified.

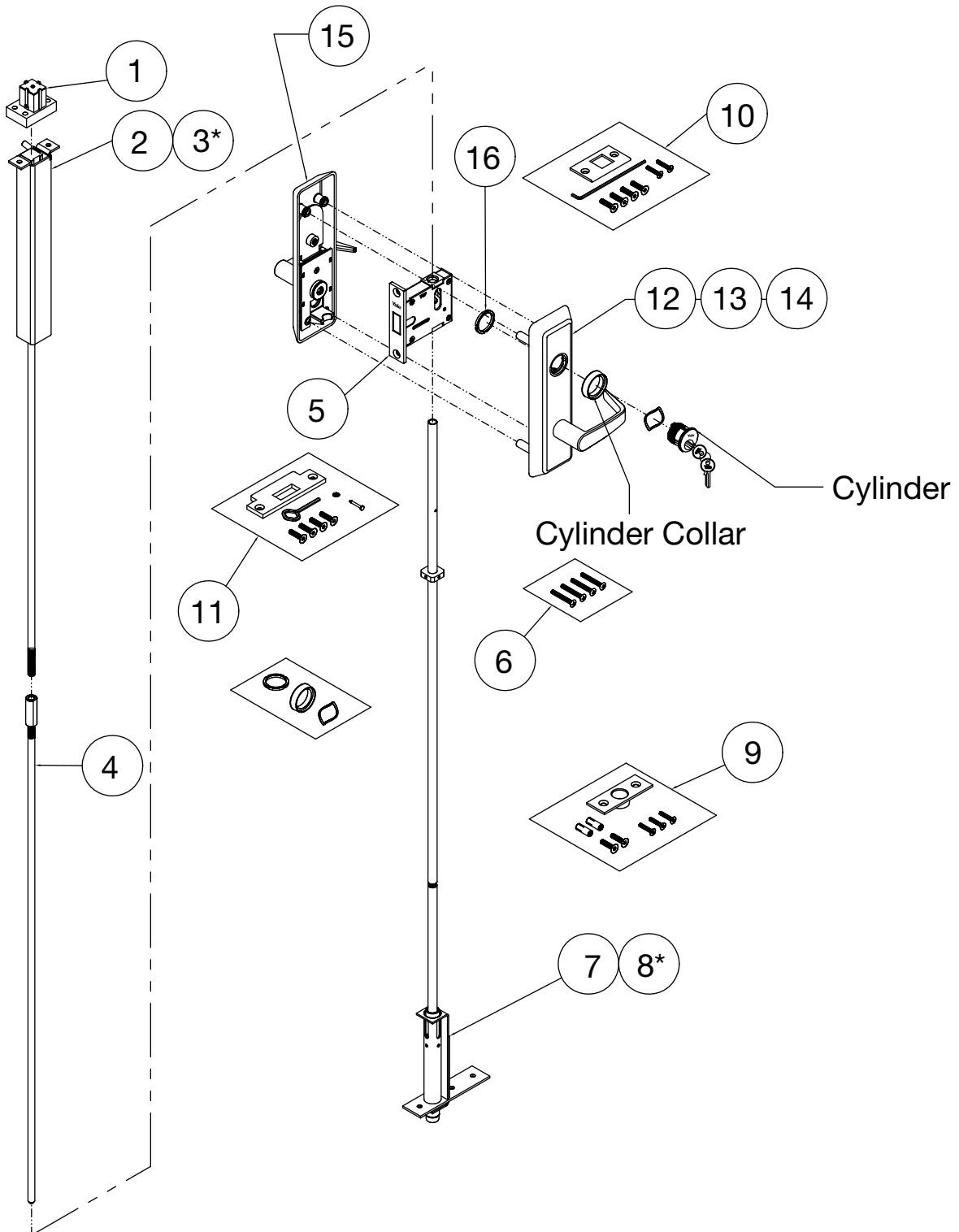
All multi-point auto deadlocking devices shall have a seven-year limited warranty.

parts list

Item #	Part #	Description	Passage or Closet 7381F	Passage Lever x Blank Plate 7384F	Classroom 7388F
1	60-7380-0008	Top Latch Assembly	1	1	1
2	60-7380-0009	Top Bolt Sub-Assembly for 6'8" - 8' Doors	1	1	1
3*	60-7380-0024	Top Bolt Sub-Assembly for 5'6" - 6'8" Doors	1*	1*	1*
4	60-7380-0010	Rod & Coupling Sub-Assembly	1	1	1
5	60-7380-0011	Deadbolt Sub-Assembly	1	1	1
6	60-7380-0013	Trim Mounting Packet	1	1	1
7	60-7380-0014	Bottom Bolt Sub-Assembly for 6'8" - 8' Doors	1	1	1
8*	60-7380-0025	Bottom Bolt Sub-Assembly for 5'6" - 6'8" Doors	1*	1*	1*
9	60-7380-0015	Bottom Bolt Mounting Packet	1	1	1
10	60-7380-0016	Front and Top Mounting Packet	1	1	1
11	60-7380-0017	Strike and Deadbolt Mounting Packet	1	1	1
12	60-7380-0026	Outside Escutcheon Assembly - Blank (7384F)	—	1	—
13	60-7380-0027	Outside Escutcheon Assembly - Lever Only (7381F)	1	—	—
14	60-7380-0028	Outside Escutcheon Assembly - Lever & Cylinder (7388F)	—	—	1
15	60-7380-0029	Inside Escutcheon (All Functions)	1	1	1
16	60-7000-2421	Cylinder Nut	—	—	1

*Optional Door Height

parts list



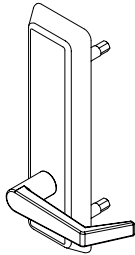
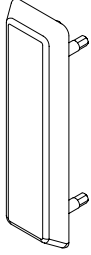
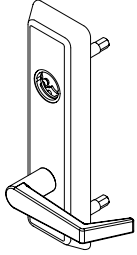
parts list

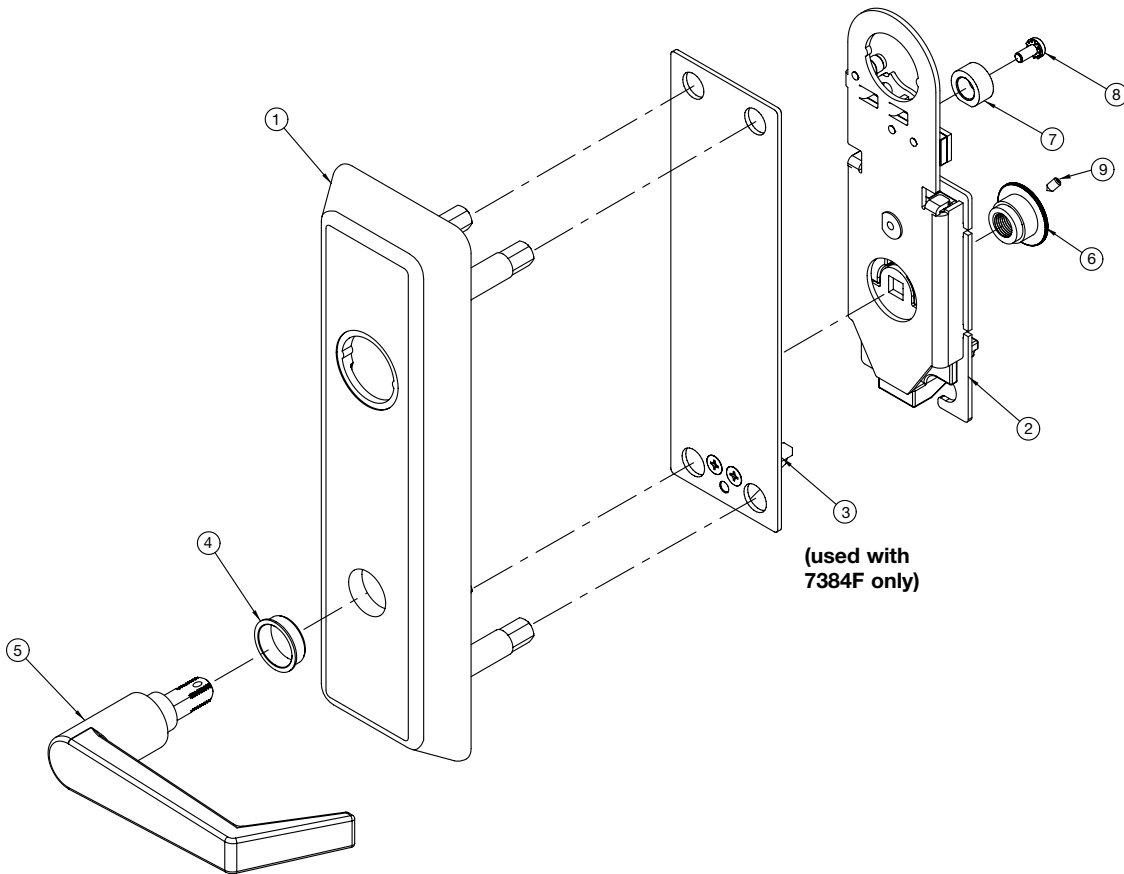
outside escutcheon assembly

Item #	Name	Quantity	7381F 60-7380-0027	7384F 60-7380-0026	7388F 60-7380-0028	Part Numbers
1	Escutcheon	1			X	60-7380-0070
			X			60-7380-0071
				X		60-7380-0072
2	Cassette Sub-Assembly	1			X	Locking 60-7380-0019
			X			Non-Locking 60-7380-0012
3	Fire Plate Sub-Assembly	1		X		60-7380-0018
4	Bushing	1	X		X	10-0086-9037
5	Augusta AU	1	X		X	60-7380-0051
	Arcadia RH/LH AR		X		X	60-7380-0052/0053
	Carmel CR		X		X	60-7380-0054
	Jefferson JN		X		X	60-7380-0055
	Monroe MO		X		X	60-7380-0056
	Pacific Beach PB		X		X	60-7380-0057
	Virginia VI		X		X	60-7380-0058
	Hampton HA		X		X	60-7380-0059
Pinehurst PN	X		X	60-7380-0060		
6	Nut	1	X		X	60-7380-0004
7	Spacer	1	X			60-7380-0006
8	Screw - PPHM #8-32 x 3/8"	1	X			60-7380-0003
9	Set Screw	1	X		X	99-9999-3100

parts list

outside escutcheon assembly

<p>7381F Part No. 60-7380-0027 Outside Non-Locking</p>	<p>7384F Part No. 60-7380-0026 Outside Blank</p>	<p>7388F Part No. 60-7380-0028 Outside Locking</p>
		



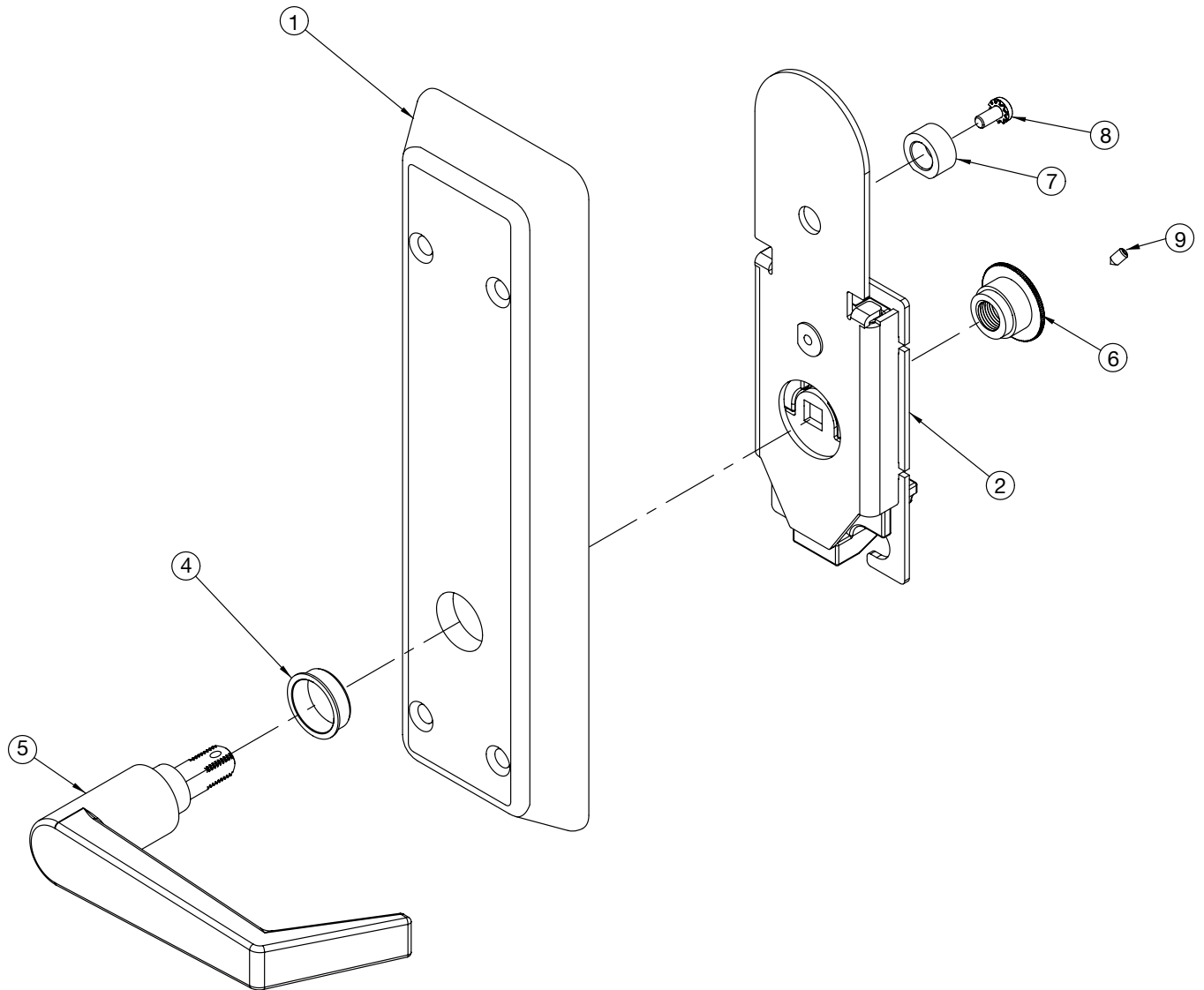
parts list

inside escutcheon assembly

Item #	Name	Quantity	7381F/7384F/7388F 60-7380-0029 (Complete)	Part Numbers
1	Escutcheon	1	X	60-7380-0075
2	Cassette Sub-Assembly	1	X	60-7380-0012
4	Bushing	1	X	10-0086-9037
5	Augusta AU	1	X	60-7380-0051
	Arcadia RH/LH AR		X	60-7380-0052/0053
	Carmel CR		X	60-7380-0054
	Jefferson JN		X	60-7380-0055
	Monroe MO		X	60-7380-0056
	Pacific Beach PB		X	60-7380-0057
	Virginia VI		X	60-7380-0058
	Hampton HA		X	60-7380-0059
	Pinehurst PN		X	60-7380-0060
6	Nut	1	X	60-7380-0004
7	Spacer	1	X	60-7380-0006
8	Screw - PPHM #8-32 x 3/8"	1	X	60-7380-0003
9	Set Screw	1	X	99-9999-3100

parts list

inside escutcheon assembly





online literature and templates

For the latest information on Yale Locks & Hardware products, visit our website at: www.yalelocks.com

Click on the "Product Information" button to find:

- Catalogs
- Parts manuals
- Templates
- Specifications
- Installation instructions

Yale® customers can click on the ebusiness symbol  on the website to register for an ebusiness account to:

- Check the status of orders
 - Check availability of QuickShip items
 - Track your order and confirm delivery
 - Receive email notification of template changes
- And More...

Or contact us at:

U.S.A.

Yale Locks & Hardware

Address: 225 Episcopal Road, Berlin, CT 06037-4004

Tel: 1-800-438-1951 • Fax: 1-800-338-0965 • www.yalelocks.com

Canada:

ASSA ABLOY Door Security Solutions Canada

Address: 160 Four Valley Drive, Vaughan, Ontario L4K 4T9

Tel: 1-800-461-3007 • Fax: 1-800-461-8989 • www.assaabloy.ca

International:

ASSA ABLOY Americas International

Tel: 1-905-821-7775 • Fax: 1-905-821-1429 • www.assaabloyai.com

Yale Locks & Hardware is a division of Yale Security Inc., an ASSA ABLOY Group company.

Yale® and MicroShield® are registered trademarks of Yale Security Inc., an ASSA ABLOY Group company. KeyMark® and Security Leg® are registered trademarks of Medeco Security Locks, Inc., an ASSA ABLOY Group company. Other products' brand names may be trademarks or registered trademarks of their respective owners and are mentioned for reference purposes only. These materials are protected under U.S. copyright laws. All contents current at time of publication. Yale Security Inc. reserves the right to change availability of any item in this catalog, its design, construction, and/or its materials. Copyright © 2009, 2013 Yale Security Inc., an ASSA ABLOY Group company. All rights reserved. Reproduction in whole or in part without the express written permission of Yale Security Inc., an ASSA ABLOY Group company is prohibited.

YALE, with its unique global reach and range of products, is the world's favorite lock.

ASSA ABLOY is the global leader in door opening solutions, dedicated to satisfying end-user needs for security, safety and convenience.

42642-9/13RE