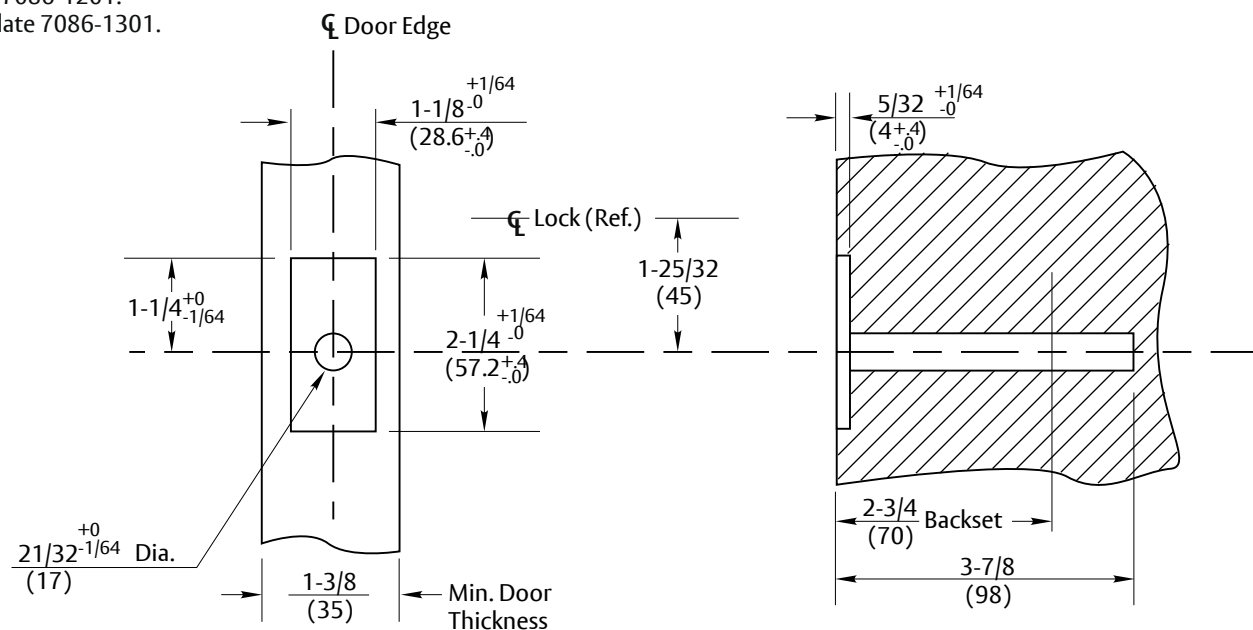


**DO NOT SCALE**

**Notes:**

1. Tolerances shown are for cutouts. All dimensions given about centerlines must be central within tolerance unless otherwise specified.
2. All dimensions given in inches (mm).
3. For Sectional Trim see template 7086-1001.  
For Thru Bolted Escutcheon Trim see template 7086-1201.  
For Surface Applied Escutcheon Trim see template 7086-1301.



Experience a safer  
and more open world

Copyright © 2004, 2006, 2023, ASSA ABLOY Access and Egress Hardware Group, Inc. All rights reserved. Reproduction in whole or in part without the express written permission of ASSA ABLOY Access and Egress Hardware Group, Inc. is prohibited.

**All Series Mortise Locks  
Wood Door Preparation  
836A & 838A Dummy Trim Both Sides (Plain Front)**

Template Number:  
7086-0006  
Sheet: 1 of 1  
Date: 11/23

**ASSA ABLOY**

1-855-557-5078  
www.assaabloy.com