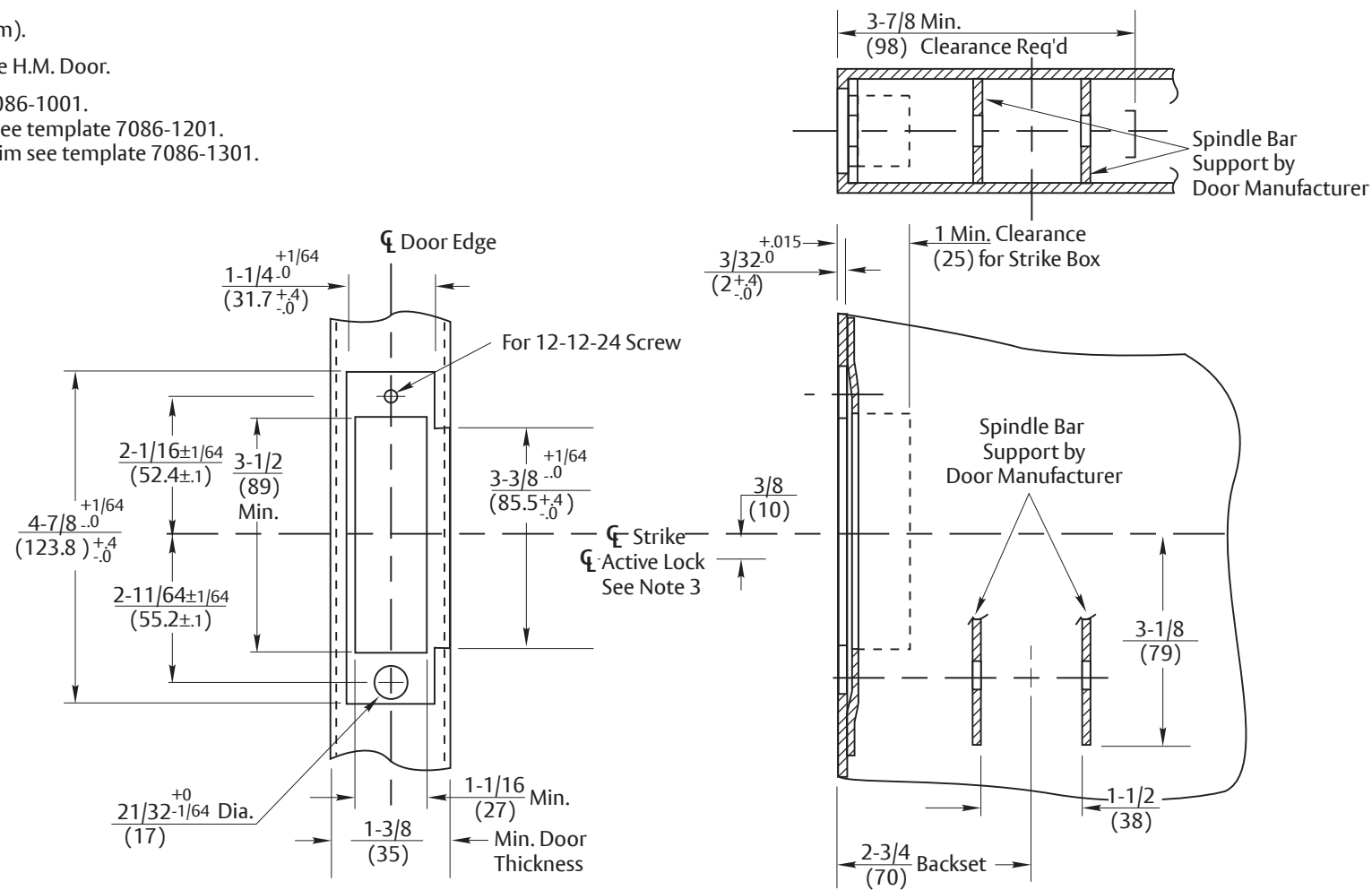


**DO NOT SCALE**

**Notes:**

1. Tolerances shown are for cutouts. All dimensions given about centerlines must be central within tolerance unless otherwise specified.
2. All dimensions given in inches (mm).
3. See template 7086-0001 for Active H.M. Door.
4. For Sectional Trim see template 7086-1001.  
For Thru Bolted Escutcheon Trim see template 7086-1201.  
For Surface Applied Escutcheon Trim see template 7086-1301.



LH Inactive Door Shown  
RH Inactive Door Opposite

Experience a safer  
and more open world

All Series Mortise Locks  
H.M. Door Preparation  
836B & 838B Dummy Trim Both Sides  
(ANSI 4-7/8" Strike)

Template Number:  
7086-0009  
Sheet: 1 of 1  
Date: 01/24

**ASSA ABLOY**

1-855-557-5078  
www.assaabloy.com