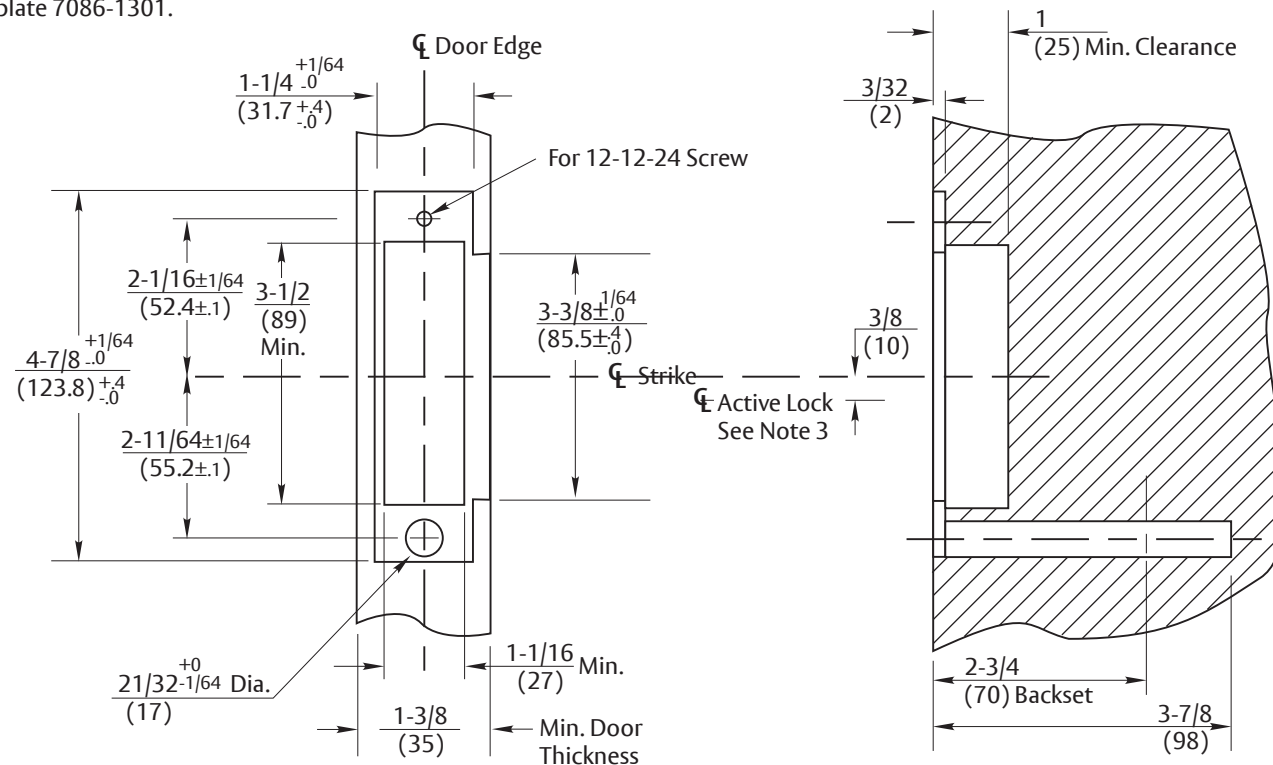


**DO NOT SCALE**

**Notes:**

1. Tolerances shown are for cutouts. All dimensions given about centerlines must be central within tolerance unless otherwise specified.
2. All dimensions given in inches (mm).
3. See template 7086-0002 for Active Wood Door.
4. For Sectional Trim see template 7086-1001.  
For Thru Bolted Escutcheon Trim see template 7086-1201.  
For Surface Applied Escutcheon Trim see template 7086-1301.



LH Inactive Door Shown  
RH Inactive Door Opposite

Experience a safer  
and more open world

Copyright © 2004, 2009, 2024, ASSA ABLOY Access and Egress Hardware Group, Inc. All rights reserved. Reproduction in whole or in part without the express written permission of ASSA ABLOY Access and Egress Hardware Group, Inc. is prohibited.

All Series Mortise Locks  
Wood Door Preparation  
836B & 838B Dummy Trim Both Sides  
(ANSI 4-7/8" Strike)

Template Number:  
7086-0008  
Sheet: 1 of 1  
Date: 01/24

**ASSA ABLOY**

1-855-557-5078  
www.assaabloy.com