

Installation Instructions (Trim)

80-9086-0001-010 (1-89)

Yale® Mortise Locks 4600, 8600 & 8700 Series Yaletronics® 1100, 3100, 3900, 8300 Series Wood Door and Frame Preparation

1. Mark door and position template.

- a. Draw a horizontal centerline for the lock on edge and both sides of door at desired height above finished floor line. Standard height for horizontal centerline is 39-15/16" above finished floor. (See **Figure 1.**)

Note: If mortise for strike already exists in frame, locate horizontal center line of lock using strike mortise as reference. Standard horizontal centerline of strike is 3/8" above lock centerline or 40-5/16" above finished floor.

- b. Using the door marker, draw a vertical centerline on both sides of the door. (See **Figure 1.**)
- c. Draw a vertical line on center of door edge.
- d. Line up horizontal centerline on template with horizontal line marked on door edge. Line up vertical points with vertical line on edge of door. (See **Figure 2.**)
- e. Mark centers of holes for mortise on edge of door. Mark top of armor front and holes for attaching screws.
- f. Mark horizontal position of strike on jamb using the reference centerline on installation template. Mark location of strike lip. **FIRST DETERMINE IF SILENCERS ARE TO BE USED.** To locate vertical centerline of strike, take half the door thickness PLUS the thickness of silencer (if used). Use this dimension to locate the strike centerline from the doorstop. (See **Figure 3.**)

2. Mortise and drill door and frame.

- a. Mortise door edge for lock body. Drill pilot holes for attaching screws.
- b. Adjust front to suit door (beveled or flat edge) by loosening screws at top and bottom of case. Retighten screws securely.
- c. Slide lock body into cavity with armor front attached. Align armor front with top mark. Use lock front as template. Mark outline.
- d. Mortise door edge for lock front (7/32" deep).
- e. Mortise jamb for strike (3/32" deep). Be sure to mortise 1" (25mm) deep to accommodate lock bolts or strike box if used. (See **Figure 3.**)

Note: Before installing lock, prepare door trim per instructions packed with trim.

3. Install lock (Wood or H.M. Door).

- a. Remove armor front.
- b. Insert lock body into cavity in door and secure base front with two #12 combination attaching screws. (Make sure lock is positioned in cutout properly. See **Figure 4.**)

4. Install strike.

Attach strike to jamb using two #12 combination attaching screws. (See **Figure 3.**)

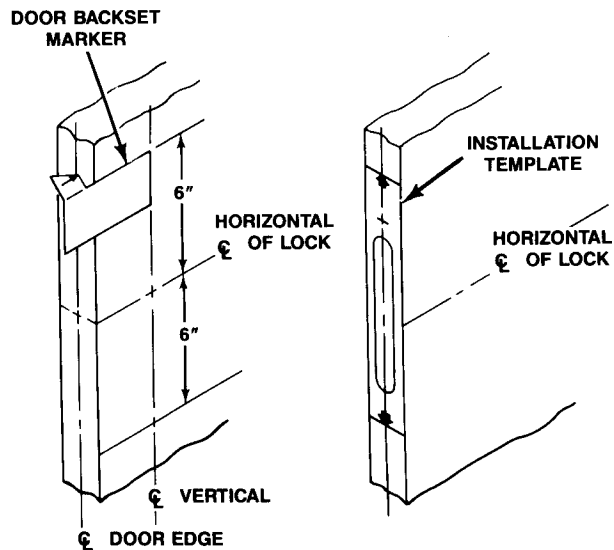


FIGURE 1

FIGURE 2

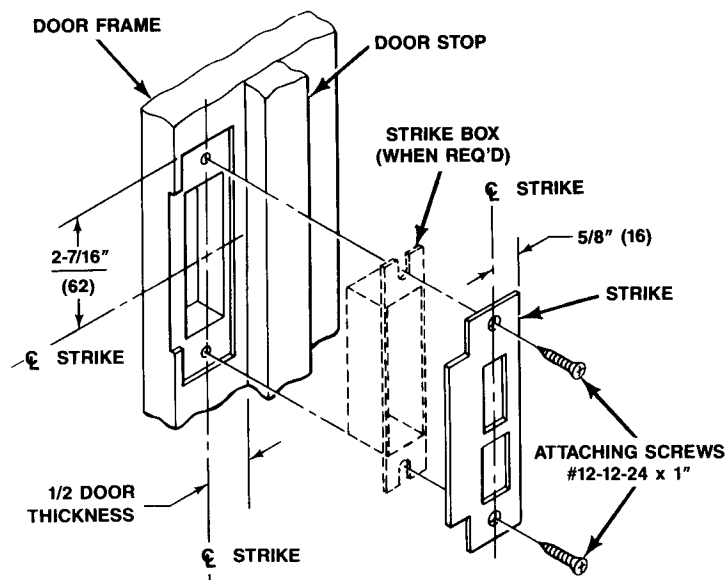


FIGURE 3

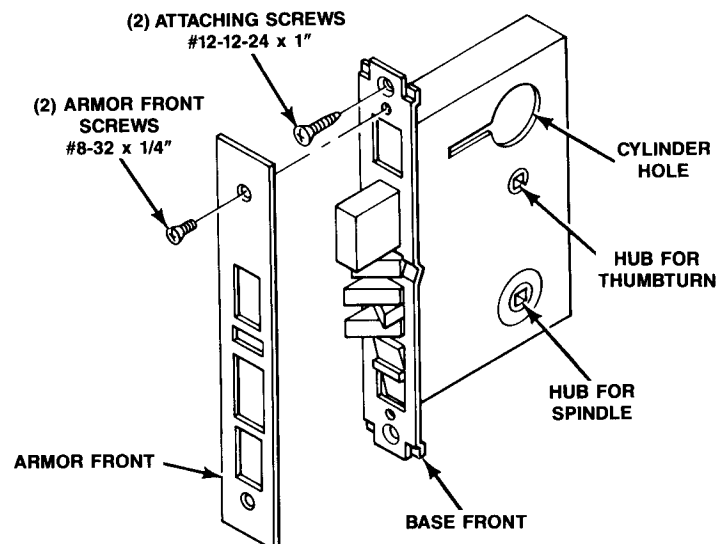


FIGURE 4

Installation Template (Lock)

☒ Door Edge

☒ Door Edge

1-1/16
(27)

1-1/4
(32)

Edge of Door

Edge of Door

1-1/16 Dia. x 4-1/4 Deep
(27) (108)

3/8 Ref.
(10)

☒ Strike

☒ Lock

Notches Required
for 8700 Series and
Yaletronics® Series
5/8 Deep
(16)

Dimensions given in $\frac{\text{inches}}{\text{(mm)}}$.

Drill $\frac{5}{32}$ Dia. Holes
(4)
for Attaching Screws

3935
4600
8300
Series

1100
3135
3930
8600
8700
Series

Yale

Yale Security Inc.

P. O. Box 25288, Charlotte, NC 28229-8010