

Installation Template (Trim)

80-8086-0001-010 (1-85)

Yale® Mortise Locks 4600, 8600, & 8700 Series

Door Preparation:

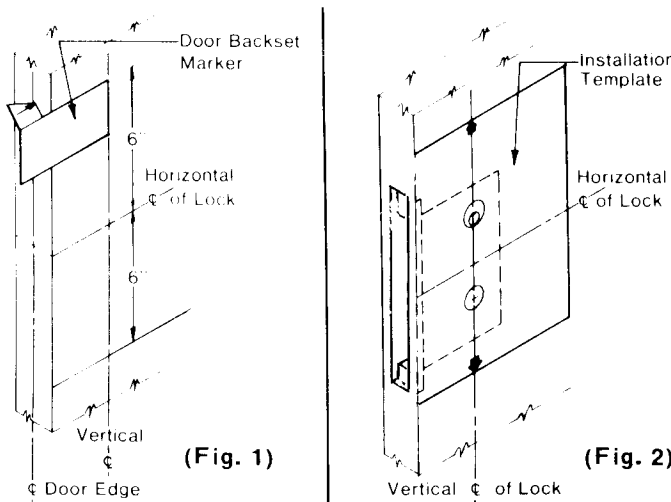
1. Mark Door and Position Template.

- a. Draw a horizontal centerline for the lock on both sides of door at desired height above finished floor line. Standard height for horizontal centerline is 39-15/16" above finished floor. (See Fig. 1).
- b. Using the door backset marker, draw a vertical centerline on both sides of the door. (See Fig. 1).
- c. Compare number of lock being installed with chart below. Determine holes to be marked.
- d. Position installation template on outside of door so that horizontal centerline lines up with horizontal line on door and vertical points line up with vertical centerline on door. Mark holes to be drilled using scribe, center punch or nail.
(To avoid shifting of the template, it may be taped to the door during this step.) (See Fig. 2).

e. Repeat step 1d. for inside of door.

2. Drill Door.

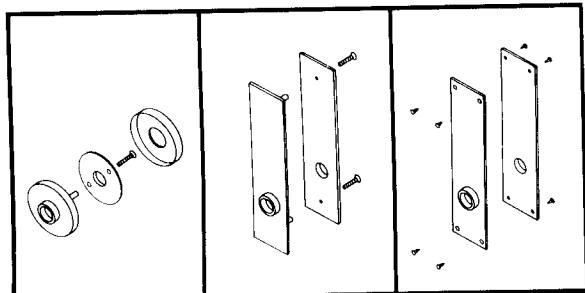
- a. At lock trim marks (steps 1d and 1e) bore lock trim holes. To avoid splintering wood, bore thru holes from both sides of door.



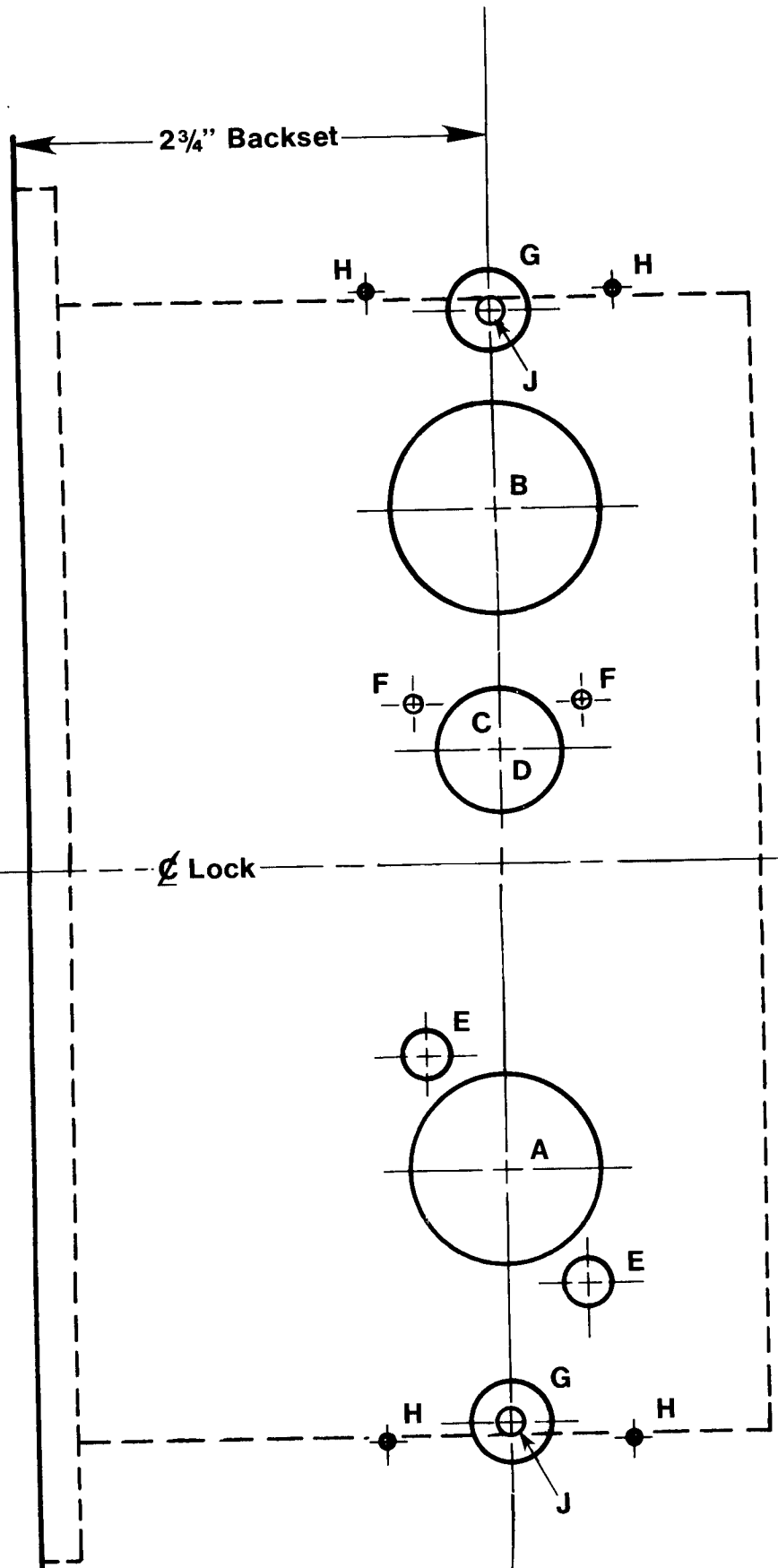
Hole Chart			
Hole	Size		Used for
	H.M. Door	Wood Door	
A	1-1/8 (29) Dia.	1-1/8 (29) Dia.	Knob
B	1-1/4 (32) Dia.	1-1/4 (32) Dia.	Cylinder
C	3/4 (19) Dia.	3/4 (19) Dia.	Thumbturn or Emergency Key
D	3/4 (19) Dia.	3/4 (19) Dia.	Hotel Indicator
E	5/16 (8) Dia.	5/16 (8) Dia.	Rose Thru-Bolts
F	.116 (2.9) Dia. #32 Drill	1/16 (1.6) Dia.	Thumbturn Plate Attaching Screws
G	1/2 (13) Dia.	1/2 (13) Dia.	Escutcheon Plate Thru-Bolts
H	.116 (2.9) Dia. #32 Drill	1/16 (1.6) Dia.	Surface Escutcheon Plate Attaching Screws
J	.152 (3.9) Dia. #24 Drill	11/64x1 (4.4x25) Dp. C'bore 1/2x1/8 (13x3) Dp.	1/2 Pair Thru-Bolt Escutcheon Attaching Screws

Lock Function		
4600	8600	
4601	8601	
4680	8680	
4681	8681	
4684	8684	
4685	8685	
4602	8602	
4605	8605	
4607	8607	
4608	8608	
4690	8690	
4691	8691	
4660-2	8660-2	
4694-2	8694-2	
4695-2	8695-2	
4620	8620	
4622	8622	
4632	8632	
4660	8647	
4667	8660	
	8667	
	8633	
	8634	
	8634-2	
	8633-2	

*CO & WG Escutcheons
†Lock can be mounted



	Holes in Door		Holes in Door		Holes in Door	
	Sectional Trim	Thru-Bolted Escut.	Sectional Trim	Thru-Bolted Escut.	Surface Escut.	Surface Escut.
	Outside	Inside	Outside	Inside	Outside	Inside
700						
701	A, E	A, E	A, G	A, G	A, H	A, H
780						
781	A, E	A, E	A, G	A, G	A, H	A, H
784						
785	A, C, E, F	A, C, E, F	A, C, G	A, C, G	A, C, H	A, C, H
702	A, C, E, F	A, C, E, F	A, C, G	A, C, G	A, C, H	A, C, H
705	A, B, E	A, E	A, B, G	A, G	A, B, H	A, H
707						
708	A, B, E	A, E	A, B, G	A, G	A, B, H	A, H
790	A, B, E	A, E	A, B, G	A, G	A, B, H	A, H
791	A, B, E	A, E	A, B, G	A, G	A, B, H	A, H
717-2						
730-2	A, B, E	A, B, E	A, B, G	A, B, G	A, B, H	A, B, H
760-2						
794-2						
795-2						
3720	A, B, D, E	A, C, E, F	A, B, D, G	A, C, G	A, B, D, H	A, C, H
3727						
3722						
3732	A, B, E	A, C, E, F	A, B, G	A, C, G	A, B, H	A, C, H
3747						
3760						
3767						
3728	NONE	A, E	NONE	A, J*	NONE	A, H
	B ONLY	A, E	B ONLY	A, J*	B ONLY	A, H
	B ONLY	A, B, E	B ONLY	A, B, J*	B ONLY	A, B, H
13ST	B ONLY	C, F	—	—	—	—
8715						
13ST-2	B ONLY	B, C, F	—	—	—	—
3714	B ONLY	NONE	—	—	—	—
714-2	B ONLY	B ONLY	—	—	—	—

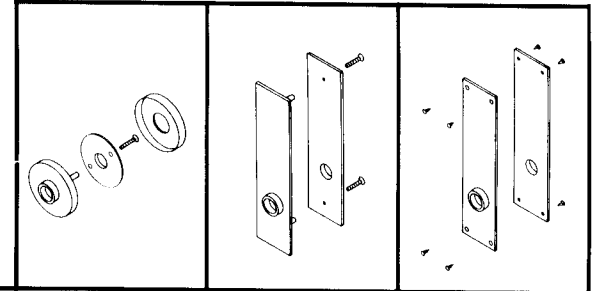


OUTSIDE - R.H. and R.H.R. Door

Door

... M.M. Doors. ... application.

Hole Chart			
Hole	Size		Used for
	H.M. Door	Wood Door	
A	1-1/8 (29) Dia.	1-1/8 (29) Dia.	Knob
B	1-1/4 (32) Dia.	1-1/4 (32) Dia.	Cylinder
C	3/4 (19) Dia.	3/4 (19) Dia.	Thumbturn or Emergency Key
D	3/4 (19) Dia.	3/4 (19) Dia.	Hotel Indicator
E	5/16 (8) Dia.	5/16 (8) Dia.	Rose Thru-Bolts
F	.116 (2.9) #32 Drill	1/16 (1.6) Dia.	Thumbturn Plate Attaching Screws
G	1/2 (13) Dia.	1/2 (13) Dia.	Escutcheon Plate Thru-Bolts
H	.116 (2.9) #32 Drill	1/16 (1.6) Dia.	Surface Escutcheon Plate Attaching Screws
J	.152 (3.9) #24 Drill	11/64x1 (4.4x25) C'bore 1/2x1/8 (13x3) Dp.	1/2 Pair Thru-Bolt Escutcheon Attaching Screws



Lock Function			Holes in Door		Holes in Door		Holes in Door	
			Sectional Trim		Thru-Bolted Escut.		Surface Escut.	
4600	8600	8700	Outside	Inside	Outside	Inside	Outside	Inside
4601	8601	8701	A, E	A, E	A, G	A, G	A, H	A, H
4680	8680	8780						
4681	8681	8781						
4684	8684	8784						
4685	8685	8785						
4602	8602	8702	A, C, E, F	A, C, E, F	A, C, G	A, C, G	A, C, H	A, C, H
4605	8605	8705	A, B, E	A, E	A, B, G	A, G	A, B, H	A, H
4607	8607	8707						
4608	8608	8708						
4690	8690	8790	A, B†, E	A, B†, E	A, B†, G	A, B†, G	A, B†, H	A, B†, H
4691	8691	8791						
4660-2	8660-2	8717-2	A, B, E	A, B, E	A, B, G	A, B, G	A, B, H	A, B, H
4694-2	8694-2	8730-2						
4695-2	8695-2	8760-2						
		8794-2						
4620	8620	8720	A, B, D, E	A, C, E, F	A, B, D, G	A, C, G	A, B, D, H	A, C, H
		8727						
4622	8622	8722	A, B, E	A, C, E, F	A, B, G	A, C, G	A, B, H	A, C, H
4632	8632	8732						
	8647	8747						
4660	8660	8760						
4667	8667	8767						
		8728	NONE	A, E	NONE	A, J*	NONE	A, H
	8633		B ONLY	A, E	B ONLY	A, J*	B ONLY	A, H
	8634		B ONLY	A, B, E	B ONLY	A, B, J*	B ONLY	A, B, H
	8634-2							
		8713ST	B ONLY	C, F	—	—	—	—
		8715						
		8713ST-2	B ONLY	B, C, F	—	—	—	—
		8714	B ONLY	NONE	—	—	—	—
	8633-2	8714-2	B ONLY	B ONLY	—	—	—	—

*CO & WG Escutcheon Plates cannot be used as half trim on H.M. Doors.
†Lock can be mounted with cylinder outside or inside. Check for proper application.

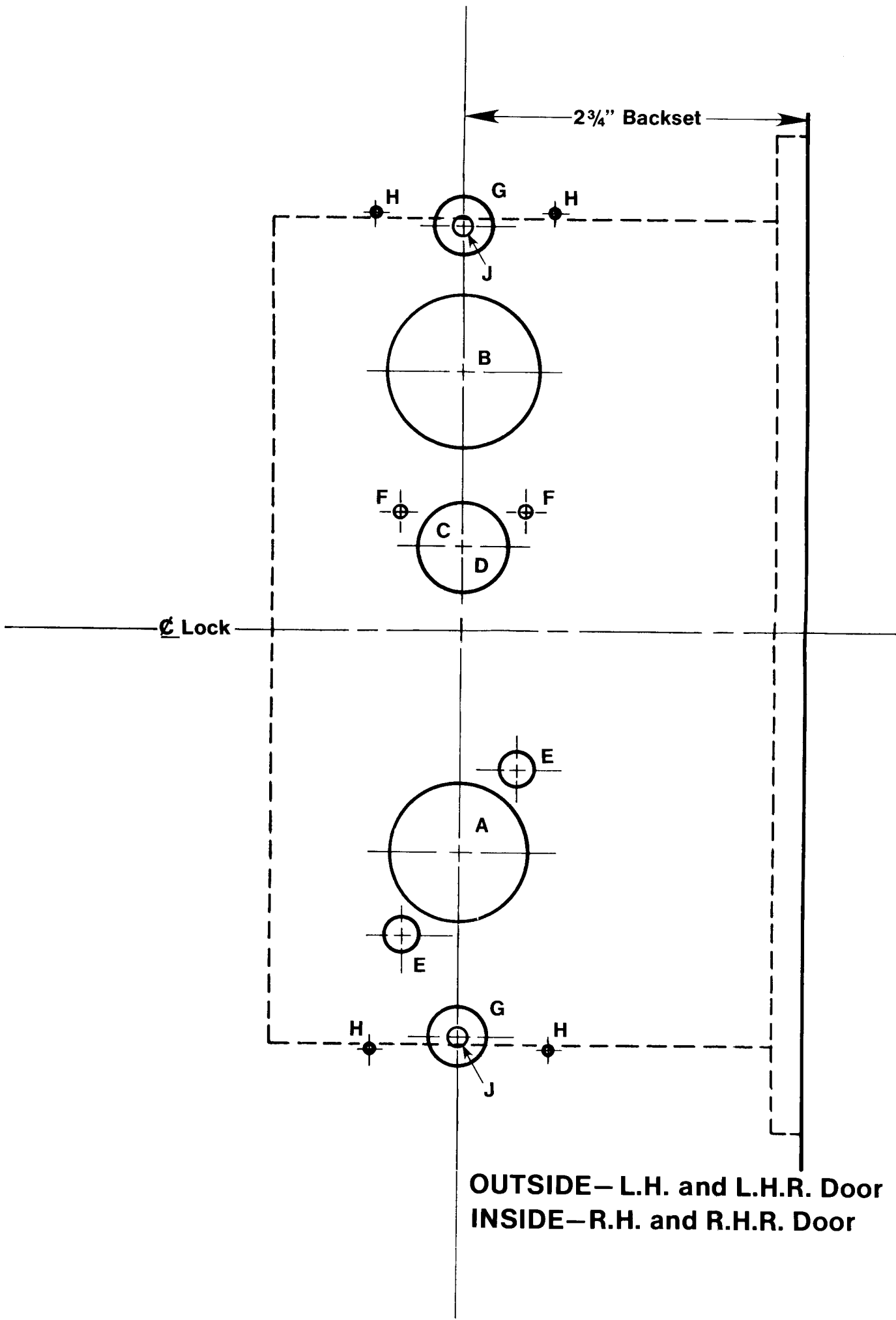
Yale

Yale Security Inc.

P. O. Box 25288, Charlotte, N.C. 28229-8010

80-8086-0001-010 (1-85)

Printed in U.S.A.



OUTSIDE— L.H. and L.H.R. Door
INSIDE— R.H. and R.H.R. Door