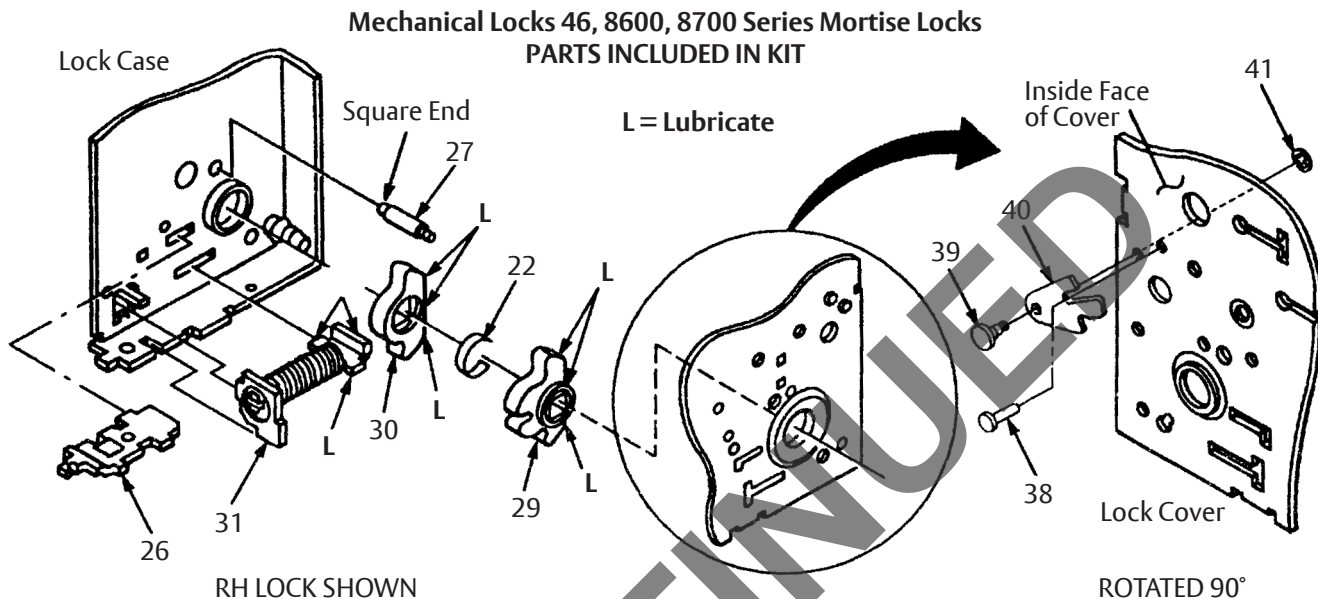


# 87FL Conversion Kit

# ASSA ABLOY

## For Mechanical Locks and Electrified Locks To Change from Knob Trim to Lever Trim

### Installation Instructions



1. Remove three screws from cover. Remove cover by lifting up and moving away from lock front. (Note position of all internal components.)
2. Remove existing hubs and replace with new hubs 29 and 30, and 22 hub aligning ring. Be sure to place the locking hub 29 on the cylinder or locked side of the case. (Remove all foreign material and old lubricant from case. Use the lubricant packed with the kit to lubricate all areas noted with "L".)
3. Insert the spring cage assembly 31. Align spring cartridge against hubs first, then compress spring and insert front into slots in case as shown.
4. Insert lever stop pin 27 in hole shown. Square end goes into hole in the case, tapered end acts as guide when installing cover.
5. Assemble fire stop lever 40 to cover with pivot (stainless steel) 39 and its retaining ring 41. Install fuse pin (lead) 38 and peen over as shown in illustration on page 3.
6. Install new stop plunger 26 (note how old stop plunger is oriented in lock). New stop plunger is heat treated to withstand the added force that can be applied with the lever handle.
7. Replace cover. All parts must be in alignment with the positioning slots or openings in the cover. **Do not force.** Once the cover is firmly seated, insert and tighten three attaching screws.
8. Check lock to see that it operates properly.
9. Lock is now ready for installation in the door with new lever/spindle assembly.

#### Parts List

Item No.	Part No.	Description
22	50-4601-1005	Hub Aligning Ring
26	50-4602-1012	Stop Plunger
27	50-8700-1052	Lever Stop Pin
29	50-4602-1004	Lever Locking Hub
30	50-4601-1004	Lever Hub
31	50-4601-0223	Spring Cage Assembly
38	50-4601-6029	Fuse Pin (Lead)
39	50-4601-7153	Pivot (Stainless Steel)
40	50-4601-7028	Fire Stop Lever
41	99-9999-4638	Retaining Ring
42	99-9901-0100	Lubricant

**IMPORTANT:**  
ALL STEPS MUST BE FOLLOWED EXPLICITLY TO MAINTAIN UL LISTING OF THE LOCK ASSEMBLY.

#### ⚠ WARNING

This product can expose you to lead which is known to the state of California to cause cancer and birth defects or other reproductive harm. For more information go to [www.P65warnings.ca.gov](http://www.P65warnings.ca.gov).

#### ⚠ WARNING

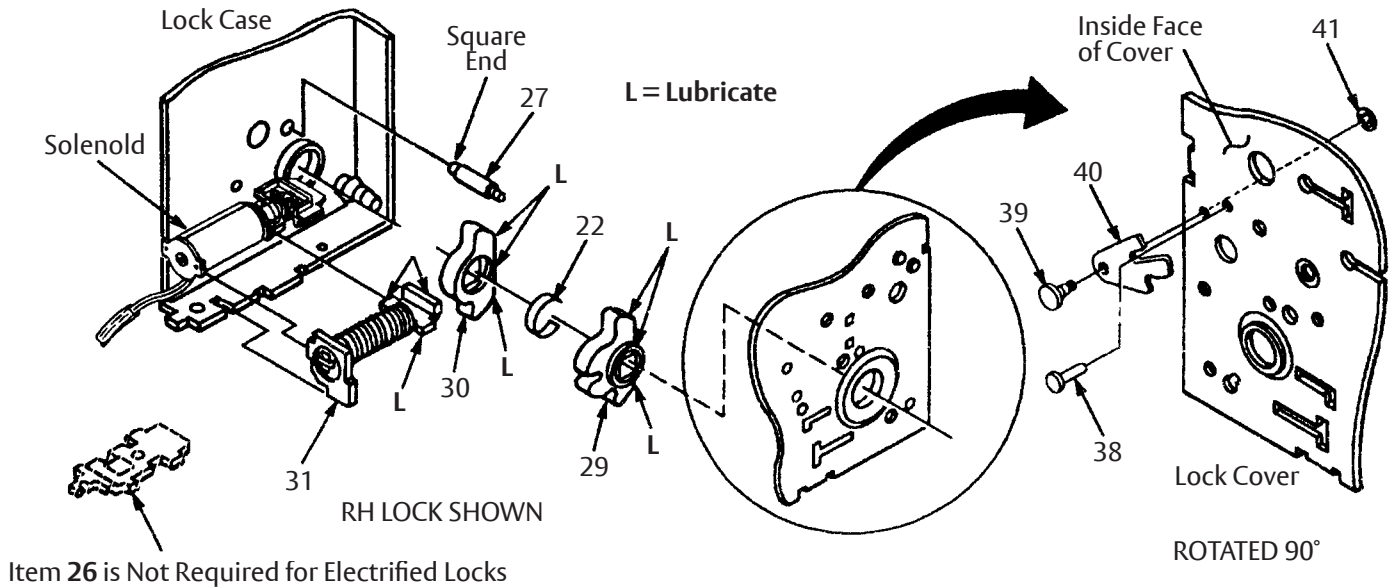
Attention Installer: Any retrofit or other field modification to a fire rated opening can potentially impact the fire rating of the opening, and ASSA ABLOY makes no representations or warranties concerning what such impact may be in any specific situation. When retrofitting any portion of an existing fire-rated opening, or specifying and installing a new fire-rated opening, please consult with a code specialist or local code official (Authority Having Jurisdiction) to ensure compliance with all applicable codes and ratings.

80-9086-0015-010 01/24

1-800-438-1951 • [www.assaabloy.com](http://www.assaabloy.com)

Experience a safer  
and more open world

**Electrified Locks**  
4680/90, 8680/90, 8780/90 Series Electric Mortise Locks  
2600, 2700, 3100, 3900, 4100 Series Electronic Mortise Locks  
**PARTS INCLUDED IN KIT**



1. Remove three screws from cover. Remove cover by lifting up and moving away from lock front. (Note position of all internal components. Pay particular attention to solenoid and stop plunger.)
2. Remove existing hubs and replace with new hubs 29 and 30, and 22 hub aligning ring. Be sure to place the locking hub 29 on the cylinder or locked side of the case. (Remove all foreign material and old lubricant from case. Use the lubricant packed with the kit to lubricate all areas noted with "L". Do not get lubricant on solenoid plunger.)
3. Insert the spring cage assembly 31. Align spring cartridge against hubs first, then compress spring and insert front into slots in case as shown.
4. Insert lever stop pin 27 in hole shown. Square end goes into hole in the case, tapered end acts as guide when installing cover.
5. Assemble fire stop lever 40 to cover with pivot (stainless steel) 39 and its retaining ring 41. Install fuse pin (lead) 38 and peen over as shown in illustration on page 3.
6. Replace cover. All parts must be in alignment with the positioning slots or openings in the cover. Do not force. Once the cover is firmly seated, insert and tighten three attaching screws.
7. Check lock to see that it operates properly. (Be careful solenoid wires are not pinched or damaged by spring cage assembly 31.)
8. Lock is now ready for installation in the door with new lever/spindle assembly.

**IMPORTANT:**  
ALL STEPS MUST BE FOLLOWED EXPLICITLY TO MAINTAIN UL LISTING OF THE LOCK ASSEMBLY.

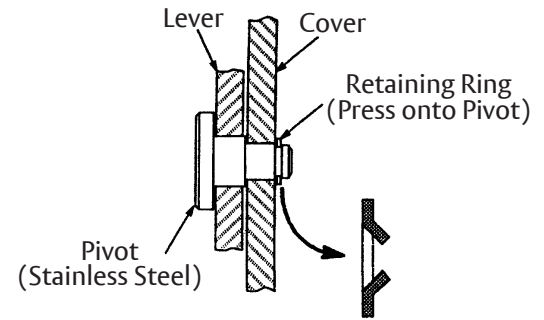
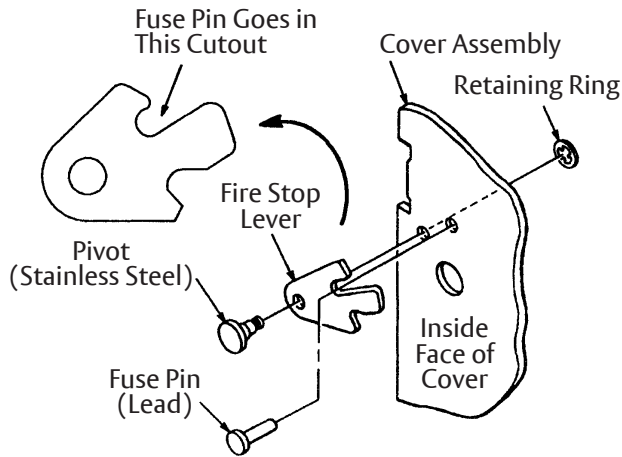
Item No.	Part No.	Description
22	50-4601-1005	Hub Aligning Ring
27	50-8700-1052	Lever Stop Pin
29	50-4602-1004	Lever Locking Hub
30	50-4601-1004	Lever Hub
31	50-4601-0223	Spring Cage Assembly
38	50-4601-6029	Fuse Pin (Lead)
39	50-4601-7153	Pivot (Stainless Steel)
40	50-4601-7028	Fire Stop Lever
41	99-9999-4638	Retaining Ring
42	99-9901-0100	Lubricant

# 87FL Conversion Kit

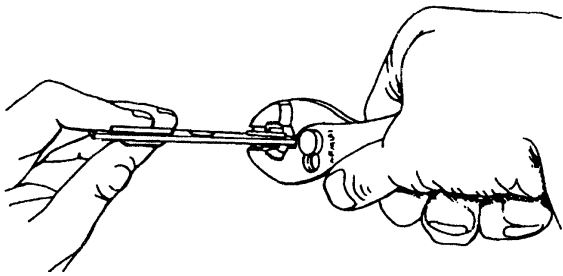
For Mechanical Locks and Electrified Locks  
To Change from Knob Trim to Lever Trim

## Installation Instructions

### Step 5



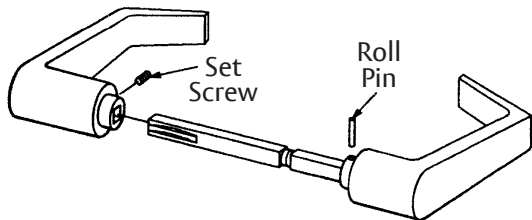
**Note:** Teeth on retaining ring are bent. Position so that ring is installed as shown.



1. Assemble fire stop lever to lock cover with pivot (stainless steel) and retaining ring.
2. Install fuse pin (lead) to hold lever in up position.
3. Peen fuse pin (lead) with pliers. (Slip joint pliers in the open setting work well and prevent excessive compression of the pin.)

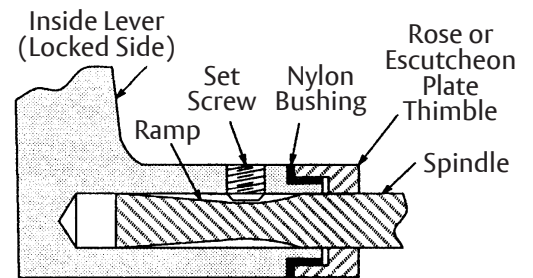
### Lever Handles with Spindle

#### Inside Lever (Unlocked Side)



For Other Lever Handle Designs  
See Mortise Catalog

#### Outside Lever (Locked Side)



When installing levers be sure that swivel spindle is adjusted to allow turning and that ramp on spindle will be facing set screw. Tighten set screw securely using 1/8" hex key wrench.

## Spindle Applications

### 1178L Swivel Spindles

4600, 8600, and 8700 Series Mechanical and Electric Locks			Electronic Locks Cardcode, Touchcode, Guestcode, Guestlock		
Door Thickness	Spindle Length	Part No.	Door Thickness	Spindle Length	Part No.
1-1/4" - 1-3/4"	4.281	50-1178-0001	1-3/4"	5.406	55-1178-0030
2" - 2-1/2"	4.781	501178-0002	1-3/4" - 2-1/4"	6.029	55-1178-0002
2-3/4" - 3-1/4"	5.531	50-1178-0003	2-1/2" - 2-3/4"	6.779	55-1178-0003
			2-3/4" - 3"	7.529	55-1178-0004

The standard spindle furnished with the 87FL Kit is part no. 50-1178-0001. If a different spindle is required, specify part no. of spindle (i.e. CR87FL x 55-1178-0002 spindle).