

8800-ITS Mortise Lockset

ASSA ABLOY

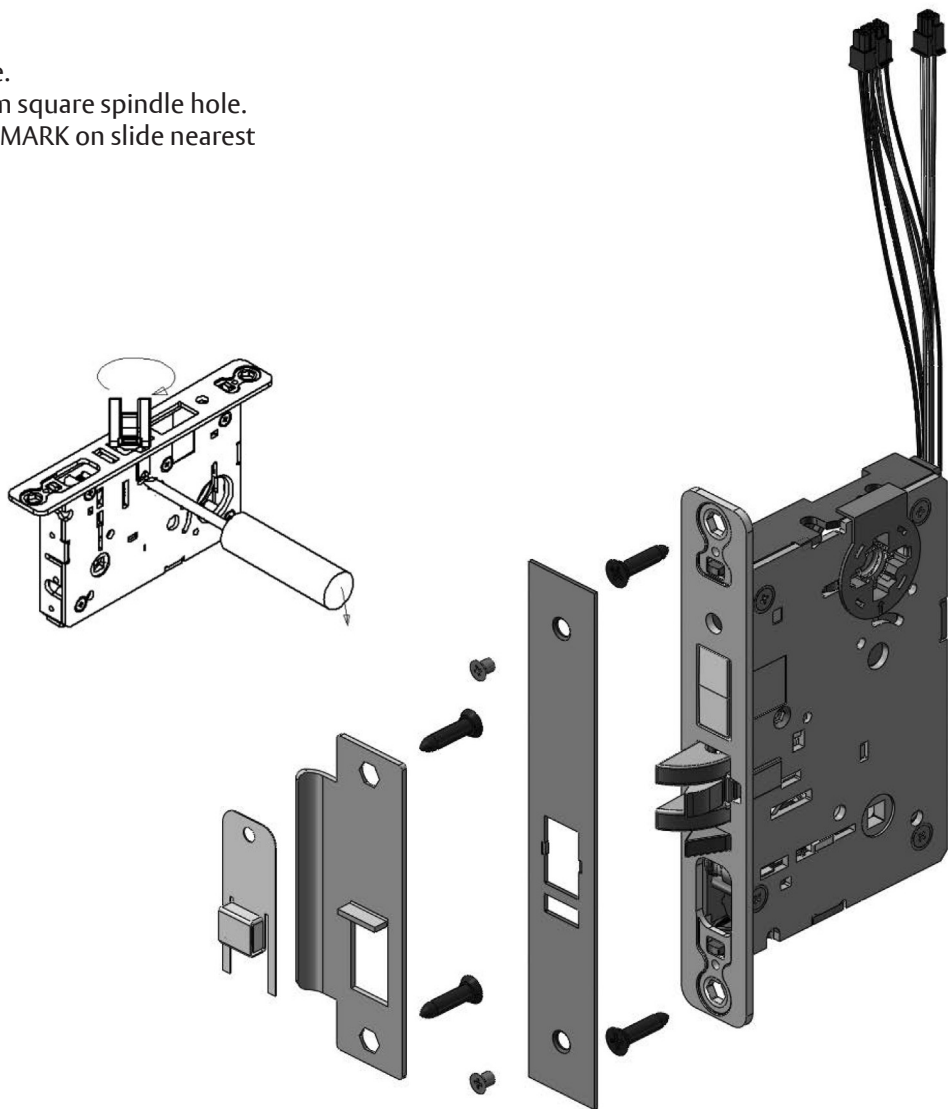
Wiring Diagram and Installation Instructions

Handing the Latchbolt

1. Insert flat blade screwdriver into cover slot.
2. Pull back on screwdriver until latchbolt extends past base front and rotate the head to the desired position.

Handing the Hubs

1. Locate RED MARK on locking piece.
2. Push toggle button slide away from square spindle hole.
3. With blade screw driver push RED MARK on slide nearest square spindle hole.
4. RED MARK indicates locked side!



WARNING

This product can expose you to lead which is known to the state of California to cause cancer and birth defects or other reproductive harm. For more information go to www.P65warnings.ca.gov.

WARNING

Attention Installer: Any retrofit or other field modification to a fire rated opening can potentially impact the fire rating of the opening, and ASSA ABLOY makes no representations or warranties concerning what such impact may be in any specific situation. When retrofitting any portion of an existing fire-rated opening, or specifying and installing a new fire-rated opening, please consult with a code specialist or local code official (Authority Having Jurisdiction) to ensure compliance with all applicable codes and ratings.

80-9086-0054-010 10/23

1-800-438-1951 • www.assaabloy.com

Copyright © 2011, 2012, 2023, ASSA ABLOY Access and Egress Hardware Group, Inc. All rights reserved. Reproduction in whole or in part without the express written permission of ASSA ABLOY Access and Egress Hardware Group, Inc. is prohibited.

Experience a safer
and more open world

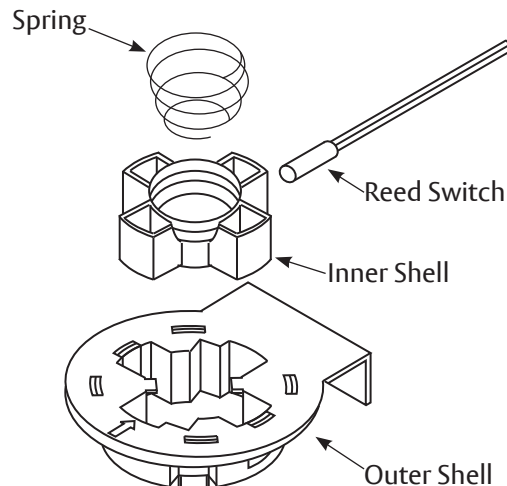
1. Remove Cylinder Monitor Assembly from Lockbody by gently pushing up through the opposite side of cylinder hole.



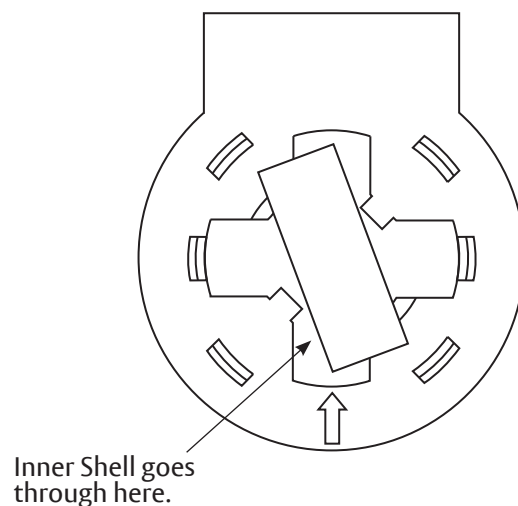
2. Remove spring from assembly. Use caution not to stretch or otherwise deform the spring.



3. Remove Inner Shell from Outer Shell by gently pressing the Inner Shell upwards from the bottom. Use caution not to damage sensor wires.



4. Turn Inner Shell on side. Align the inner shell with the diagonal slot in the Outer Shell. Slide the Inner Shell through the Outer Shell.

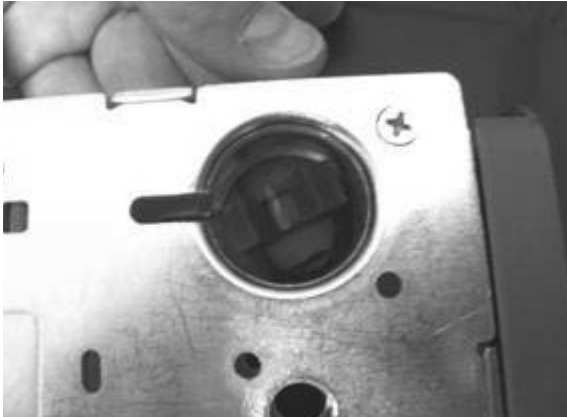


8800-ITS Mortise Lockset

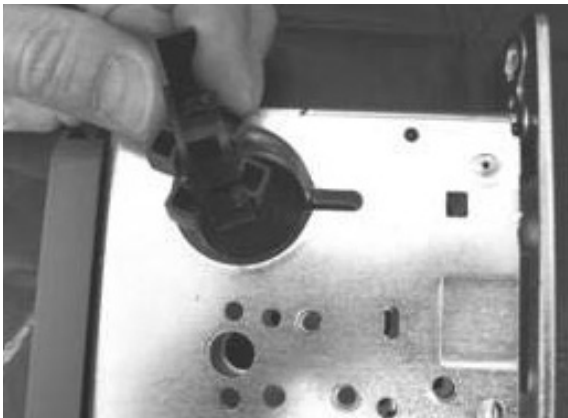
ASSA ABLOY

Wiring Diagram and Installation Instructions

5. Feed Inner Shell (with wire and sensor) back through the Cylinder hole in the lockbody to the other side.



6. Turn the Inner Shell on its side and slide it down into the Outer Shell.



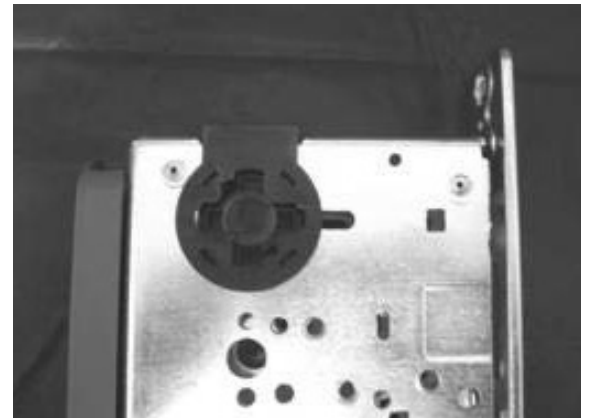
7. Assemble Inner Shell into Outer Shell. Guide the sensor wire out the top of the lock.



8. Install spring into assembly. Use caution not to stretch or otherwise deform the spring.



9. Gently press Cylinder Monitoring Assembly into cylinder hole on the new side of the lockbody.



1-800-438-1951 • www.assaabloy.com

Copyright © 2011, 2012, 2023, ASSA ABLOY Access and Egress Hardware Group, Inc. All rights reserved. Reproduction in whole or in part without the express written permission of ASSA ABLOY Access and Egress Hardware Group, Inc. is prohibited.

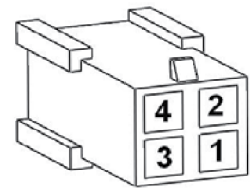
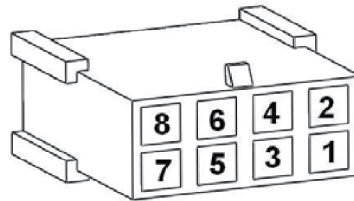
Experience a safer
and more open world

ELECTRIFIED OPTIONS

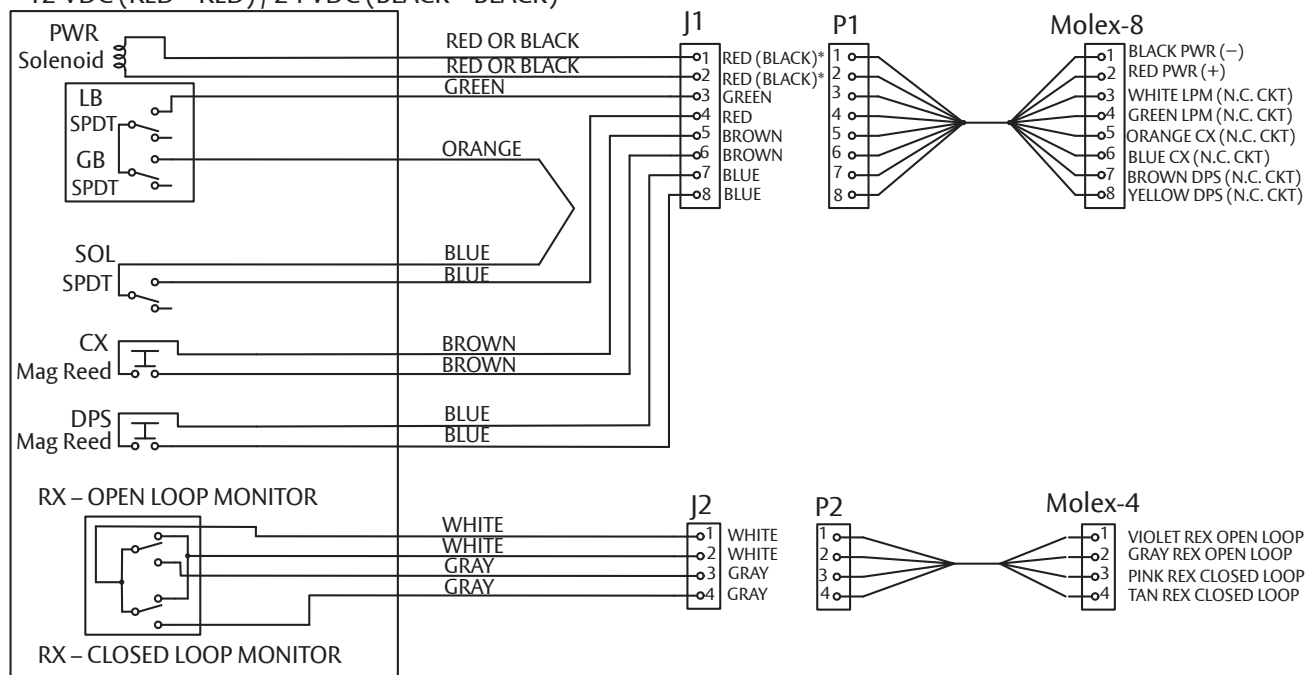
Molex®	8890 Options		8891-ITS		
	Function	Color	Function	Color	
8-pin	1,2	Power	Black/Red	Power	Black/Red
	3,4	LPM	Green/Gray	LPM	Green/Gray
		----- OR -----			
	5,6	DB-In	Yellow/Yellow	CX	Brown/Brown
7,8	DPS* (Less DB)	Blue/Blue	DPS*	Brown/Blue	
4-pin	1,2	Open Loop REX	White/White	Open Loop REX	White/White
	3,4	Closed Loop REX	Gray/Gray	Closed Loop REX	Gray/Gray

* Deadbolt not available with DPS function.

REFERENCES	
REX	Request to Exit
LBM	Latch Bolt Monitor
LPM	Latch Performance Monitor
DBM	Deadbolt Monitor
DB	Deadbolt
DB-In	Deadbolt Retracted
DB-Out	Deadbolt Extended
DPS	Door Position Sensor
CX	Cylinder Monitor



ASSA ABLOY Mortise 8890 / 8891 * 12 VDC (RED - RED) / 24 VDC (BLACK - BLACK)



80-9086-0054-010 10/23

1-800-438-1951 • www.assaabloy.com

Copyright © 2011, 2012, 2023, ASSA ABLOY Access and Egress Hardware Group, Inc. All rights reserved. Reproduction in whole or in part without the express written permission of ASSA ABLOY Access and Egress Hardware Group, Inc. is prohibited.

Experience a safer
and more open world