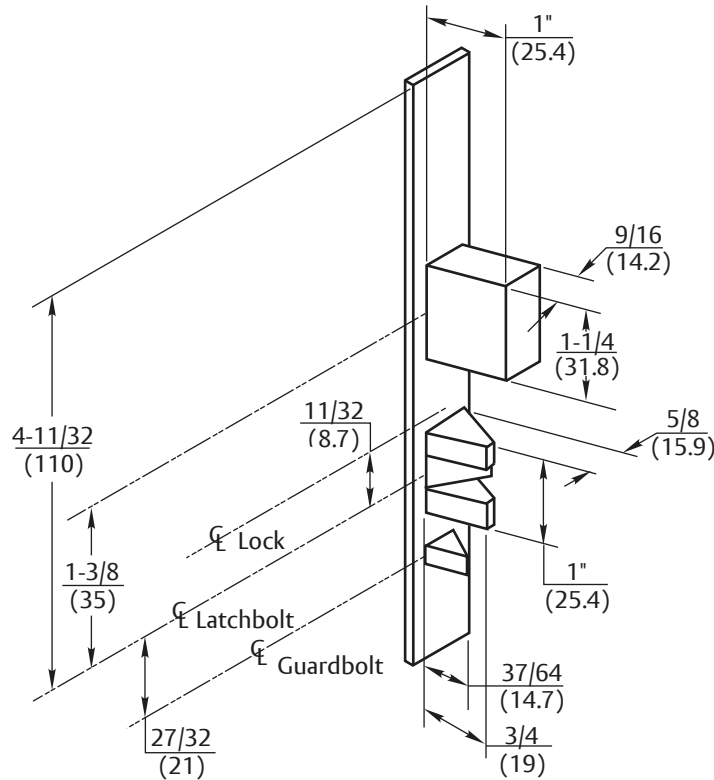


DO NOT SCALE

Notes:

1. The illustration indicates the location of the latchbolt, deadbolt and guardbolt (when used) for all 8800 functions.
2. When electric door openers are specified, it is the responsibility of the hardware consultant to coordinate template information of both the lock and electric door opener with the door and frame manufacturers.
3. All dimensions given in inches (mm) unless otherwise noted.
4. Latchbolt, guardbolt and deadbolt are in the same location for all 8800 lockbodies.



Experience a safer
and more open world

Copyright © 2008, 2023, ASSA ABLOY Access and Egress Hardware Group, Inc. All rights reserved. Reproduction in whole or in part without the express written permission of ASSA ABLOY Access and Egress Hardware Group, Inc. is prohibited.

8800 Mortise Locks
Bolt Position Dimensions
Mechanical / Electrical / Exit Device

Template Number:
7088-0000
Sheet: 1 of 1
Date: 11/23

ASSA ABLOY

1-855-557-5078
www.assaabloy.com