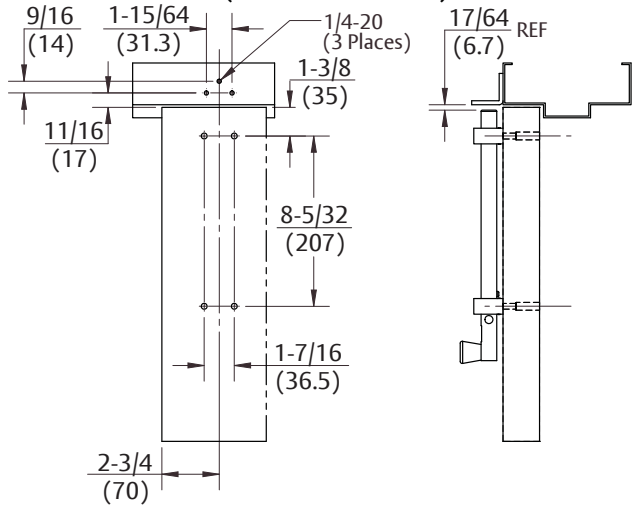
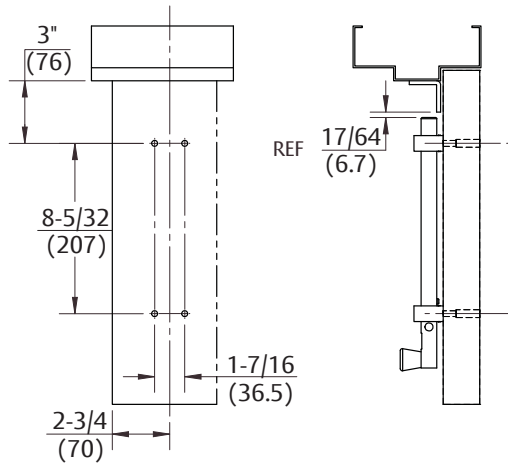


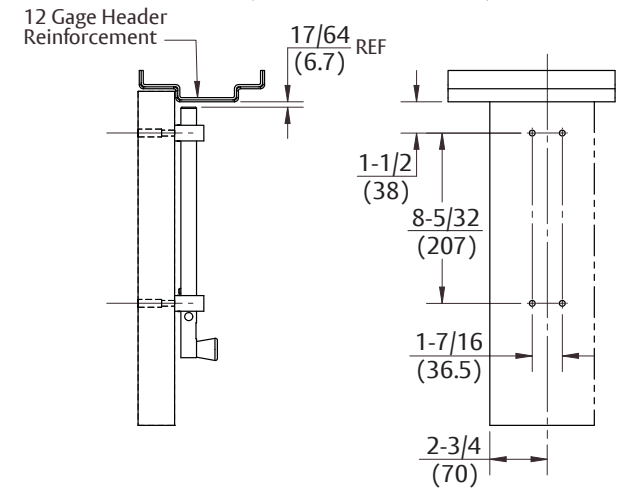
FRAME FACE INSTALLATION (IN-SWING DOOR)



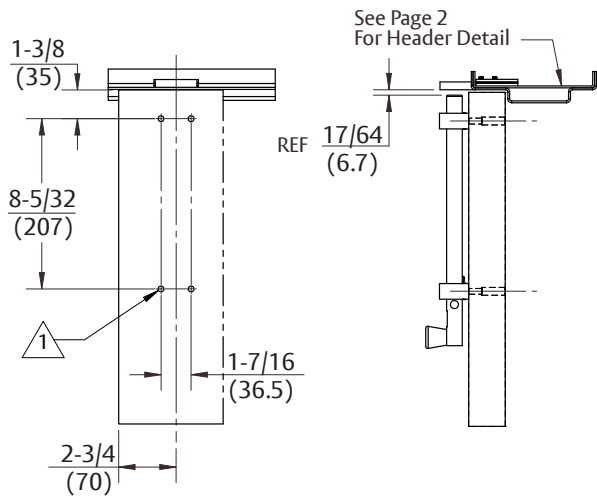
FRAME STOP INSTALLATION (OUT-SWING DOOR)



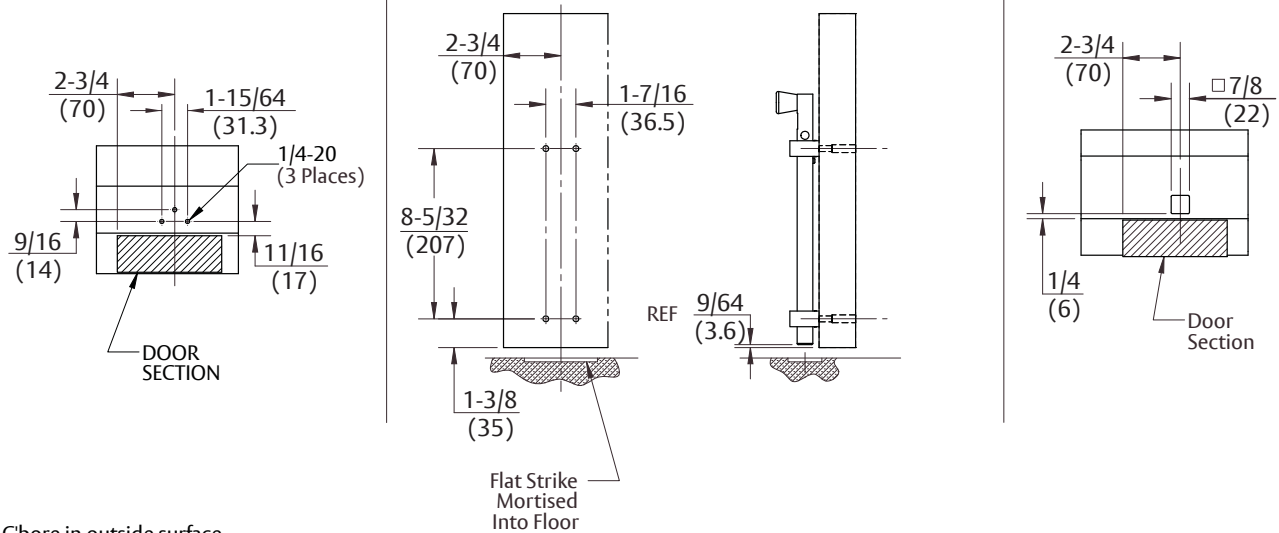
FEMA FRAME STOP INSTALLATION (OUT-SWING DOOR)



FEMA INSTALLATION (IN-SWING DOOR)



DOOR BOTTOM INSTALLATION (IN-SWING OR OUT-SWING DOOR)



NOTES:

1. Holes in door are $\phi 9/32$ " (7mm) Thru, $\phi 3/8$ " x 1-1/8" (9.5mm x 29mm) C'bore in outside surface.
2. Tolerance on all dimensions is $\pm 1/64$ " (.4mm).
3. Dimensions given in inches (mm).

Experience a safer
and more open world

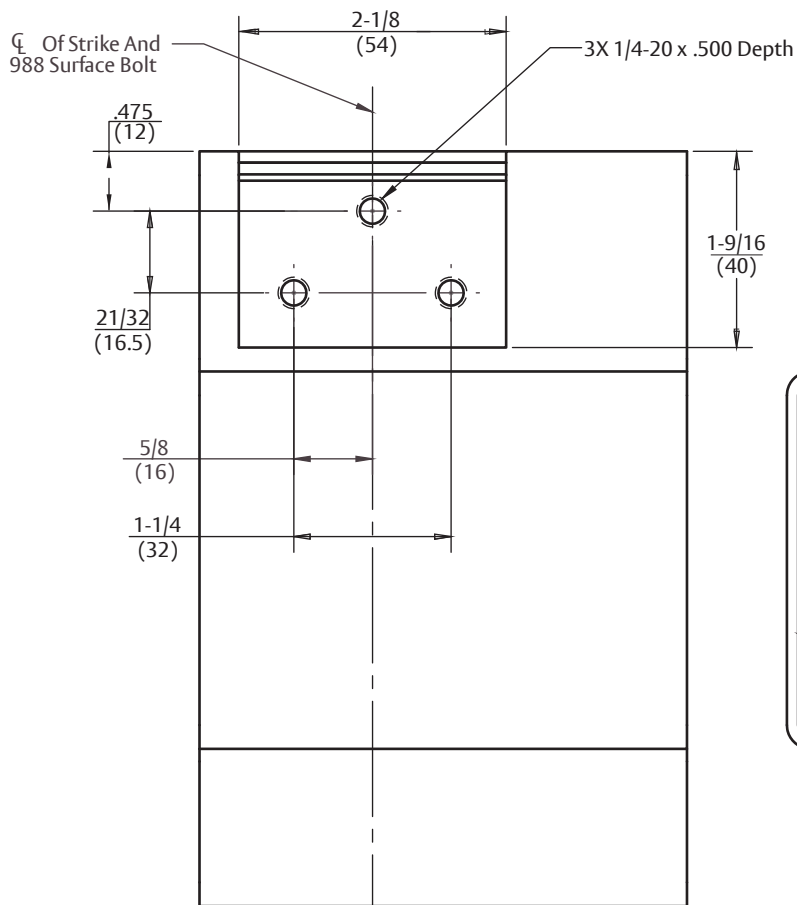
Copyright © 2011, 2024, ASSA ABLOY Access and Egress Hardware Group, Inc. All rights reserved. Reproduction in whole or in part without the express written permission of ASSA ABLOY Access and Egress Hardware Group, Inc. is prohibited.

988Y Surface Bolt
Standard Installation

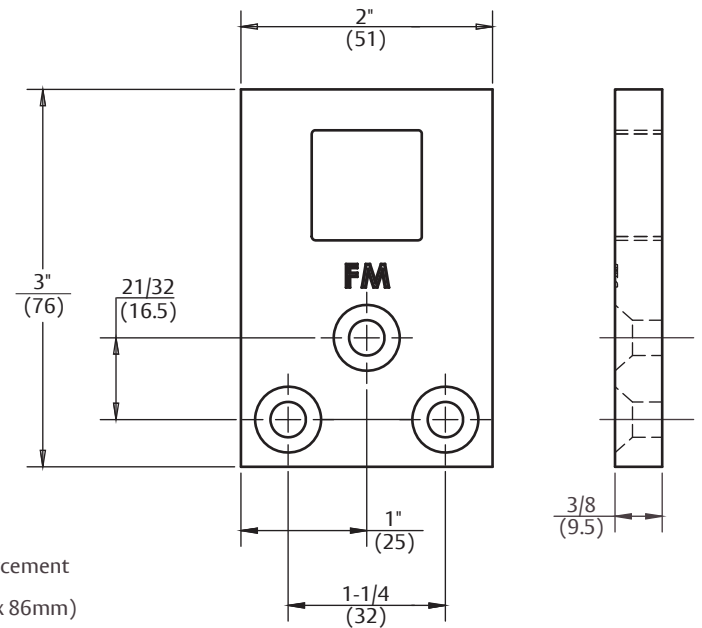
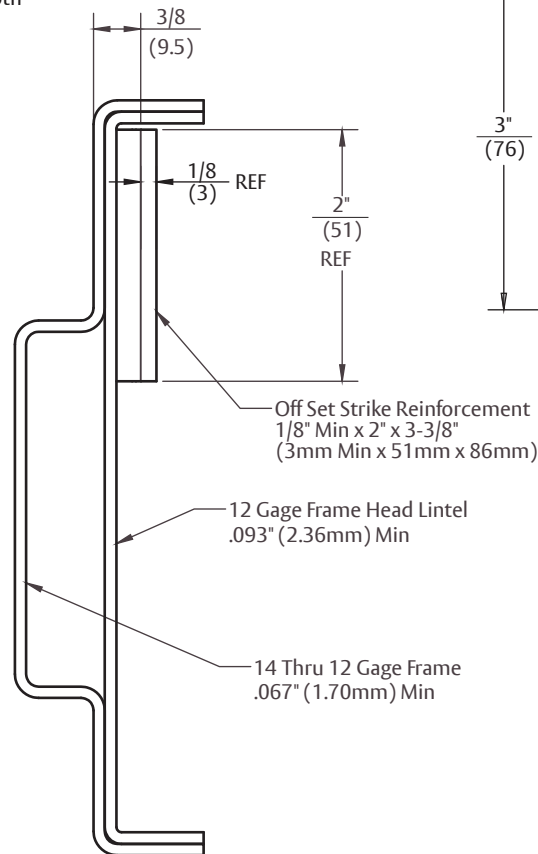
Template Number:
7601-0010
Sheet: 1 of 2
Date: 01/24

ASSA ABLOY

1-855-557-5078
www.assaabloy.com



FRAME PREPARATION



FEMA STRIKE SHOWN

NOTES:

1. Dimensions given in inches (mm).

Experience a safer
and more open world

Copyright © 2011, 2024, ASSA ABLOY Access and Egress Hardware Group, Inc. All rights reserved. Reproduction in whole or in part without the express written permission of ASSA ABLOY Access and Egress Hardware Group, Inc. is prohibited.

Alternate Top Strike for 988Y Surface Bolt
(FEMA Listed)

Template Number:
7601-0010
Sheet: 2 of 2
Date: 01/24

ASSA ABLOY

1-855-557-5078
www.assaabloy.com