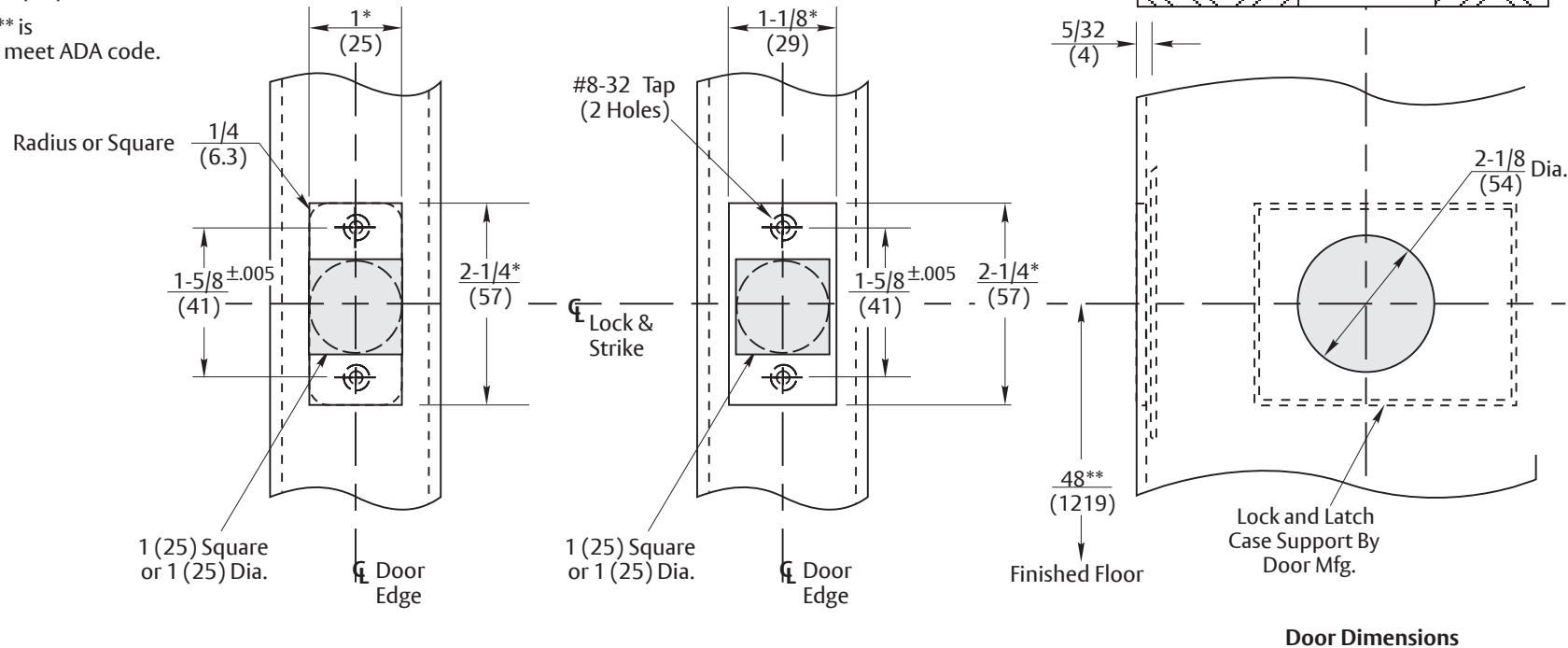


D Series Deadbolt Model Numbers

	Cylinder x Thumbturn	Cylinder x Cylinder	Cylinder x Blank Rose	Blank Plate x Thumbturn	Blank Plate x Cylinder	Cylinder x Classroom Thumbturn	Occupancy Indicator x Thumbturn	Backset
Grade 1	D111/B-D171	D121	D131	D141	D151	D161/B-D181	N/A	2-3/8" (60)
	D112/B-D172	D122	D132	D142	D152	D162/B-D182	N/A	2-3/4" (70)
Grade 2	D211	D221	D231	D241	D251	D261	D291	2-3/8" (60)
	D212	D222	D232	D242	D252	D262	D292	2-3/4" (70)

Notes:

1. All dimensions are given in inches (mm).
2. See template 7101-0035 for strikes.
3. Dimensions marked with \* have tolerances of +1/64", -0".
4. Front plate is 1" (25) wide, furnished with spacer for 1-1/8" (29) door prep.
5. Dimension marked with \*\* is recommended height to meet ADA code.



Experience a safer and more open world

Copyright © 2017, 2023, ASSA ABLOY Access and Egress Hardware Group, Inc. All rights reserved. Reproduction in whole or in part without the express written permission of ASSA ABLOY Access and Egress Hardware Group, Inc. is prohibited.

D100 & D200 Series Deadbolts  
Hollow Metal Door Preparation  
2-3/4" and 2-3/8" Backsets

Template Number:  
7101-0033  
Sheet: 1 of 1  
Date: 11/23

**ASSA ABLOY**

1-855-557-5078  
www.assaabloy.com