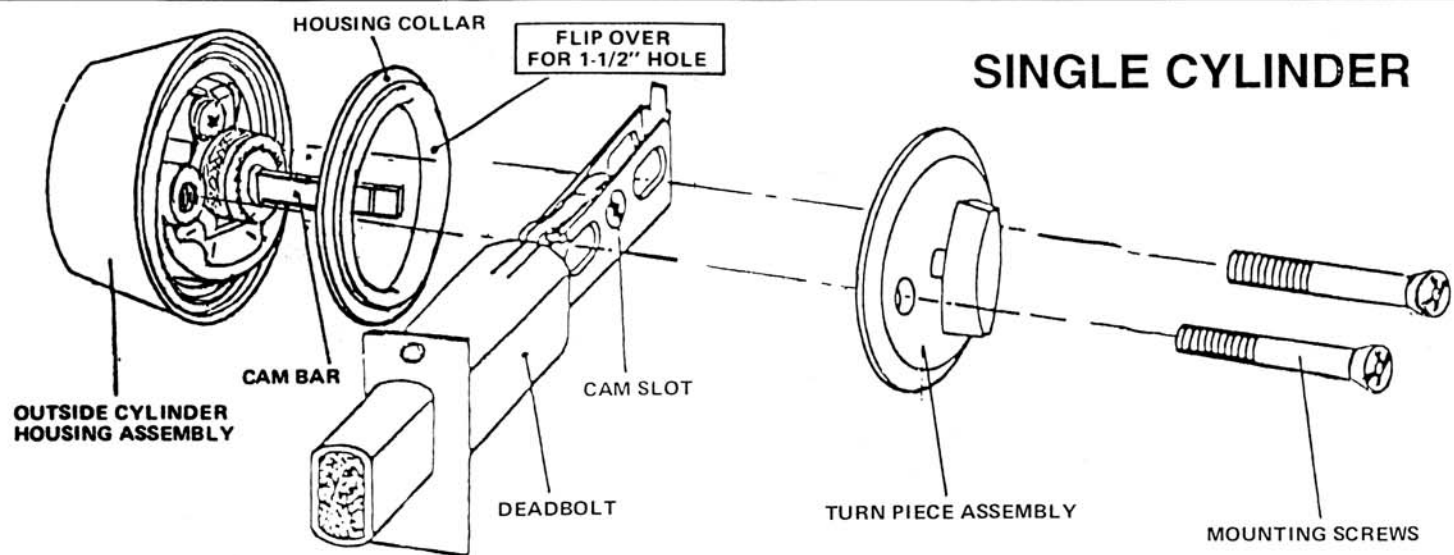
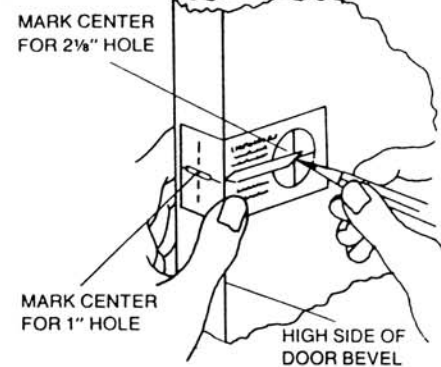


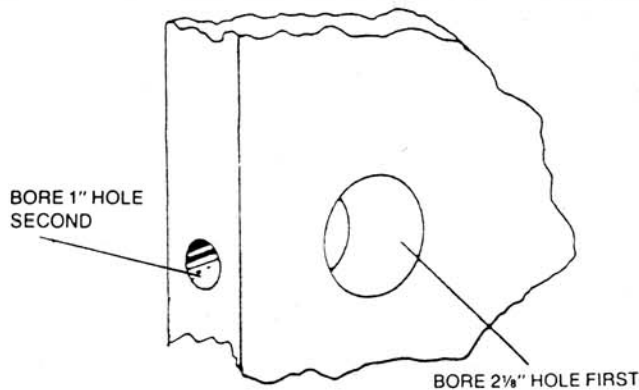
INSTALLATION INSTRUCTIONS FOR STANDARD DUTY SECURITY DEADLOCK



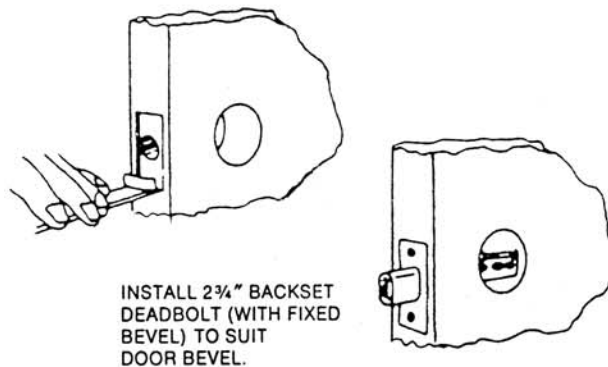
1 MARK HOLES
Using enclosed template, mark door as illustrated at desired lock height and correct backset.



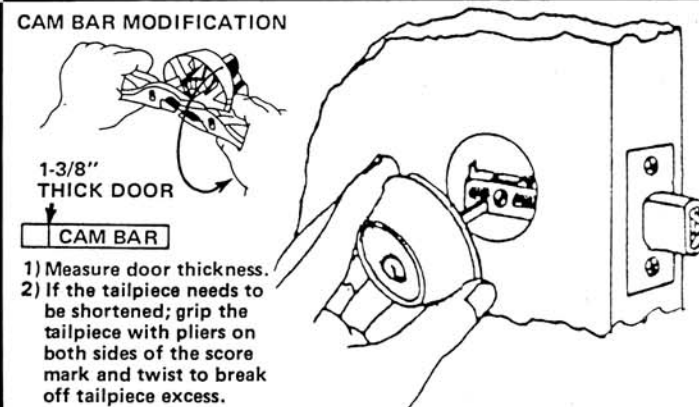
2 BORE TWO HOLES
Drill 2-1/8" hole through both sides of the door as shown and 1" dia. hole into front face of the door. Be certain holes are perpendicular.



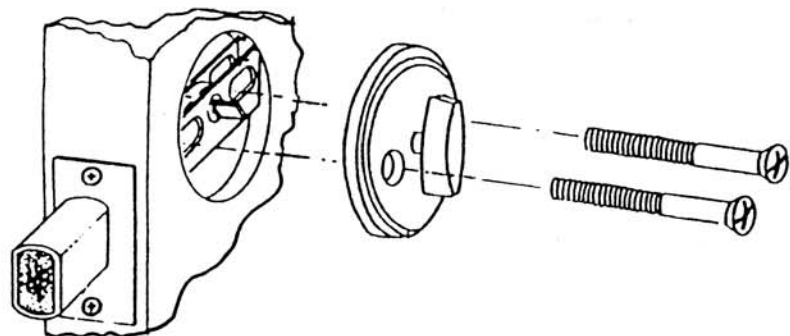
3 INSTALL DEADBOLT
Insert deadbolt in hole, keeping it parallel to face of the door and scribe line around face plate. Remove deadbolt and chisel out scribed area to depth of 5/32" or until face is flush with door edge. Insert deadbolt and fasten with two screws.



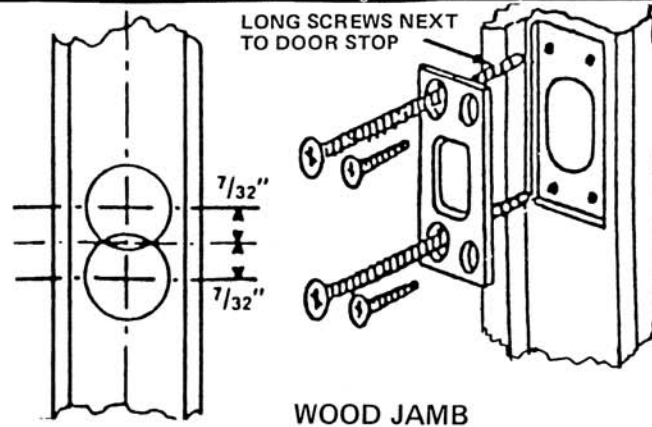
4 INSTALL OUTSIDE TRIM
Extend deadbolt. Install cylinder housing without key, keeping cylinder cam bar in line with cam slot.



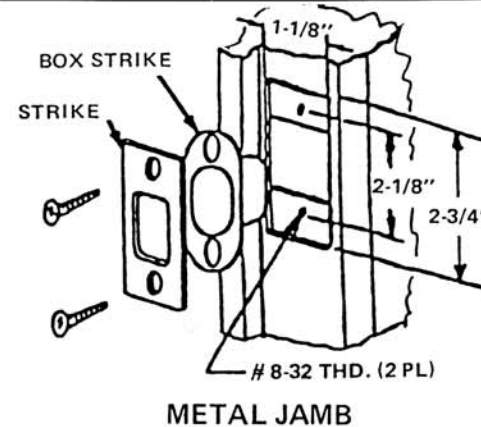
5 ATTACH INSIDE TRIM
Place turn piece assembly onto cam bar and align screw holes. Insert and tighten two 1/4-20 machine screws.



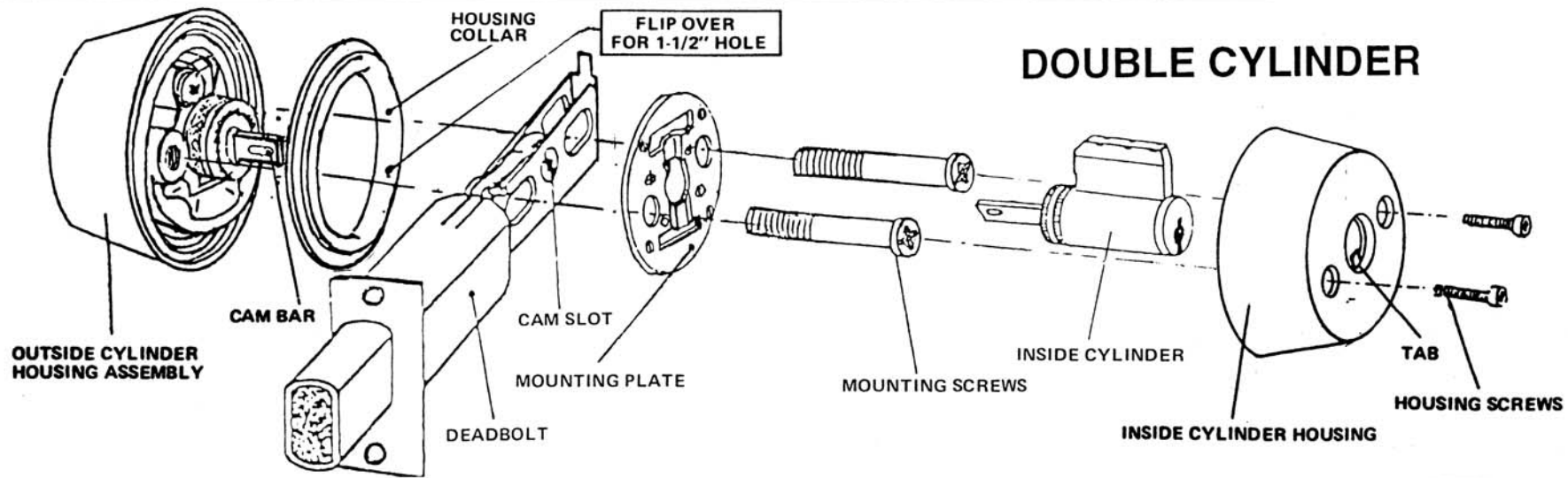
6 INSTALL STRIKE ON WOOD JAMB
Mark jamb exactly opposite centerline of latch hole. Bore two 1" dia. holes 7/32" above and below height line to a depth of 1-1/8". Mortise for strike and box strike. Install and fasten four screws as illustrated.
NOTE: Drill 1/8" dia. pilot holes for 3/4" long screws, and 5/32" dia. for 3" long screws.



INSTALL STRIKE ON METAL JAMB
Fasten strike with 3/4" long screws.



INSTALLATION INSTRUCTIONS FOR STANDARD DUTY SECURITY DEADLOCK



1 2 3 4

5 **INSTALL INSIDE TRIM**

Position mounting plate in the hole. Insert and tighten 1/4-20 screws.

Insert inside cylinder cam bar through mounting plate into cam slot, making

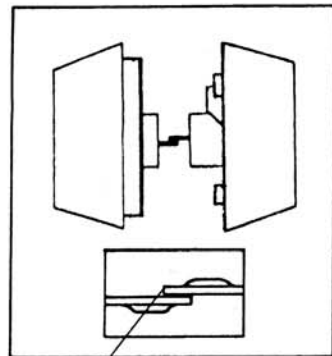
certain that cam bars meet with flat sides.

Place inside cylinder housing over cylinder and make sure that tab is engaged with key way slot.

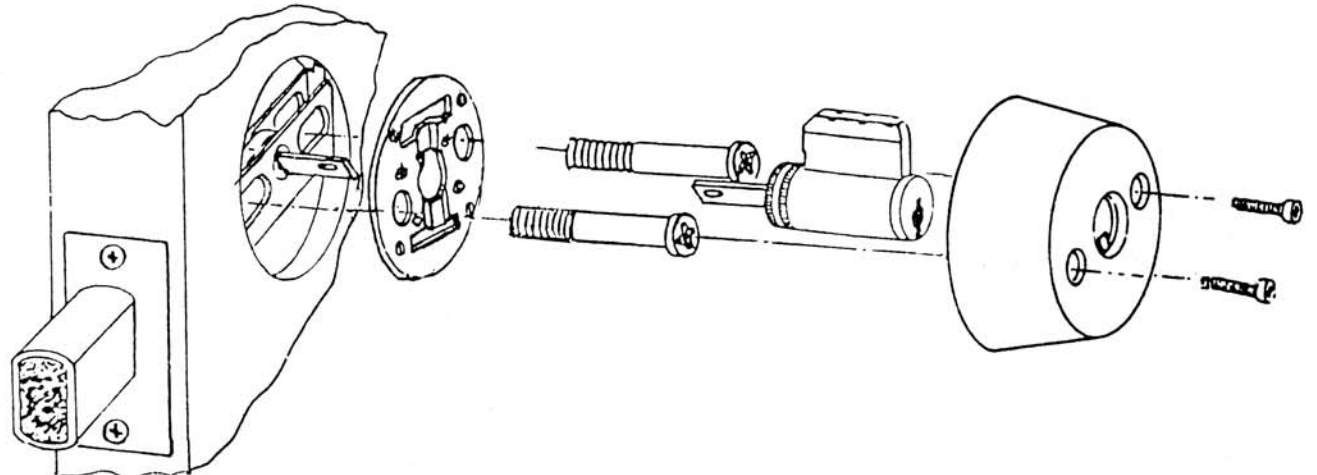
Insert key and turn until screw holes are exposed. Fasten with two screws. Return key to vertical position and remove key.

6 **SAME AS SINGLE CYLINDER.**

PREPARE DOOR EXACTLY AS IN STEPS 1,2,3 AND 4 IN SINGLE CYLINDER

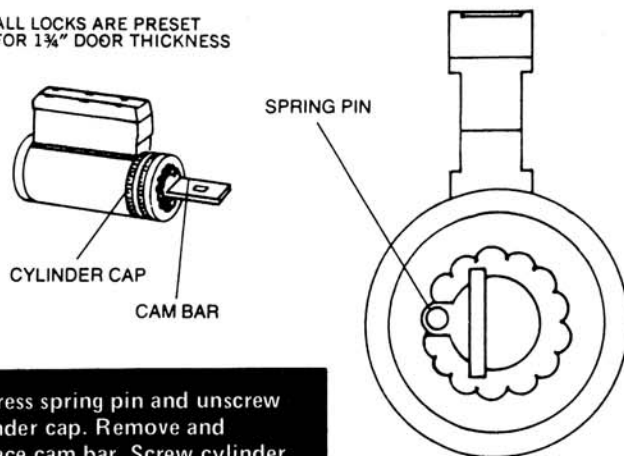


FLAT SIDES MEET



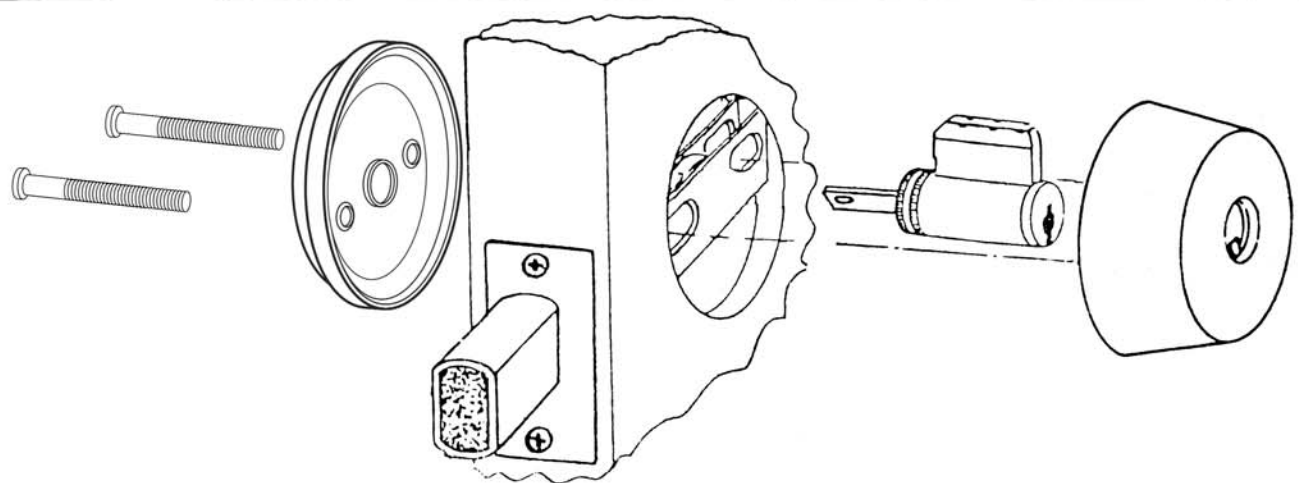
HOW TO CHANGE CAM BAR

ALL LOCKS ARE PRESET FOR 1 3/4" DOOR THICKNESS



Depress spring pin and unscrew cylinder cap. Remove and replace cam bar. Screw cylinder cap on to plug while holding spring pin depressed until the cap is tight, then back off one or two notches as required. Check cylinder for proper clearance. If cap is too loose, the key cannot be withdrawn and if too tight, cylinder will bind. Make sure that spring pin is engaged with cylinder cap.

INSTALLATION OF DEADLOCK WITH CYLINDER OUTSIDE, BLANK INSIDE



PREPARE DOOR EXACTLY AS IN STEPS 1,2,3 AND 4 IN SINGLE CYLINDER

Extend deadbolt. Install cylinder housing without key, keeping cylinder cam bar in line with cam slot. Install blank plate with two 1/4-20 machine screws and tighten.