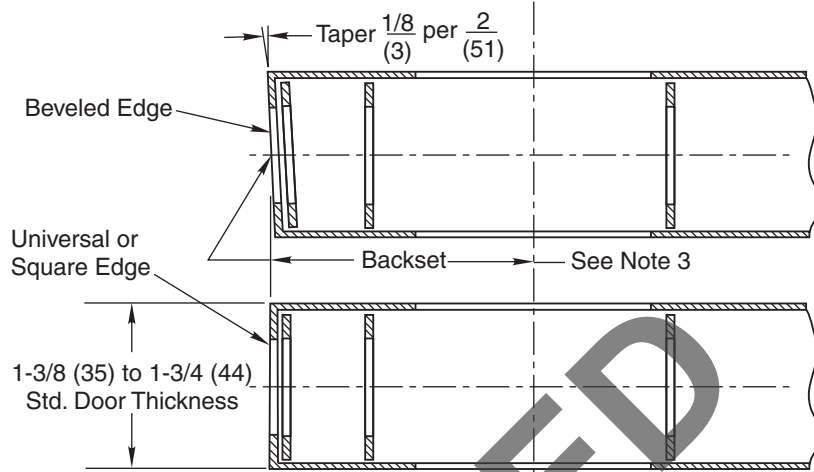
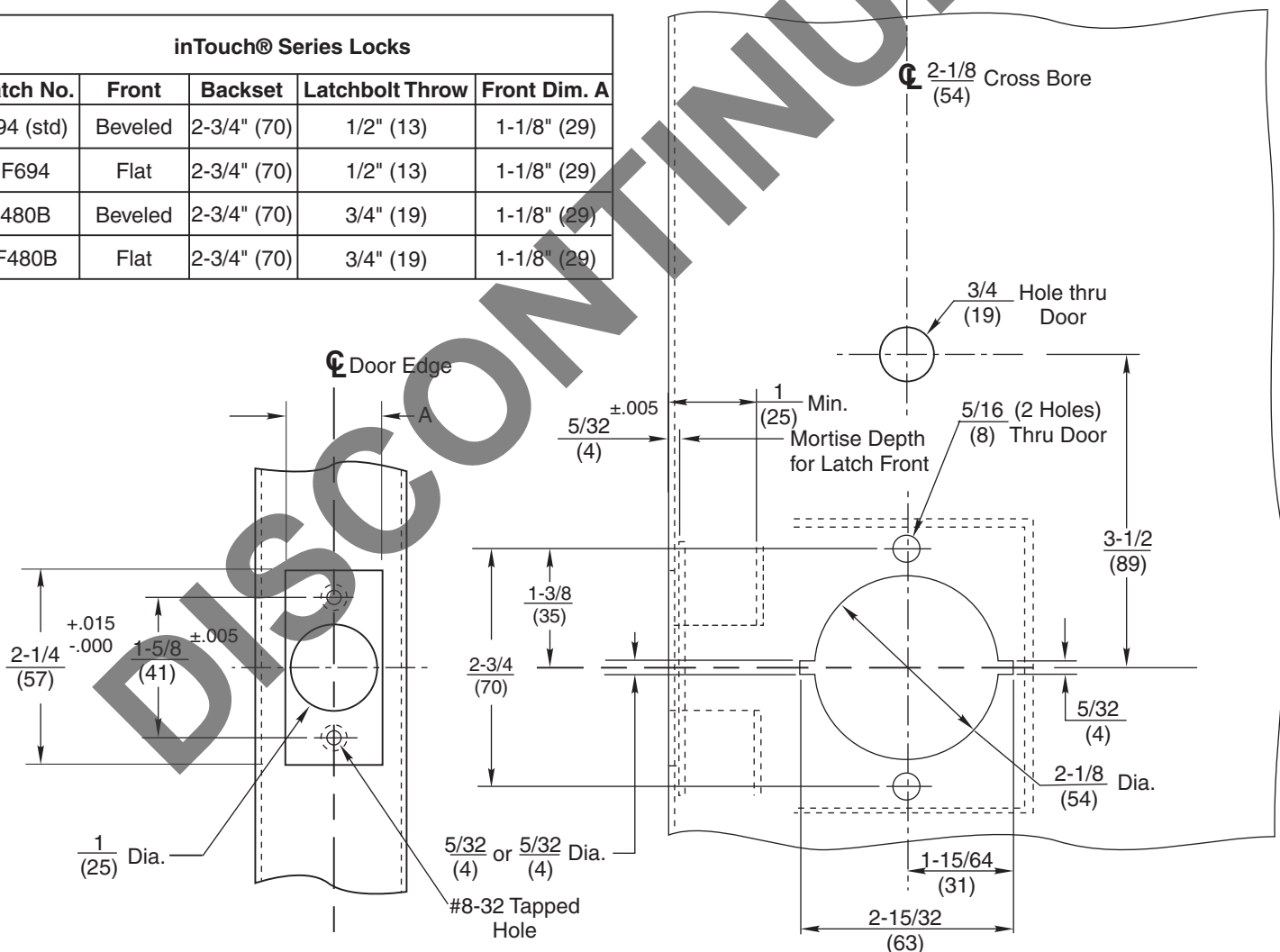


**Notes:**

1. Do not scale drawing
2. For strike preparation refer to:  
371 Strike - Template No. 7102-0005  
497 Strike - Template No. 7102-0003
3. Backset: 2-3/4" (70mm) standard
4. For wood door preparation refer to  
Template No. 7150-8017
5. Door manufacturer must provide supports within the door to keep the door from collapsing when lock is installed. Back of latch case must also be supported.
6. All dimensions given in inches (mm).



inTouch® Series Locks				
Latch No.	Front	Backset	Latchbolt Throw	Front Dim. A
694 (std)	Beveled	2-3/4" (70)	1/2" (13)	1-1/8" (29)
F694	Flat	2-3/4" (70)	1/2" (13)	1-1/8" (29)
480B	Beveled	2-3/4" (70)	3/4" (19)	1-1/8" (29)
F480B	Flat	2-3/4" (70)	3/4" (19)	1-1/8" (29)



**inTouch® Stand-alone Touchscreen Access Locks  
H.M. Door Preparation  
2-3/4" (70mm) Backsets**

**Yale** 100 Yale Ave.  
Lenoir City, TN 37771-3226  
1-800-438-1951  
www.yalelocks.com

TEMPLATE NUMBER	DATE
<b>7150-8016</b>	<b>09-11</b>