

EPT / EPTL ELECTRICAL POWER TRANSFER INSTALLATION INSTRUCTIONS

Includes: EL-EPT / EL-EPTL – ElectroLynx Version

1. DESCRIPTION

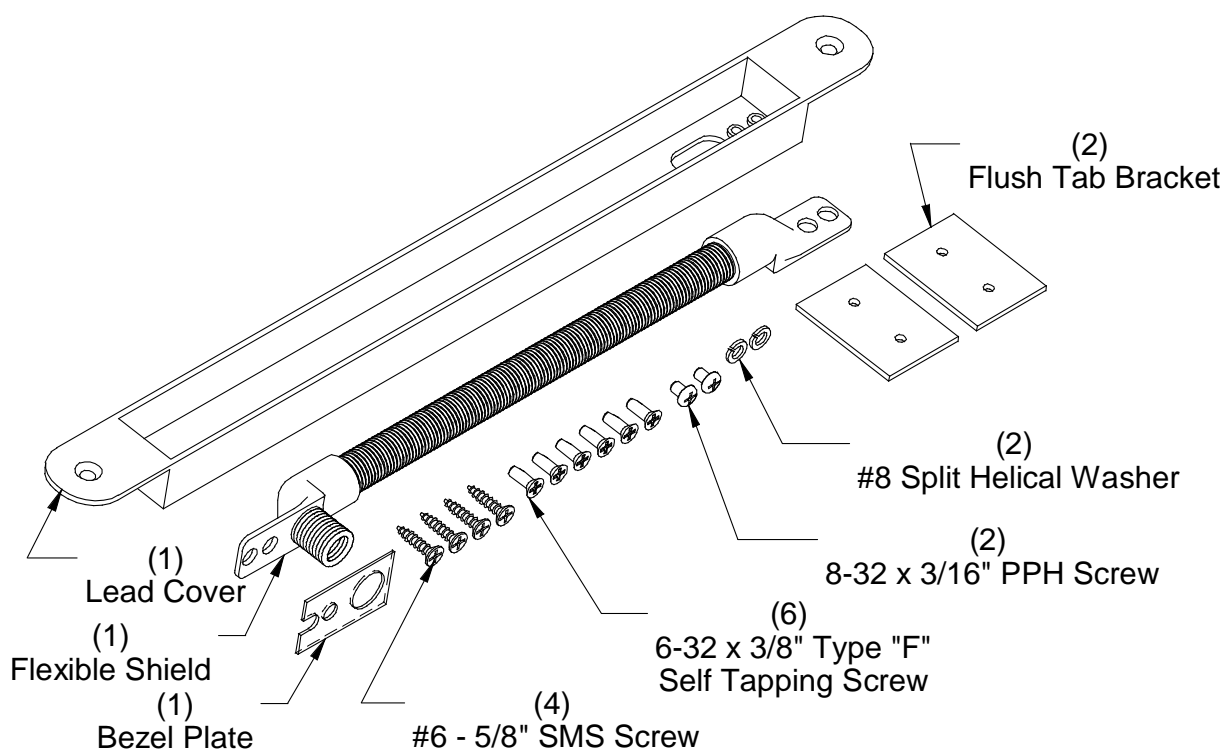
The EPT/EPTL allows an electric lock or exit device, such as a Securitron Touch Sense Bar or Touch Sense Handle device, to be installed while concealing the cabling on the hinge side of the door between the edge of a door and door frame. The EPT/EPTL includes a flexible steel shield approximately 5/16" [7,9mm] (I.D.) inside diameter.

The EPT/EPTL power transfer devices are able to be installed onto doors accompanied with Full Mortise Butt Hinges, Continuous Butt Hinges or Offset Pivot Type Hinges. The Pivot Type Hinge styles may have up to a 3/4" [19,0mm] offset maximum.

Note: The EPT/EPTL models are not compatible with doors containing Swing Clear Type Hinges or Center Pivot Type Doors.

2. PRODUCT OVERVIEW

Upon unpacking this product, an inventory should be made to insure that all of the required components have been included. Along with these Instructions and the Installation Template, this product should include the following items:



3. PHYSICAL INSTALLATION

It is recommended to edge mount the EPT/EPTL in the upper half of a steel door and the lower half of a wood door. The EPT/EPTL Lead Cover should be a minimum of 6" [152,4mm] from the middle butt hinge cutout or centered between the butt hinges. Prior to installation, ensure that you have the correct version of the EPT/EPTL for the door/frame. The EPT is used for door swing gap distances of 2-1/2" [63,5mm] or less between door edge and the door frame. The EPTL is used for longer door swing gap distances greater than 2-1/2" [63,5mm].

A simple measurement may be taken to determine the correct EPT/EPTL for the application. To measure the swing gap distance, open the door its full travel distance. Measure the distance from the centerline of the door edge to the centerline position on the door frame as shown in Figure 1. If this distance is 2.5" [63,5mm] or less an EPT may be used. If the distance is greater than 2.5" [63,5mm] an EPTL must be used. Once the correct unit is determined, use the following step by step procedure to correctly install the EPT/EPTL.

Note: The door stile, number of hinges and distance between hinges may vary depending upon the door manufacturers. Consult the specific door manufacturer to help decide if the EPT/EPTL will fit the application.

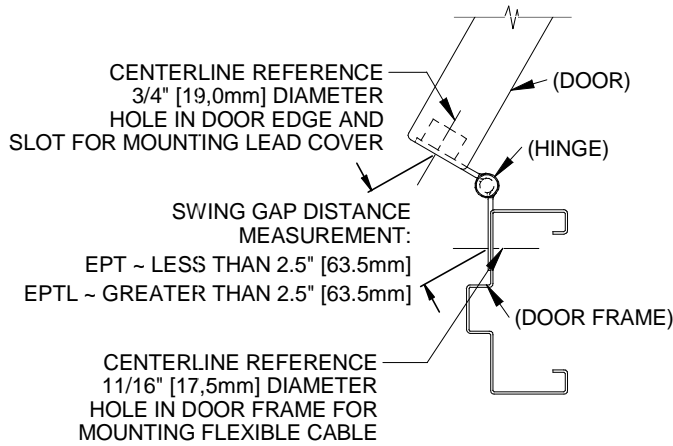


Figure 1

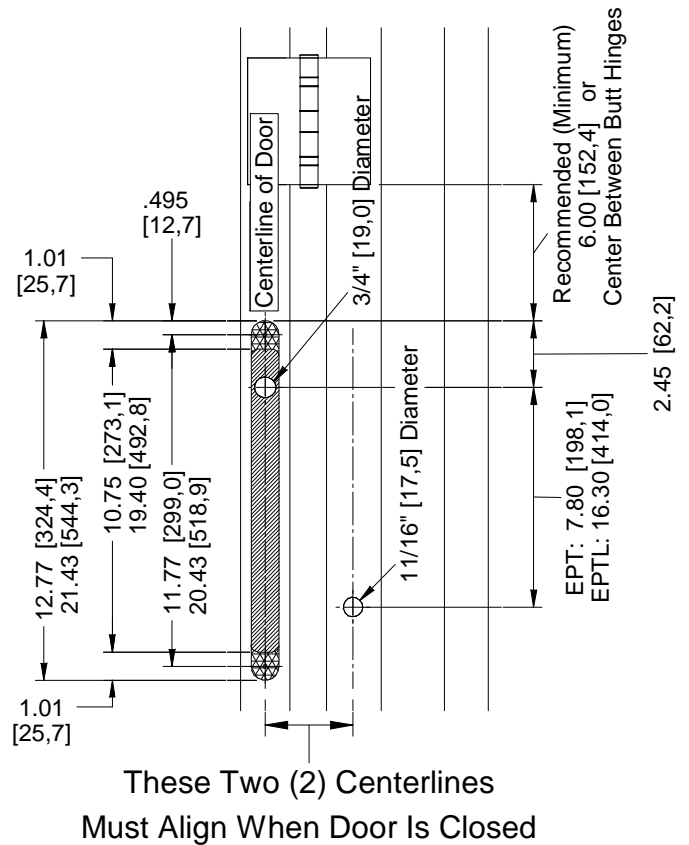


Figure 2

Wood Doors and Frames

Using a router, cut the main recess slot into the edge of the door .700" [17,8mm] deep as explained in Figure 2 and Figure 3. Reset the router depth to .075" [1,9mm] and route the two (2) recess flange areas for the flush mount tabs. Place the lead cover into position and mark the location of the cable exit oblong hole and the mounting hole locations. Remove the Lead Cover and drill the (2) two holes using a 1/8" [3,2mm] diameter drill approximately 1/2" [12,7mm] deep. Drill the 3/4" [19,0mm] diameter hole into the door edge. Pass cable from the exit device through the hole in the door edge. Pass the cable through the oblong hole in the Lead Cover. Properly attach the two (2) electrical connectors at the door location. Mount the Lead Cover into place using the two (2) #6 x 5/8" Flathead Type-A Screws provided. Locate and mark the mounting holes for the Flexible Shield onto the door frame. Drill the 11/16" [17,5mm] diameter hole into the door frame. Drill (2) two holes using a 1/8" [3,2mm] diameter drill approximately 1/2" [12,7mm] deep for mounting of the Flexible Shield. Pass the cable through the Flexible Shield and apply Bezel Plate if not preassembled. Properly attach the two (2) electrical connectors at the frame location and pass into the hole of the door frame. Mount the Flexible Shield onto the Lead Cover using the two (2) 8-32 x 3/16" Screws and #8 Split Helical Washers provided. Align the cable and the other end of the Flexible Shield onto the door frame and secure using the two (2) remaining #6 x 5/8" Flathead Type-A screws provided as shown in Figure 4.

Note: The frame side of the Flexible Shield requires the Bezel Plate for concealing the oversize hole when mounted to the frame.

Metal Doors and Frames:

Metal doors must also have a flush surface mount installation. The door/frame manufacturer may prepare a pre-fabricated tab for internal mounting capabilities or use the Flush Tab Brackets provided. The cut out for the Lead Cover may be cut with a radius or square cornered as noted in Figure 3 and on the Template provided. If field retrofit installation is being performed, route the complete perimeter of the bracket and tab area and install the EPT/EPTL using the Flush Tab Brackets provided. When mounting the Lead Cover, drill the mounting holes 1/8" [3,2mm] and use the 6-32 x 3/8" Type "F" Self Tapping Screws provided. Follow the Template provided for placement of the screw holes for the Flush Tab Brackets. Also when mounting the Flexible Shield to the metal door frame, drill the same holes at 1/8" [3,2mm] and use the two (2) remaining 6-32 x 3/8" Type "F" Self Tapping Screws.

Note: Applications containing combinations of doors or frames made of wood or metal; follow the proper procedures related to the device as necessary.

The illustration of Figure 3 represents the configurations for both the solid core wood door and metal door installations. This is to help to understand the process for flush mounting the EPT/EPTL in the correct manner for the door application required.

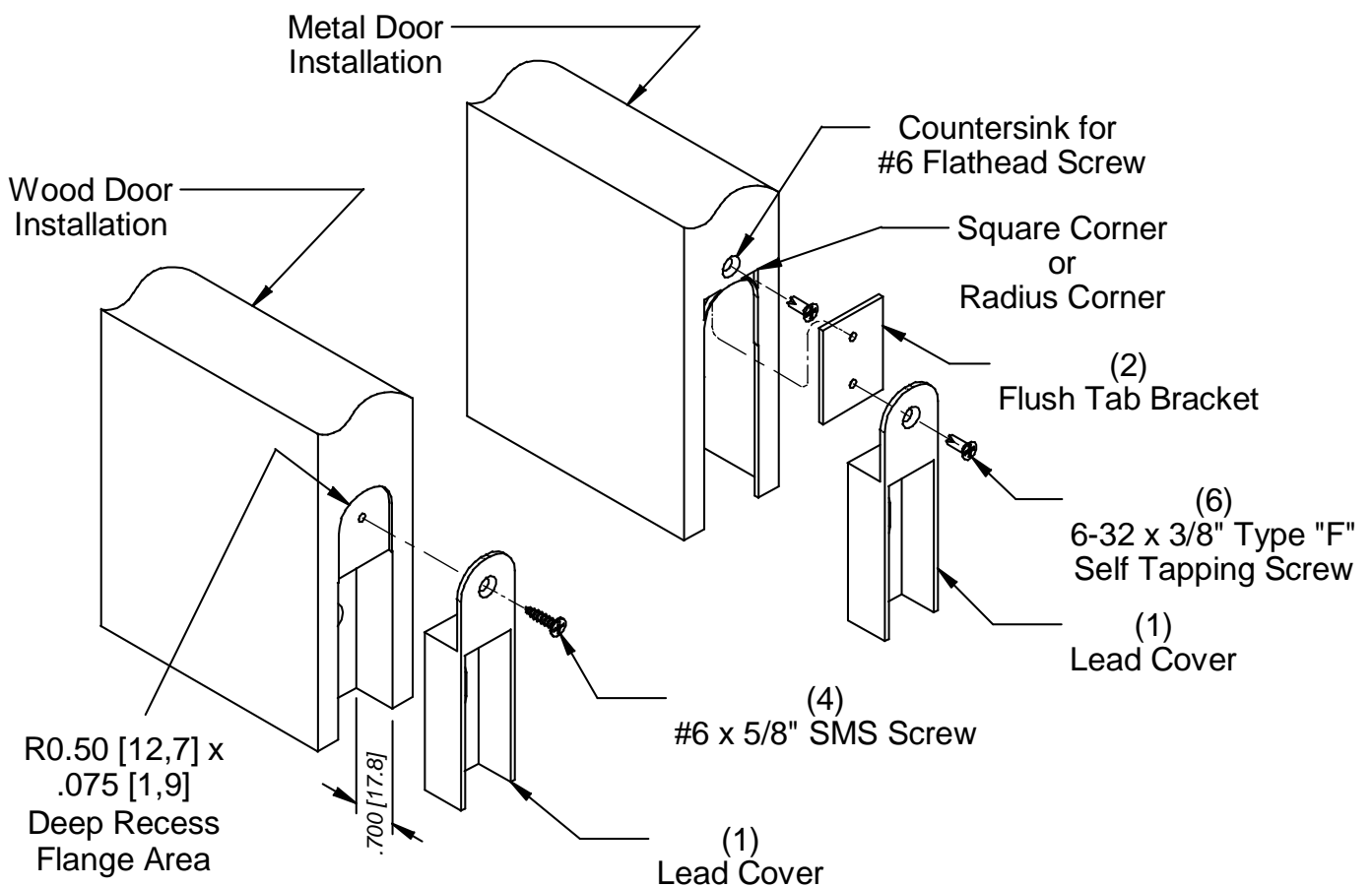


Figure 3

Note: Routing is generally performed into the edge of the door (as shown) but this can be reversed with the routing being done into the frame.

EPT/EPTL Special UL / Electrical Note:

- To maintain this product's compliance with UL listings (UL 10C and UBC 7-2-1997), the maximum number of electrical conductors to be used is twelve (12) - using No. 20-22 AWG size wire.
- Electrical rating for the EPT and EPTL is 1Amp @ 12V or 24V – AC or DC.

**EL-EPT / EL-EPTL
ElectroLynx VERSION**

1. DESCRIPTION

ElectroLynx is a standardized plug-in connection system which allows for the easy installation of door mounted hardware. Door mounted locking hardware, doors, hinges or power transfer devices and frames are available pre-wired from ASSA Abloy companies with universal plug-in connectors for a simplified, time saving field installation.

2. OVERVIEW

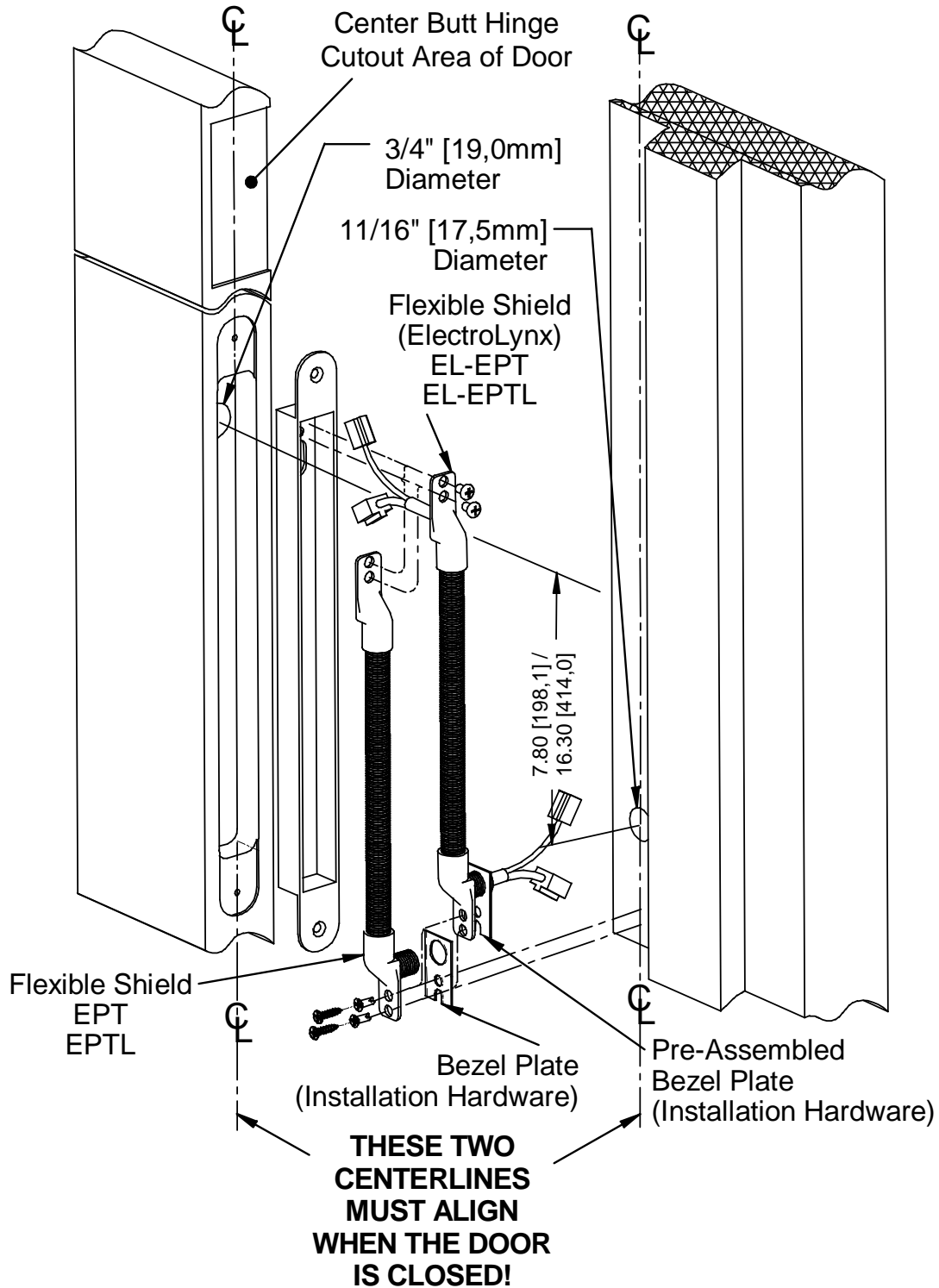
The structural design of the *ElectroLynx* version is the same as the EPT/EPTL unit. It includes an additional 12 conductor cable placed in the Flexible Coil with 2 connectors applied on each end containing an 8 pin and a 4 pin connector pre-wired pin-to-pin.

3. PHYSICAL INSTALLATION

The installation of the *ElectroLynx* Version (EL) is similar to the standard EPT/EPTL. The *ElectroLynx* Version comes pre-harnessed on both ends with dual harness plug adapters for system accessories as illustrated in Figure 4. The dual harness connectors provided come out of the back side of the Lead Cover for connection to the door edge accessory devices. The opposite end also contains dual harness plug adapters to connect into device signal lines through the door frame accessory devices.

Attach all proper connections of the harness at the door location. Push the cable and connectors back into the hole of the door. Mount the Flexible Shield to the Lead Cover as shown in Figure 4. Mount the Lead Cover as described in Figure 3 and Figure 4. Attach the proper connections at the frame location. Push the cable and connectors back into the frame. Mount the Flexible Shield to the frame as described in Section 3 and the EL-EPT/ EL-EPTL Physical Installation in Figure 4.

Note: The frame side of the Flexible Shield also contains a Bezel Plate over the extended spring section for concealing the oversize hole once mounted to the frame.



Dimensions in [Brackets] are metric (millimeter)

Figure 4

EL-EPT/EL-EPTL ElectroLynx Electrical Note:

Electrical Rating: EL-EPT and EL-EPTL is 1 Amp @ 12V or 24V – AC or DC