

# The ElectroLynx® Connector System For P or G Functions and/or B, O and S Monitors Mortise Device Trim SAFE/SECURE and O and/or S Monitors Electric Exit Device

# ASSA ABLOY

## Installation Instructions

### Table of Contents

Steps for installing Exit with a QC

|   |   |  |    |
|---|---|--|----|
| System for all Electrical Installations.....        | 1 | Installing G Function and O Monitor..... | 6  |
| Installing Non-ElectroLynx Door Prep .....          | 2 | Installing P Function .....              | 7  |
| Installing SAFE/SECURE Function .....               | 3 | Installing O Monitor .....               | 8  |
| Installing SAFE/SECURE Function and O Monitor ..... | 4 | Installing B Monitor.....                | 9  |
| Installing G Function .....                         | 5 | Installing S Monitor.....                | 10 |

### Steps for Installing Exit with a ElectroLynx® System for All Electrical Installations

1. Mount exit device per instruction sheet provided.
2. Plug exit device connector into raceway connector in door then feed through 1" (25mm) hole in door. Install rail mounting end clamp bracket with two screws supplied. Install end cap.
3. Plug raceway connector from edge of door into electric hinge connector then feed wires back through door prep. Mount electric hinge to door.
4. Go to (a) if wiring now. Go to (b) if wiring is to be done later.
  - a. Wire frame side wires to wires on pigtail harness on hinge as required using connectors allowed by local code. Plug pigtail harness connector into electric hinge connector. Feed harnesses through frame prep and mount electric hinge.
  - b. Plug pigtail harness connector into electric hinge connector. Feed harnesses through frame prep and mount electric hinge.

### Installation Notes

1. Wiring to pigtail harness is per facility wiring requirement.
2. If you do not have an ElectroLynx System then go to the function or monitor page(s) with your device.
3. Combinations of certain monitors can be used in each device. Note: These instructions detail the

### ElectroLynx Connector System Notes:

The system is designed to be installation friendly with plug connectors from the electric hinge through the door to device. The only wiring required is the loose wires on the pigtail harness assembly on the frame side of the electric hinge (Included with the QC Hinge). Combinations of certain switches and monitors can be used.

 **Important:** The plug and receptacle connectors are designed to mate and lock together. Plug the connectors into each other with the locking mechanism aligned. **Do NOT force connectors on any other way.**

### WARNING

This product can expose you to lead which is known to the state of California to cause cancer and birth defects or other reproductive harm. For more information go to [www.P65warnings.ca.gov](http://www.P65warnings.ca.gov).

### WARNING

Attention Installer: Any retrofit or other field modification to a fire rated opening can potentially impact the fire rating of the opening, and ASSA ABLOY makes no representations or warranties concerning what such impact may be in any specific situation. When retrofitting any portion of an existing fire-rated opening, or specifying and installing a new fire-rated opening, please consult with a code specialist or local code official (Authority Having Jurisdiction) to ensure compliance with all applicable codes and ratings.

80-8470-9000-000 10/23

1-800-438-1951 • [www.assaabloy.com](http://www.assaabloy.com)

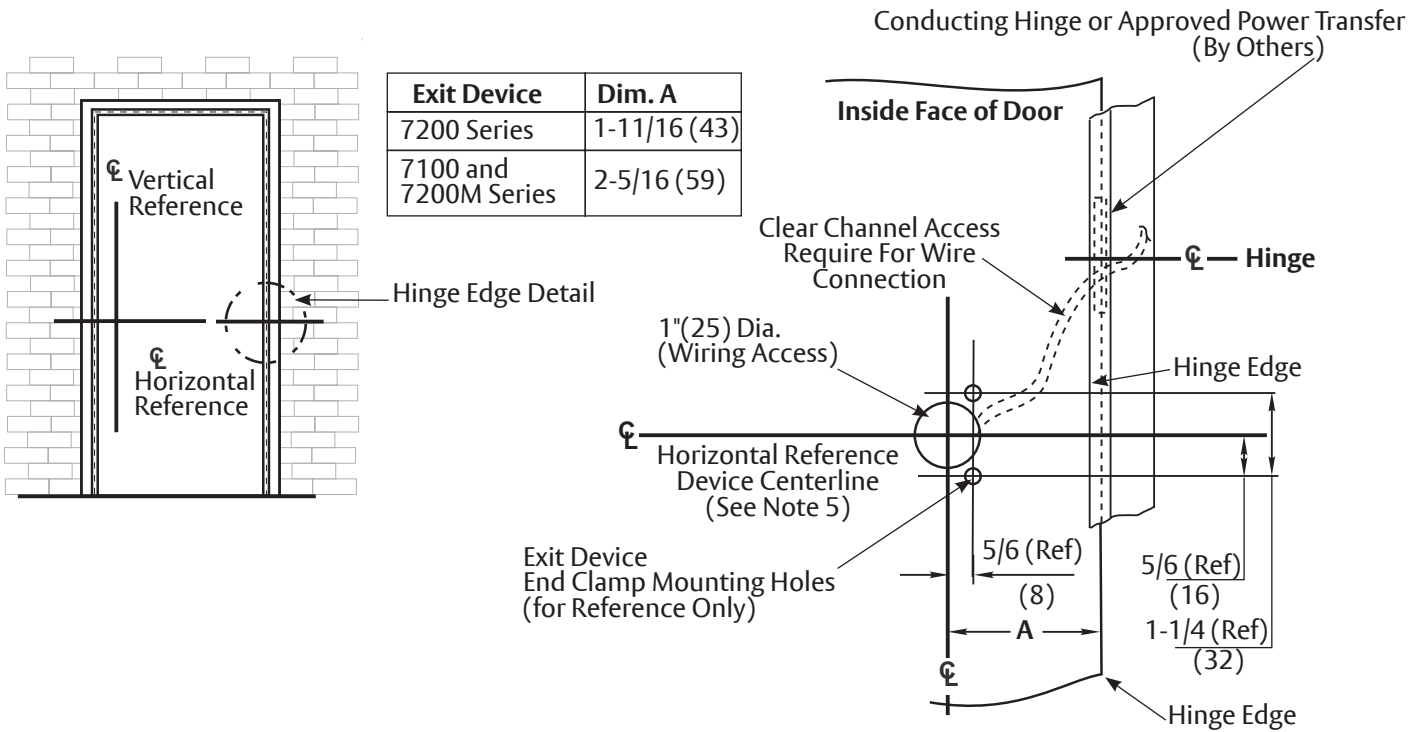
Experience a safer  
and more open world

## Installing Non-ElectroLynx Door Prep

If you have a non ElectroLynx door then remove connector at end of Exit Device and connect wires to incoming wires from power source using wire nuts, butt splices, etc.

### NOTES:

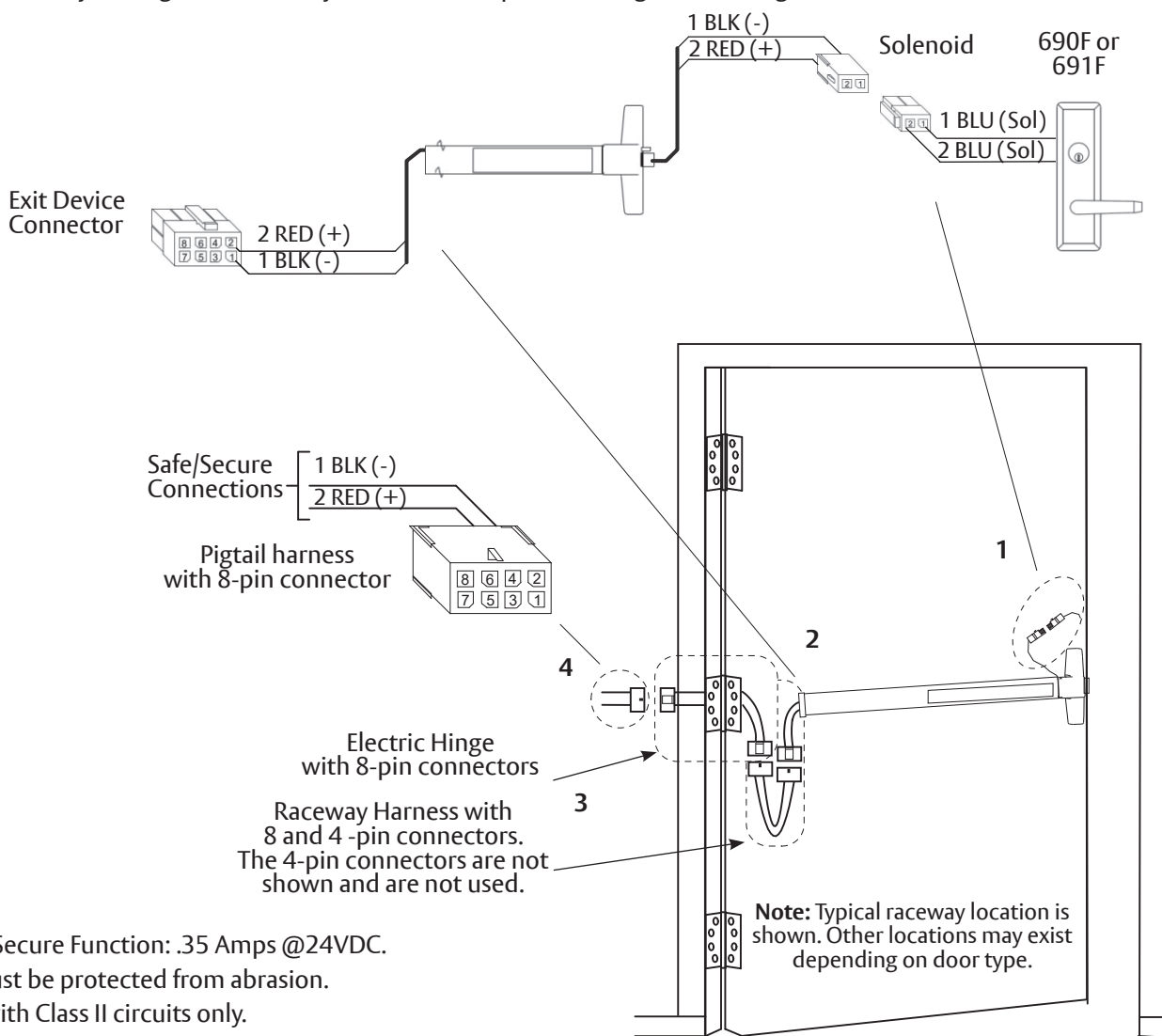
1. Do not scale drawing.
2. Dimensions are in inches (mm).
3. LHR H.M. opening shown. Details are typical for all opening materials (both hands).
4. This preparation is an addition to preparation shown on device template.
5. See device template to locate centerline of device template.
6. Shields for wiring access recommended for insulated and composite doors.



**Installation Instructions**

**Mortise Device Trim SAFE/SECURE**

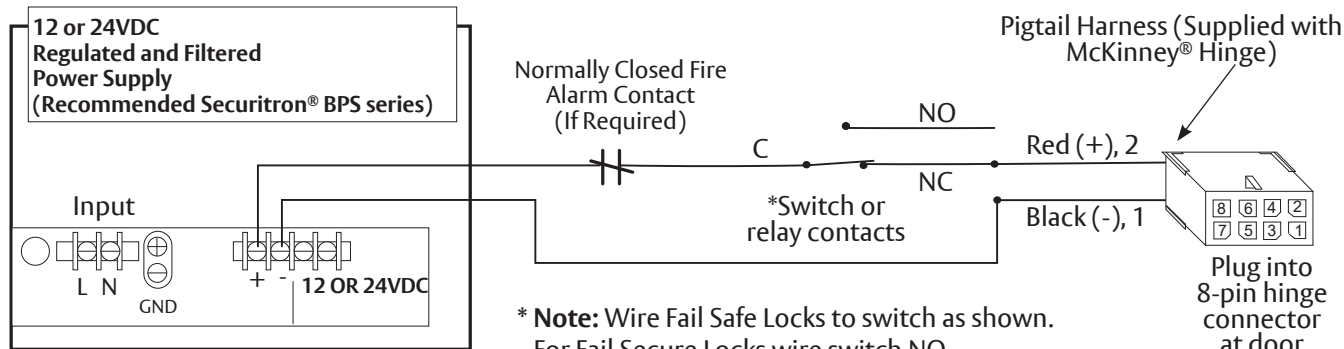
If you have the ElectroLynx Hinge Connector System follow Steps 1–4 on Page 1 for wiring instructions.



For Safe/Secure Function: .35 Amps @24VDC.  
Wires must be protected from abrasion.  
For use with Class II circuits only.

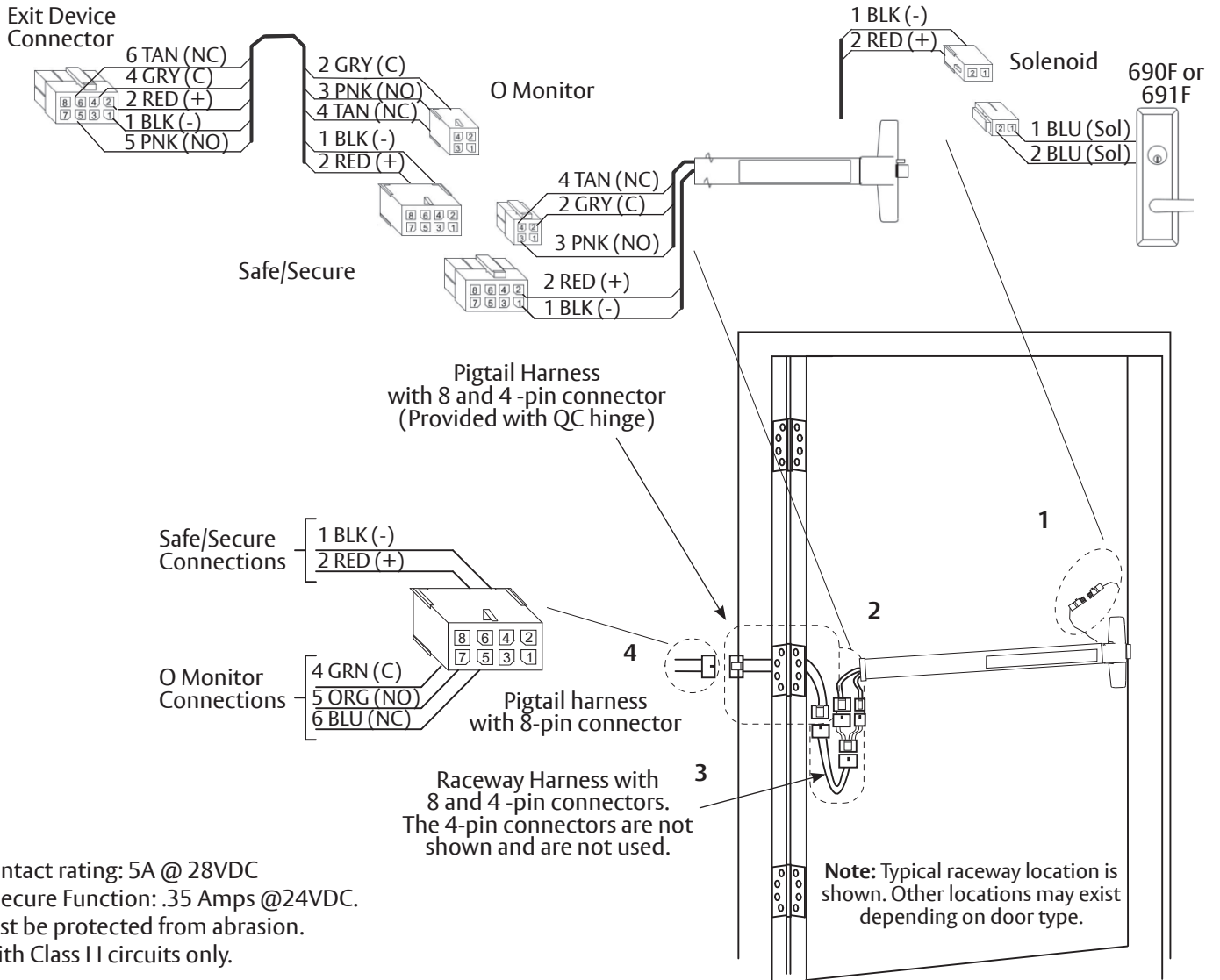
**Sample Wiring of Mortise Safe/Secure**

12 OR 24VDC Regulated and Filtered Power Supply (Wiring shows power ON and lock in Secure State)



## Installing Safe/Secure and O Monitor

If you have the ElectroLynx Hinge Connector System follow Steps 1–4 on Page 1 for wiring instructions.

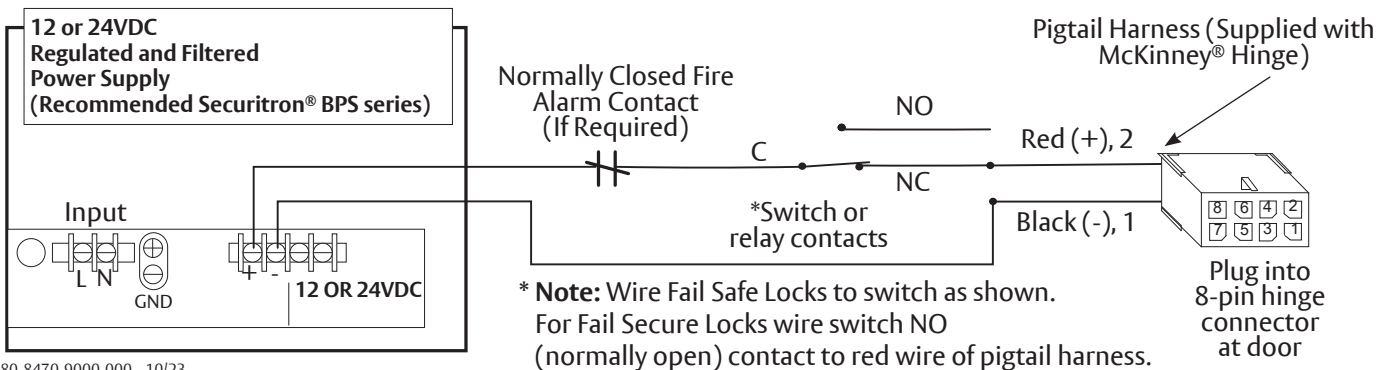


### NOTES:

- Switch contact rating: 5A @ 28VDC
- For Safe/Secure Function: .35 Amps @24VDC.
- Wires must be protected from abrasion.
- For use with Class I I circuits only.

## Sample Wiring of Mortise Safe/Secure

12 OR 24VDC Regulated and Filtered Power Supply (Wiring shows power ON and lock in Secure State)



80-8470-9000-000 10/23

Experience a safer  
and more open world

1-800-438-1951 • www.assaabloy.com

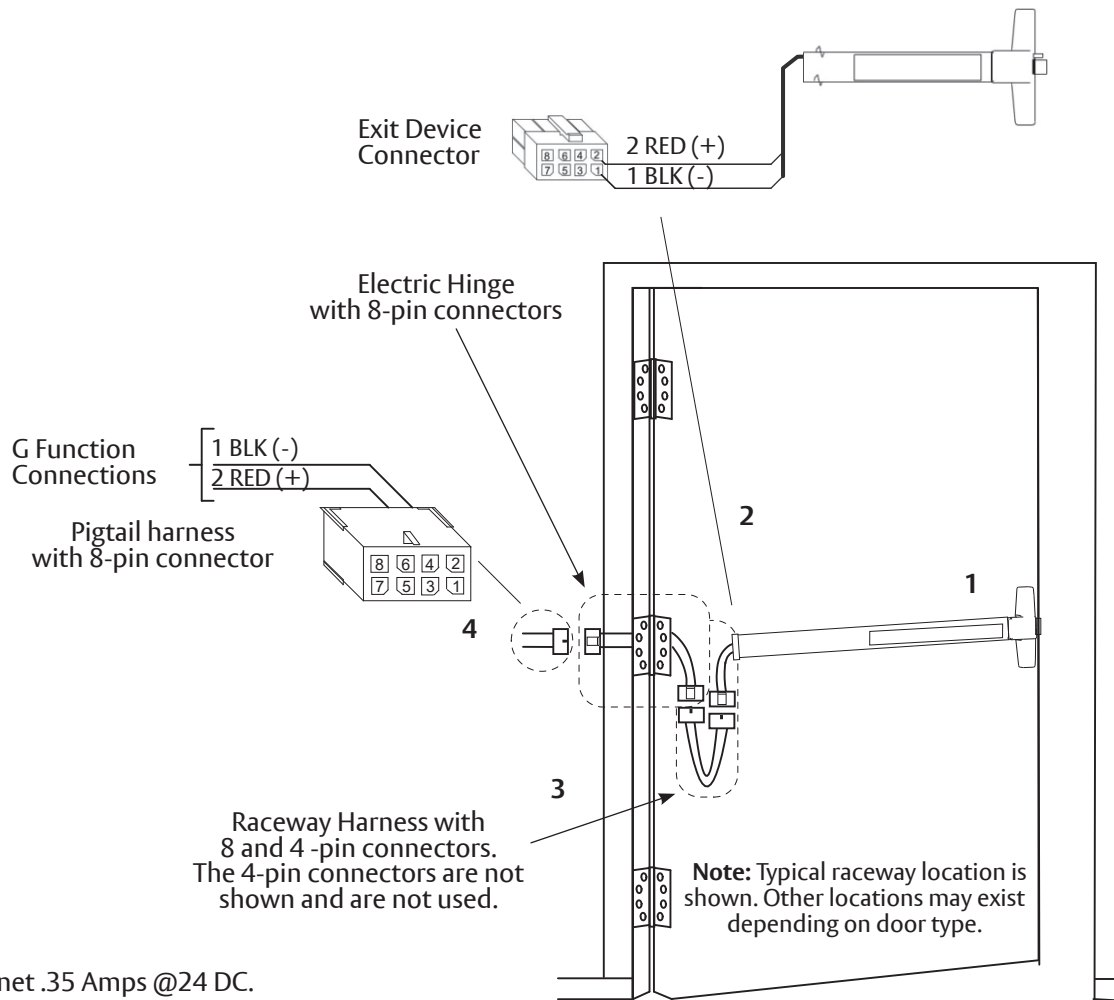
Copyright © 2005, 2013, 2023, ASSA ABLOY Access and Egress Hardware Group, Inc. All rights reserved. Reproduction in whole or in part without the express written permission of ASSA ABLOY Access and Egress Hardware Group, Inc. is prohibited.

The ElectroLynx® Connector System For P or G Functions and/or B, O and S Monitors Mortise Device Trim SAFE/SECURE and O and/or S Monitors Electric Exit Device

Installation Instructions

Installing G Function (Electric Dogging)

If you have the ElectroLynx Hinge Connector System follow Steps 1–4 on Page 1 for wiring instructions.

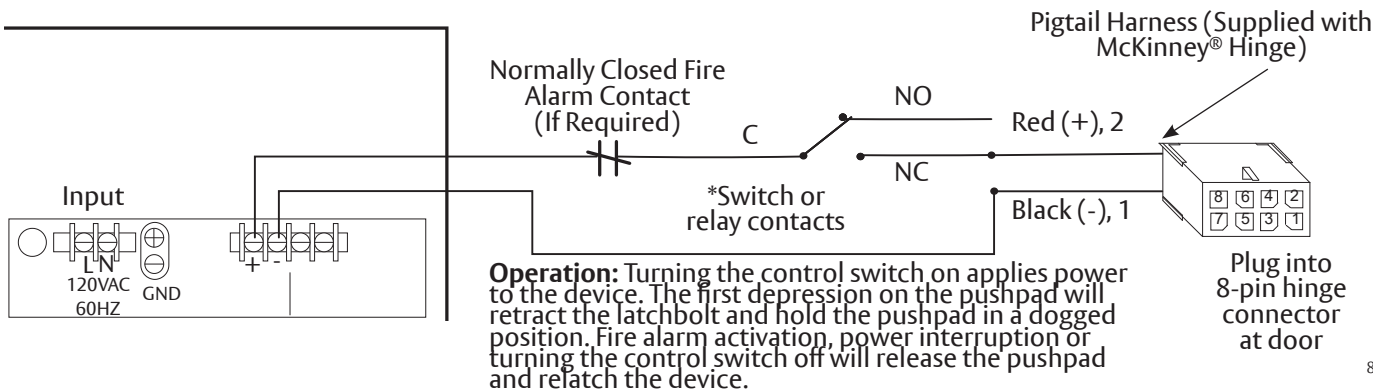


NOTES:

For G Function: holding magnet .35 Amps @24 DC.  
Wires must be protected from abrasion.  
For use with Class II circuits only.

Sample Wiring for G Electric Dogging

24VDC Regulated and Filtered Power Supply. (Wiring shows power on device.)



80-8470-9000-000 10/23

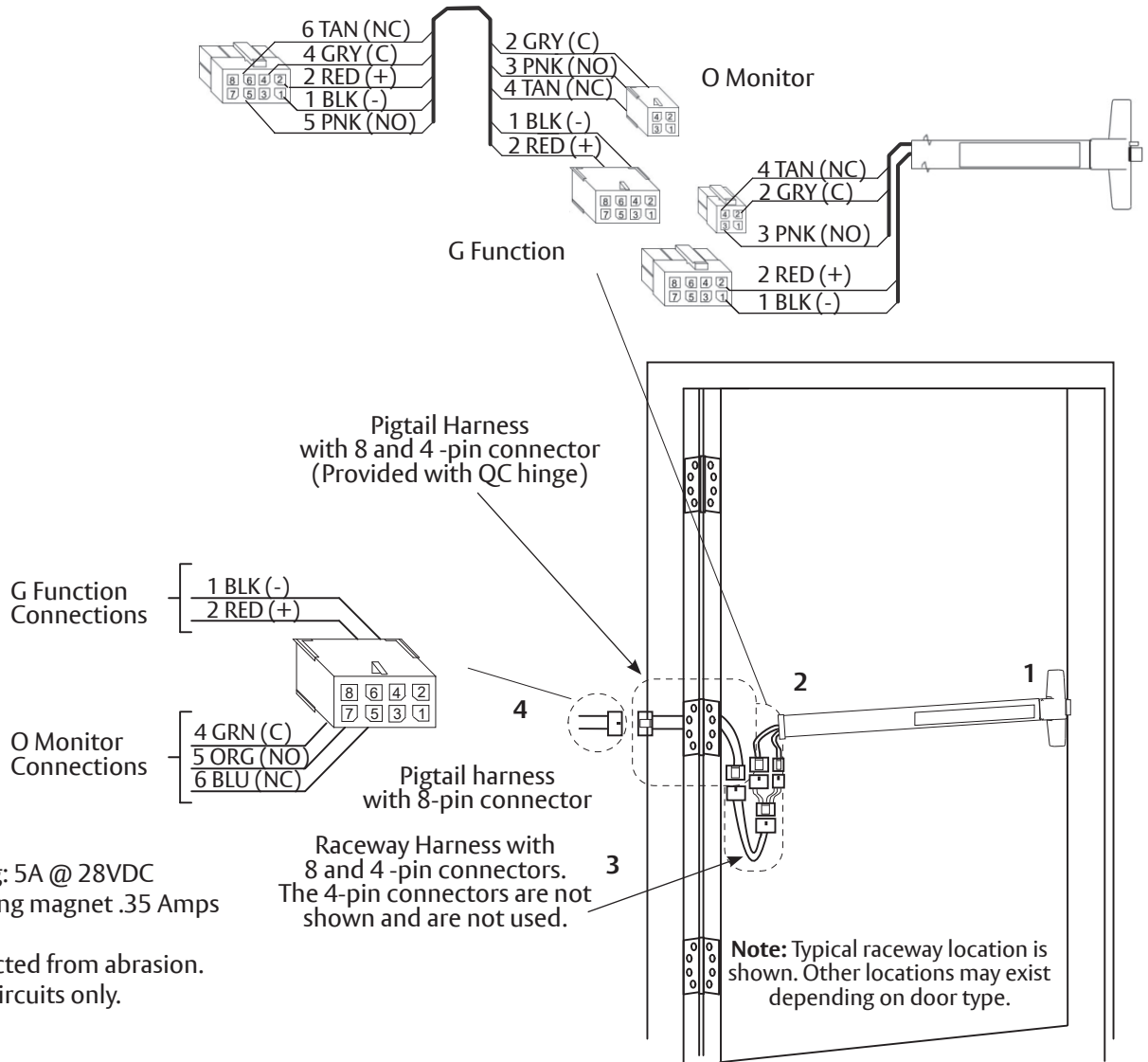
1-800-438-1951 • www.assaabloy.com

Copyright © 2005, 2013, 2023, ASSA ABLOY Access and Egress Hardware Group, Inc. All rights reserved. Reproduction in whole or in part without the express written permission of ASSA ABLOY Access and Egress Hardware Group, Inc. is prohibited.

Experience a safer and more open world

## Installing G Function and O Monitor

If you have the ElectroLynx Hinge Connector System follow Steps 1–4 on Page 1 for wiring instructions.

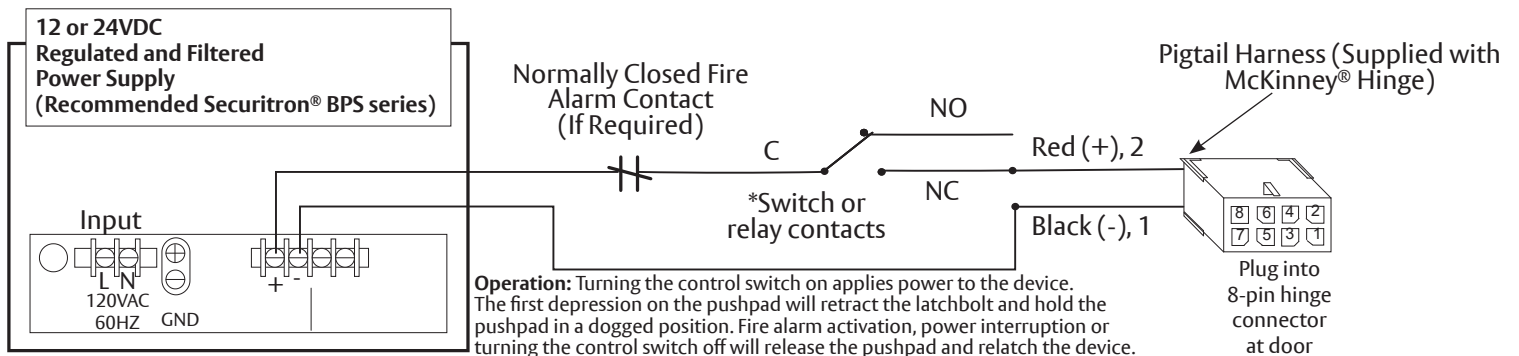


### NOTES:

Switch contact rating: 5A @ 28VDC  
 For G Function: holding magnet .35 Amps @24 DC.  
 Wires must be protected from abrasion.  
 For use with Class II circuits only.

## Sample Wiring for G Electric Dogging

24VDC Regulated and Filtered Power Supply. (Wiring shows power on device.)



80-8470-9000-000 10/23

Experience a safer  
 and more open world

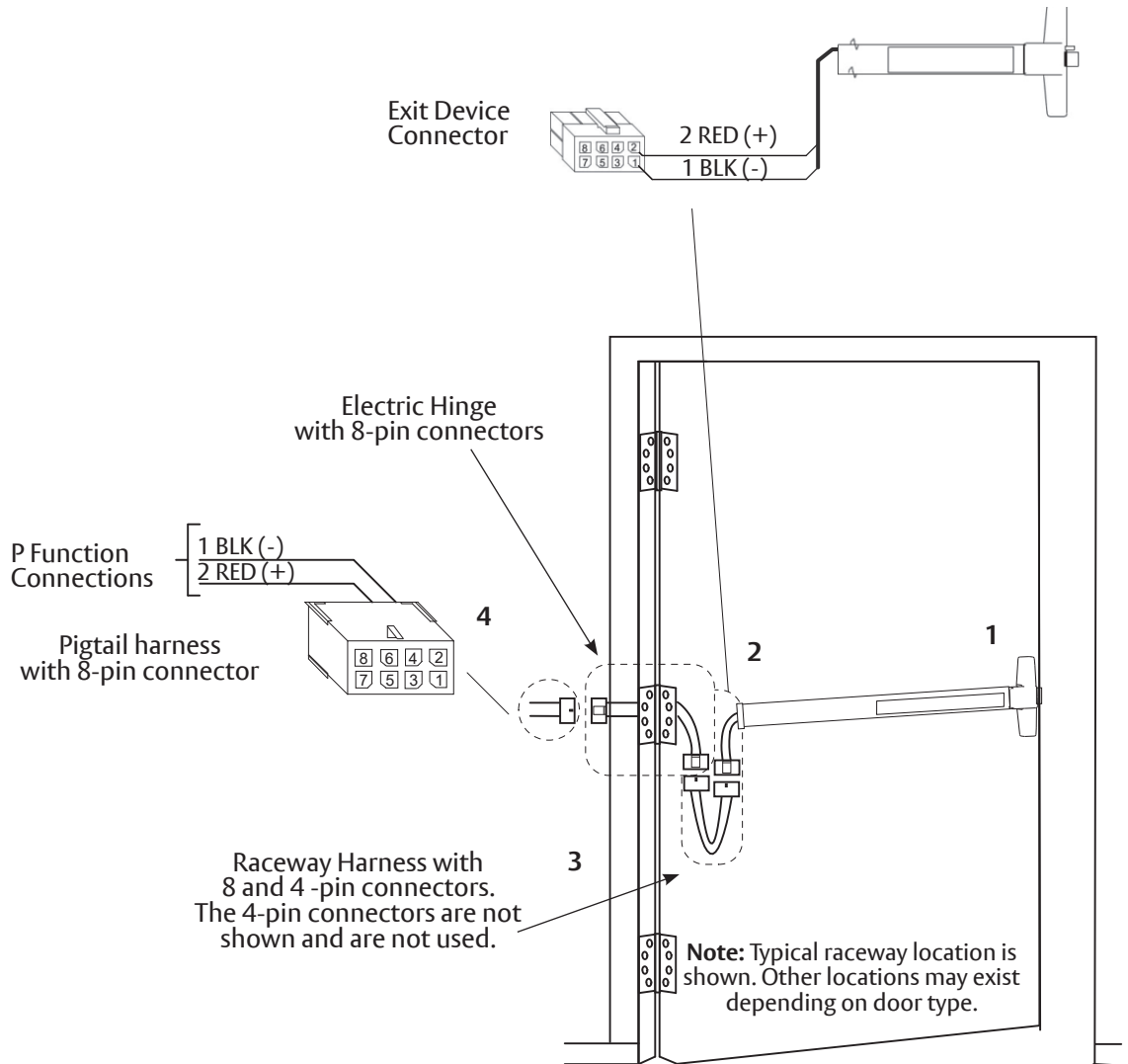
1-800-438-1951 • www.assaabloy.com

Copyright © 2005, 2013, 2023, ASSA ABLOY Access and Egress Hardware Group, Inc. All rights reserved. Reproduction in whole or in part without the express written permission of ASSA ABLOY Access and Egress Hardware Group, Inc. is prohibited.

**Installation Instructions**

**Installing P Function (Electric Latch Retraction)**

If you have the ElectroLynx Hinge Connector System follow Steps 1–4 on Page 1 for wiring instructions.



**NOTES:**

For P Function Solenoid, (.172 A seated) 10 A inrush. Requires a 782 Controller.

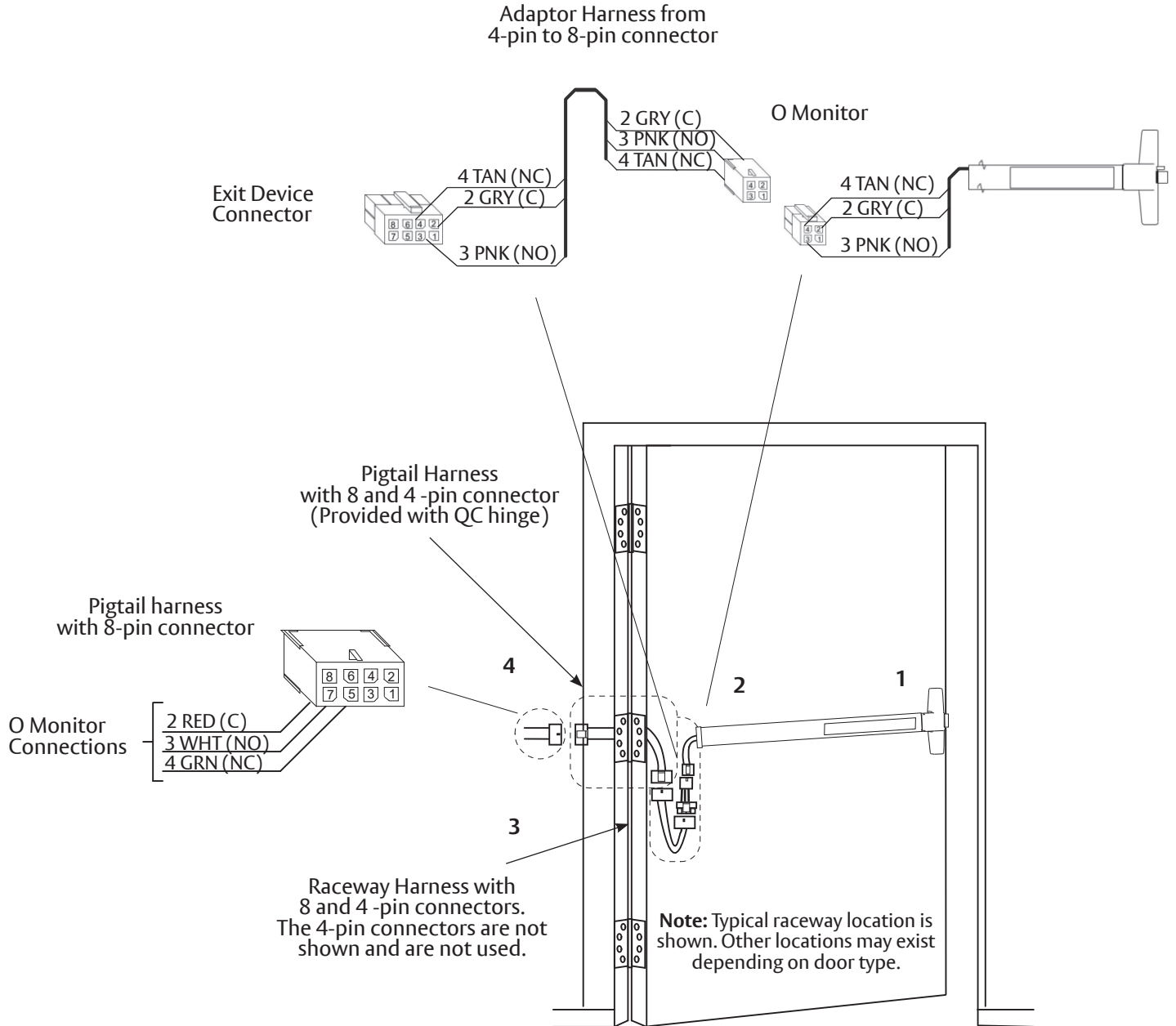
**(Any other Power supply voids the warranty of the Device.)**

Wires must be protected from abrasion.

For use with Class II circuits only.

## Installing O Monitor (Only) (Trim Actuated SPDT Switch)

If you have the ElectroLynx Hinge Connector System follow Steps 1–4 on Page 1 for wiring instructions.



**NOTES:**

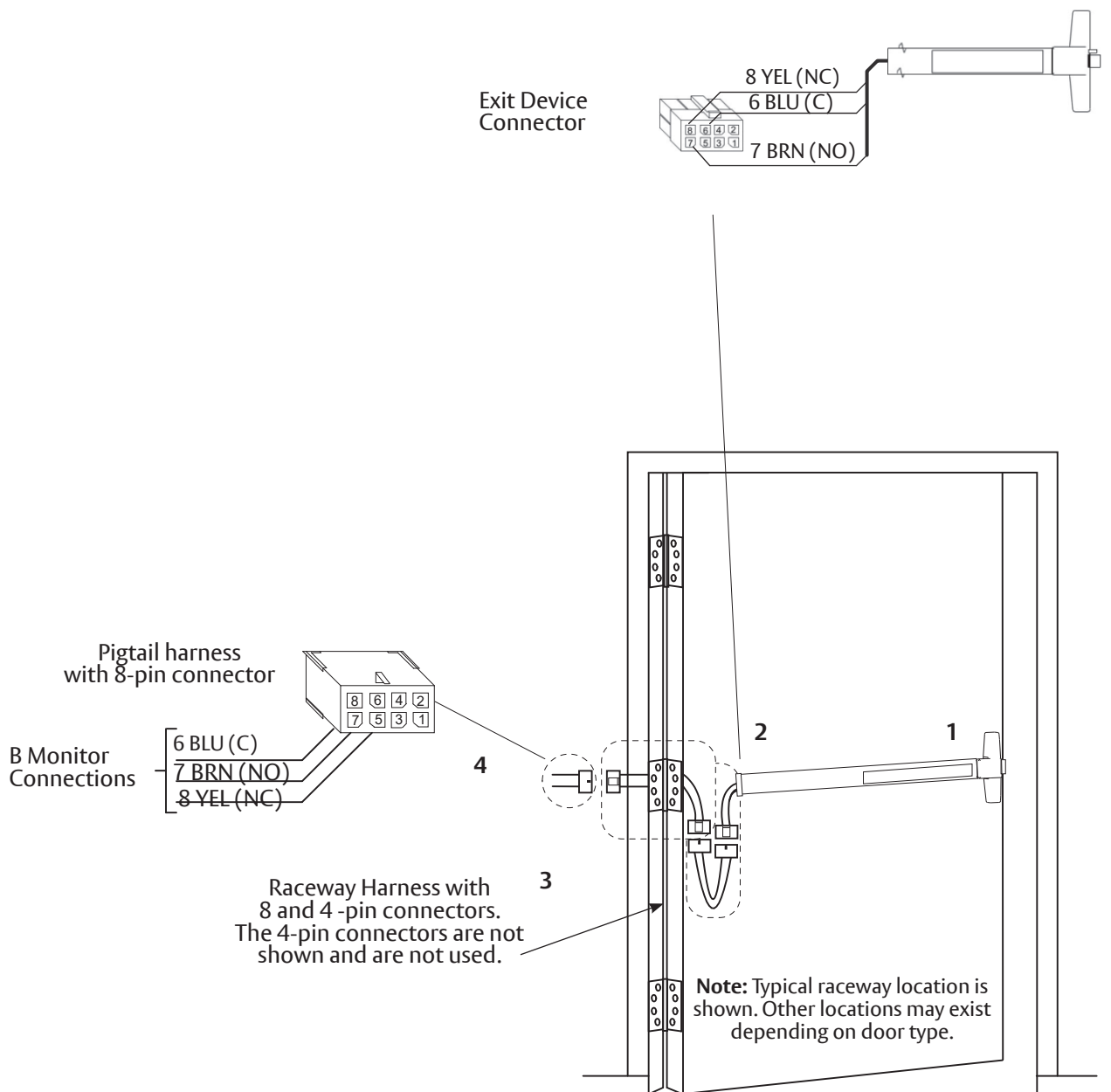
- Switch contact rating: 5A @ 28V DC
- Wires must be protected from abrasion.
- For use with Class II circuits only.



**Installation Instructions**

**Installing B Monitor (Touchbar actuated SPDT switch to indicate egress in progress)**

If you have the ElectroLynx Hinge Connector System follow Steps 1–4 on Page 1 for wiring instructions.

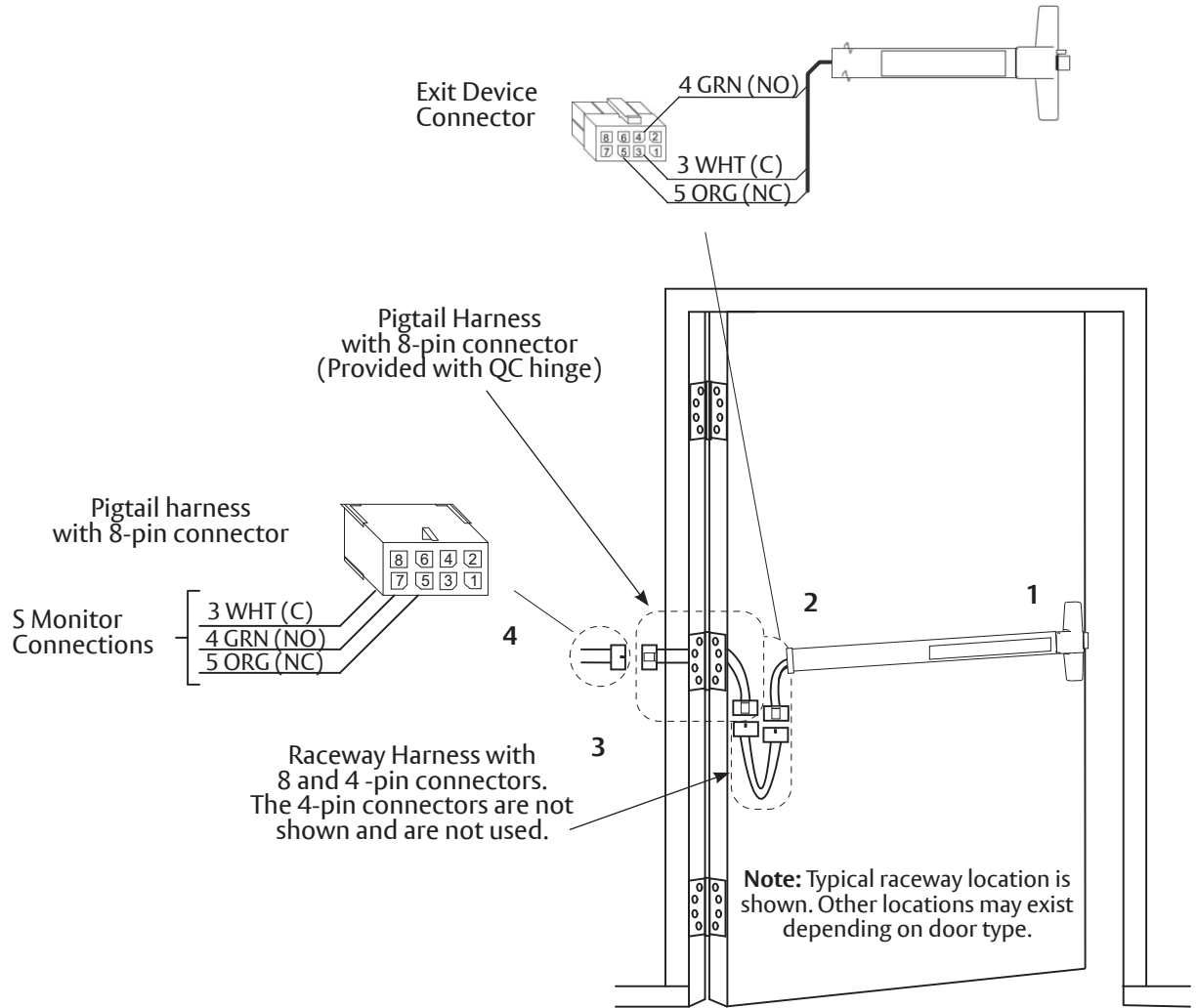


**NOTES:**

- Switch contact rating: 5A @ 28V DC
- Wires must be protected from abrasion.
- For use with Class II circuits only.

## Installing S Monitor (Bolt Actuated SPDT Switch )

If you have the ElectroLynx Hinge Connector System follow Steps 1–4 on Page 1 for wiring instructions.



### NOTES:

- Switch contact rating: 5A @ 28V DC
- Wires must be protected from abrasion.
- For use with Class II circuits only.



