

A. Installation Sequence

- 1 Close both doors. Find centerline between both doors and mark line perpendicular to doors on soffit or header. Drop plumb line to floor and mark line on floor perpendicular to doors. This is the centerline of mullion.

- 2 Determine soffit and floor applications.

B. Bottom Support – Floor Mounted

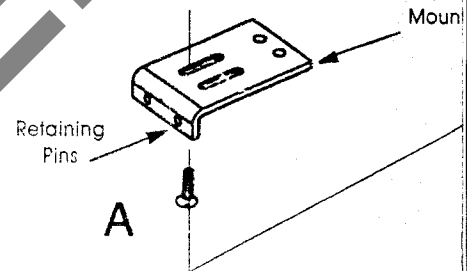
- 1 Using bottom mullion support as template, center support on marked line 1/16" from closed door with leg of mullion support opposite to door.
- 2 Spot and prepare (2) screw anchor holes.
- 3 Install screw anchors and bolt mullion support to floor.

C. Top support – Rabbetted Frame (Figure 1)

- 1 Using Top Mullion mounting bracket or marking template, center with mark on soffit and flush with door side of stop.
- 2 Spot and prepare 4 holes A and B as noted on template. Note: Angle bracket or block may be required. Drill 3/16" hole and tap 12-24 thread.
- 3 Install mounting bracket to soffit in holes A, with angle bracket or block if required.
- 4 Assemble Cylinder in top support. (See Figure 2) Follow sequence.
- 5 Slide mullion support over retaining pins and secure with screws in holes B.

D. Installing Mullion (Figure 3)

- 1 To determine mullion length, measure distance from finished floor to surface upon which Top Mullion Support is mounted. Subtract (–) 3" for KRM 100 (without mullion pad) or (–) 3 1/2" for KRM 100F (with pad). Cut to this dimension on end opposite slots after checking to see that length is marked correctly.
- 2 Install 1/2" thick fusible mullion pad onto Bottom Mullion Support, if required, for fire rated installation.
- 3 Install mullion into supports, shim if required for correct Deadlock Function, and tighten bottom set screw.
- 4 Check cylinder operation for removing mullion.
- 5 If retrofitting to an existing installation, strike location and mounting holes will have to be moved. (See Device Instruction)



Mullion
M100 or M100 F

Note –
Cut this end only

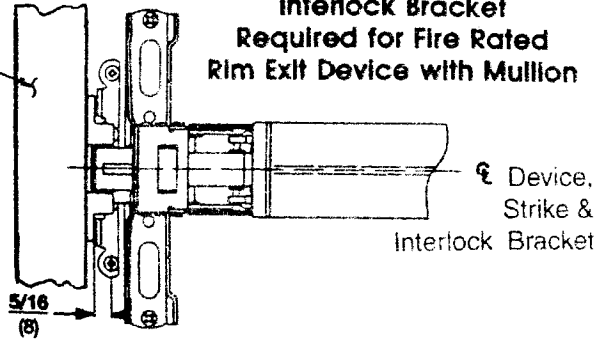
(2) 1/4 - 20 x 1-3/4" R.H.M.S

(2) Flat Lock Washer

Leg

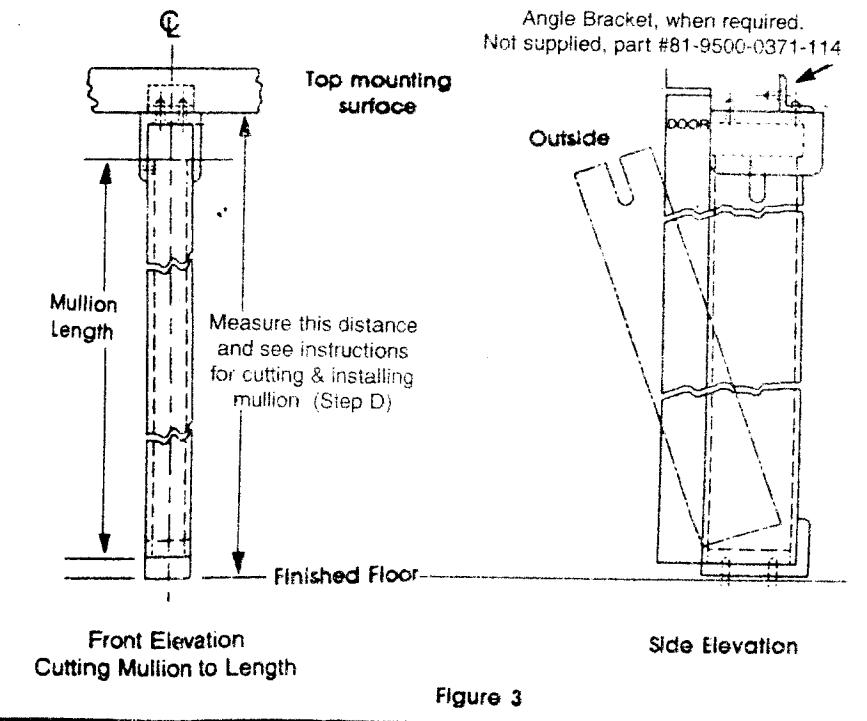
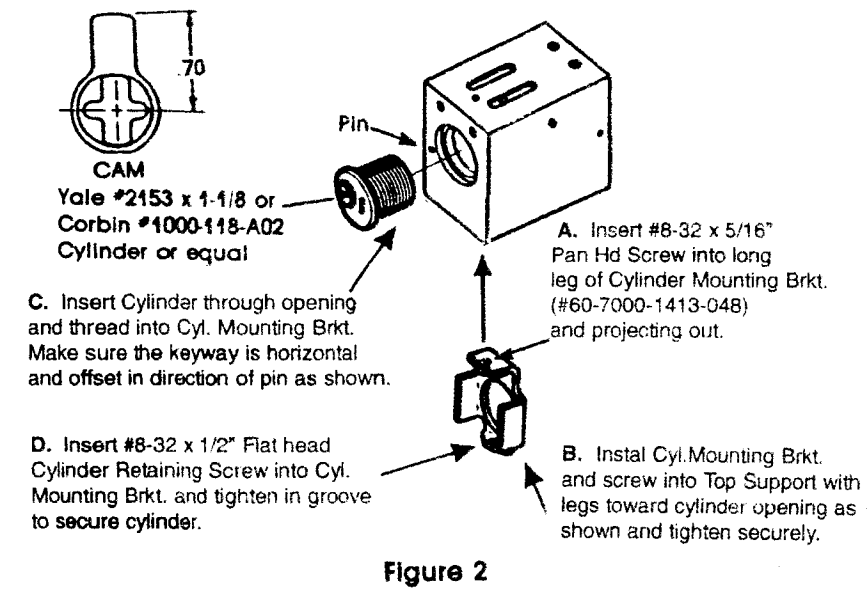
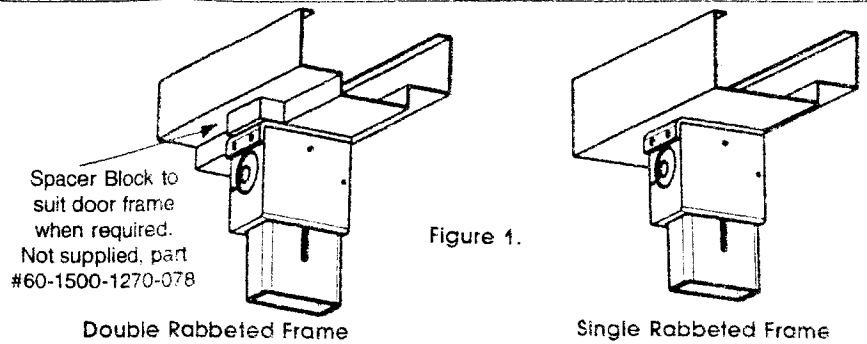
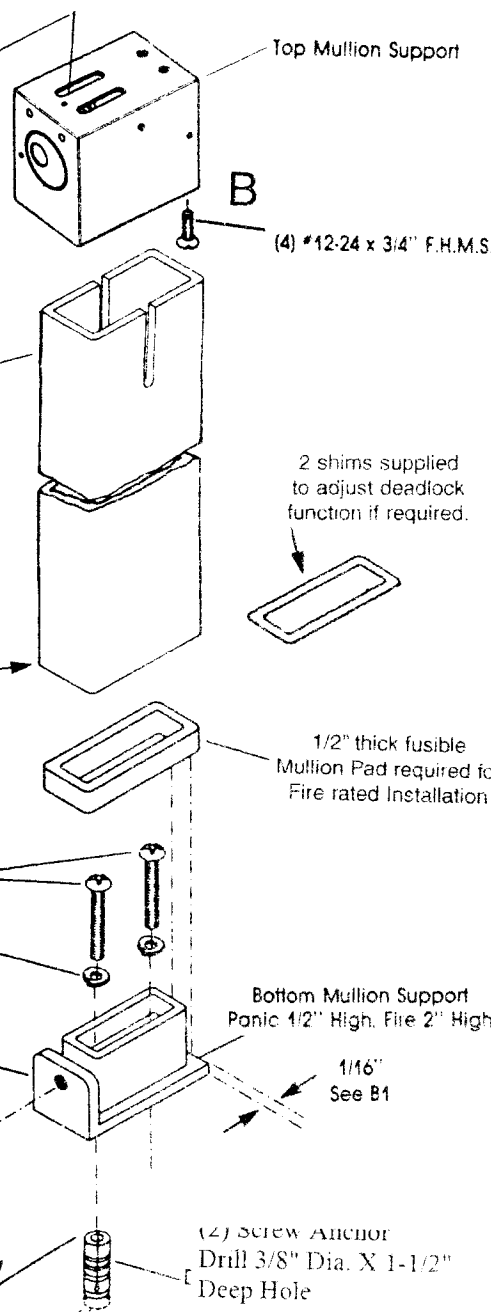
Set Screw
5/16-18 x 1/2

**Interlock Bracket
Required for Fire Rated
Rim Exit Device with Mullion**



Interlock bracket in place, as shown. Locate bracket holes. Mark bracket mounting holes. Mount interlock bracket (MS or SNB).

ing Bracket



**KRM-100, KRM-100F, KM(Quick Code),
and KRM-150F, KRM700A Retrofit Kit
Installation Instructions**
80-7401-0150-000 (Rev. C 11/98)