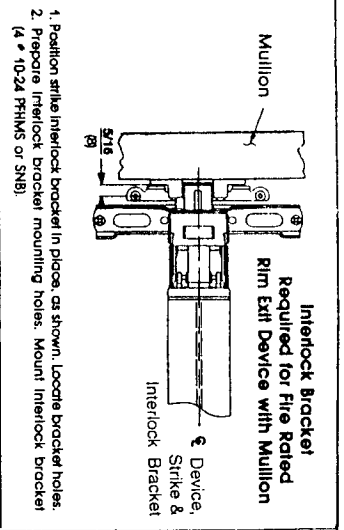
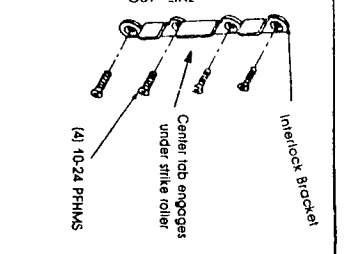


Marking Template



1. Position strike interlock bracket in place, as shown. Locate bracket holes.
2. Prepare interlock bracket mounting holes. Mount interlock bracket.

A. Installation Sequence

1. Close both doors. Find Centerline between both doors and markline perpendicular to doors on soffit or header. Drop plumb line to floor and mark line on floor perpendicular to doors. This is the centerline of mullion.
2. Determine soffit and floor applications.

B. Bottom Support - Floor Mounted

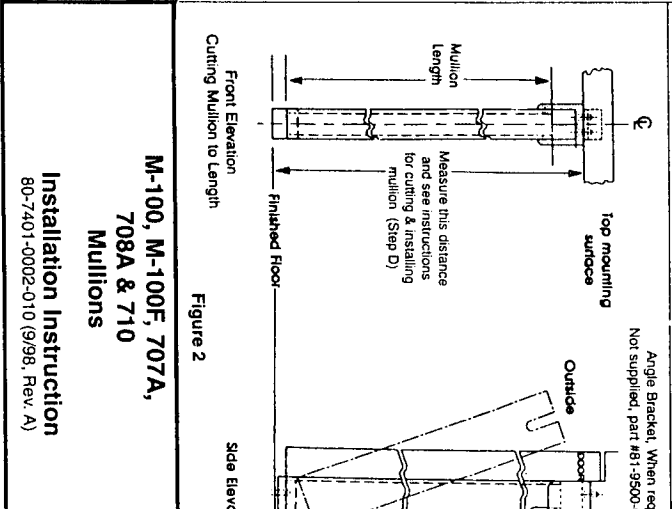
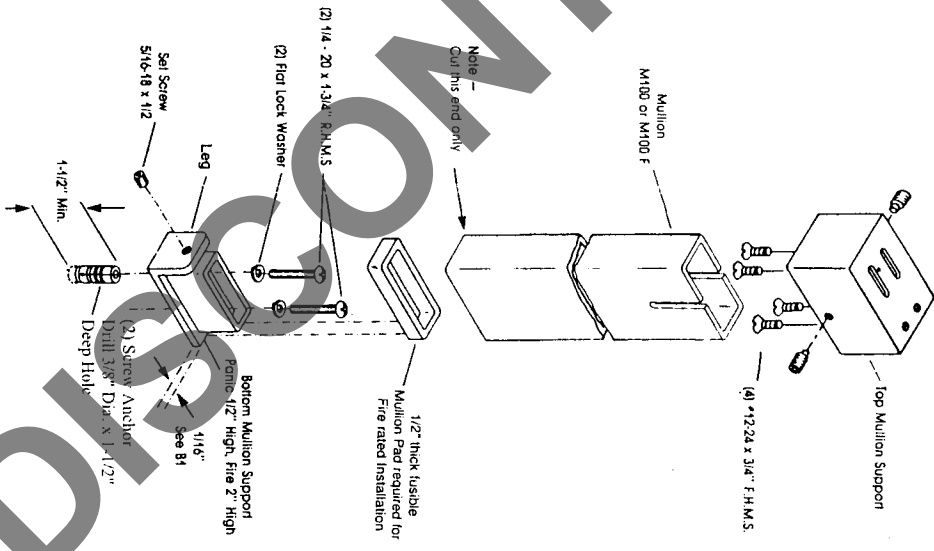
1. Using bottom mullion support as templates, center support on marked line 1/8" from closed door with leg on mullion support opposite to door.
2. Spot and prepare (2) screw anchor holes.
3. Install screw anchors and bolt mullion support to floor.

C. Top support - Rabbetted Frame (Figure 1)

1. Using Top Mullion Support or marking template, center with mark on soffit and flush with door side of stop.
2. Spot and prepare 4 holes as noted on template.
Note: Angle bracket or block may be required.
Drill: 3/16" hole and tap 1/2-24 thread.
3. Install mounting bracket to soffit with angle bracket or block if required.

D. Installing Mullion (Figure 2)

1. To determine mullion length, measure distance from finished floor to surface upon which Top Mullion Support is mounted. Subtract (-) 1 1/2" for M 100 (without mullion pad) or (-) 2" for M 100F (with pad). Cut to this dimension on end opposite slots after checking to see that length is marked correctly.
2. Install 1/2" thick fusible mullion pad onto Bottom Mullion Support, if required, for fire rated installation.
3. Install mullion into supports.
Tighten bottom set screw and 2 top set screws.



Installation Instruction
80-7401-0002-010 (9/98, Rev A)

**M-100, M-100F, 707A,
708A & 710
Mullions**

DISCONTINUED