



CAUTION
An incorrectly installed or improperly adjusted door closer can cause property damage or personal injury. These instructions should be followed to avoid the possibility of misapplication or misadjustment.

Power Track® Series
Master Unit – PTDO (with detector)
Support Unit - PTO (without detector)

Installation Instructions

80-9344-0716-010 (07-10)

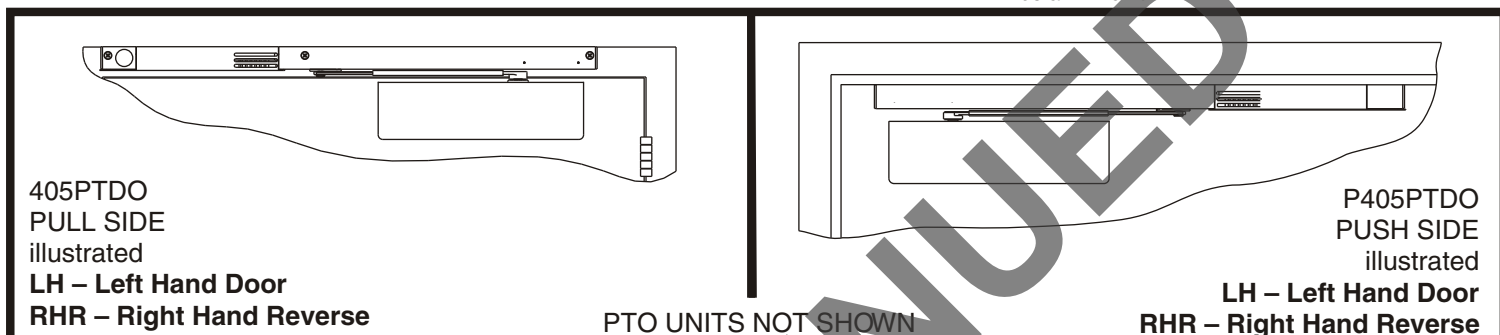
Combination Door Closer-Holder and Releasing Device WITH and WITHOUT Integral Smoke Detector

Models

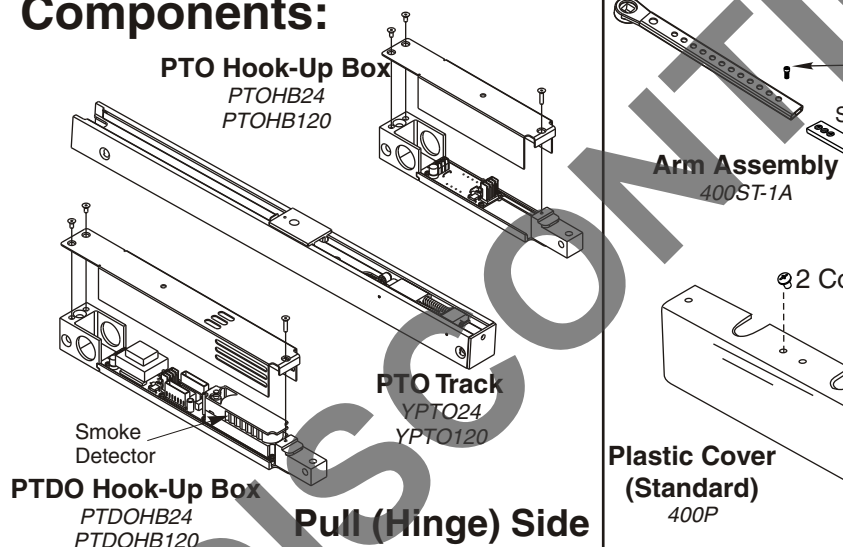
Hinge (Pull) Side of Door Application Stop (Push) Side of Door Application

405PTDO **P405PTDO**
405PTO **P405PTO**

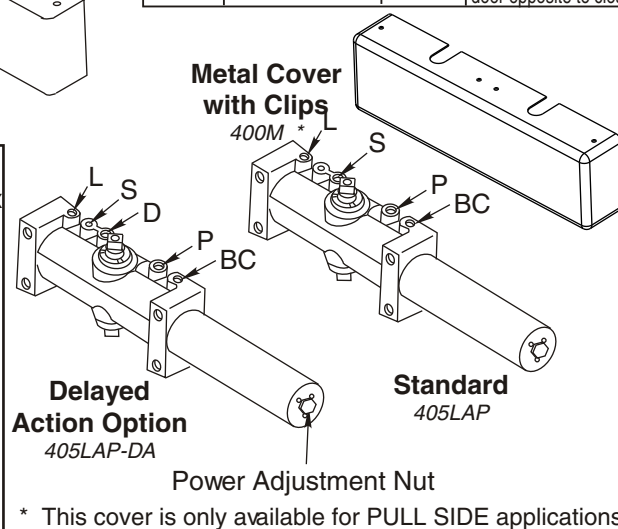
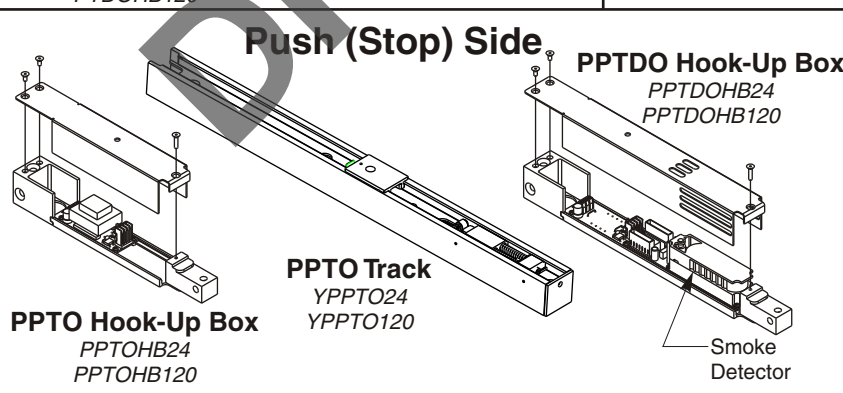
NOTES: - For wiring of PTDO models, see "PowerTrack®" "Wiring Instructions" No. 80-9342-0902-021 (01-09)
- When used with a PTDO model, PTO unit must be a 24V unit



Components:



Preparation for Fasteners			
	Fasteners	Door or Frame	Drill-Sizes
Standard	Self-Drilling Screw	Aluminum or Metal	No drill required
		Wood	3/16" (4.30 mm) Pilot hole required
	1/4" - 20 machine screw	Metal	Drill: #7 (0.201" dia.) Tap: 1/4" - 20
Optional	Sleeve nuts and bolts	Hollow Metal	9/32" (7 mm) through; 3/8" (9.5 mm) door face opposite to closer
		Aluminum or Wood	3/8" (9.5 mm) through
	Through-bolts and grommet-nuts	All	9/32" (7 mm); 3/8" (9.5 mm) dia. x 3/8" (9.5 mm) deep on door opposite to closer



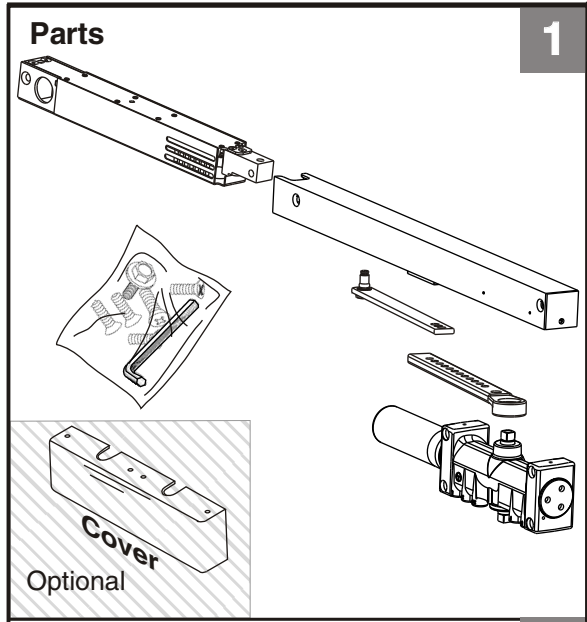
NOTE:

- For special applications a separate door and frame preparation template is packed with these instructions.
- Use this instruction sheet for installation sequence and closer adjustments only.
- Use of an auxiliary door stop is always recommended.
- Unit must be mounted on interior of building in dry environment, maximum humidity of 95%.
- See NFPA70 for wiring requirements and NFPA72 for alarm system requirements.

405PTO/405PTDO Series

Hinge (Pull) Side Application

80-9344-0716-010 (07-10)



2 Mark and Drill Holes

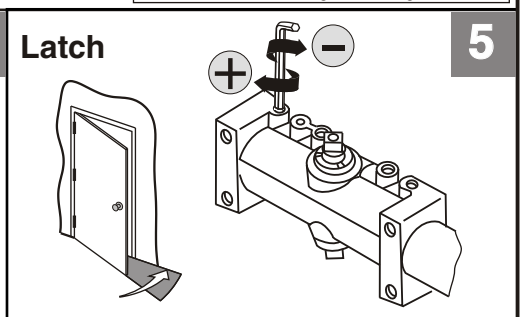
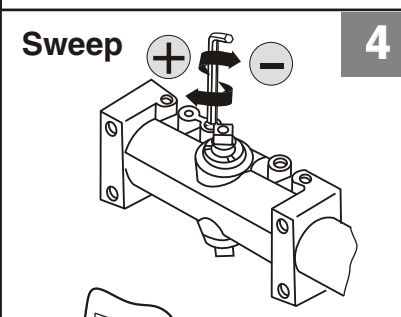
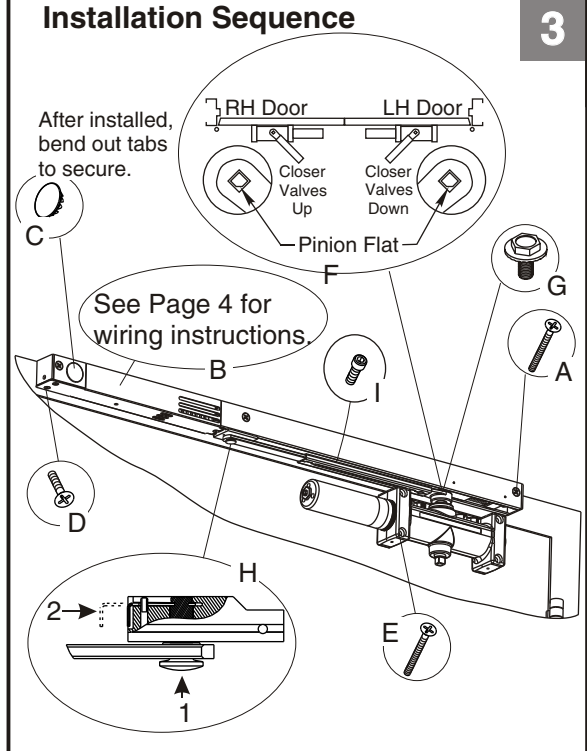
Right Hand Shown

7/8 (22) Conduit hole for concealed wiring only

Power Track	Dim. "A"	Dim. "B"
PTO	$\frac{31-1/16}{(788)}$	$\frac{32-1/8}{(816)}$
PTDO	$\frac{34-11/16}{(881)}$	$\frac{35-3/4}{(908)}$

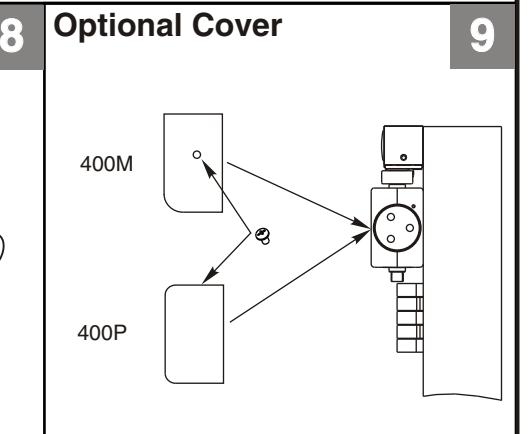
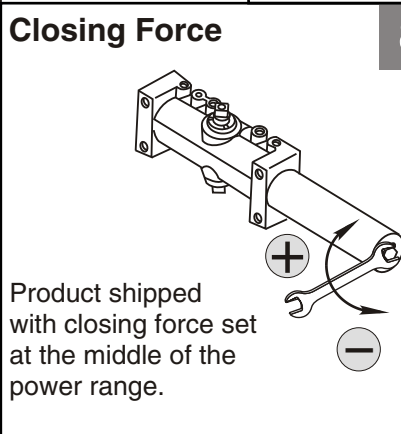
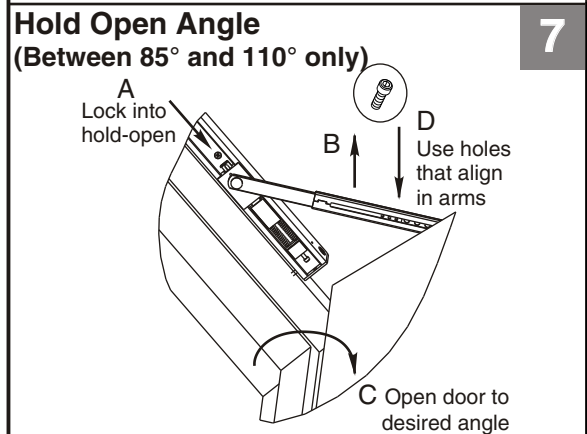
Preparation for Fasteners		
Fasteners	Door or Frame	Drill Sizes
Self-Drilling Screw	Aluminum or Metal	No drill required
	Wood (see Note)	3-16" (4.3mm)
1/4"-20 machine screw	Metal	Drill #7 (.201" dia) Tap 1/4"-20

Note: Wood doors/frames **MUST** have pilot hole when using Self-Drilling Screws.



6 Backcheck

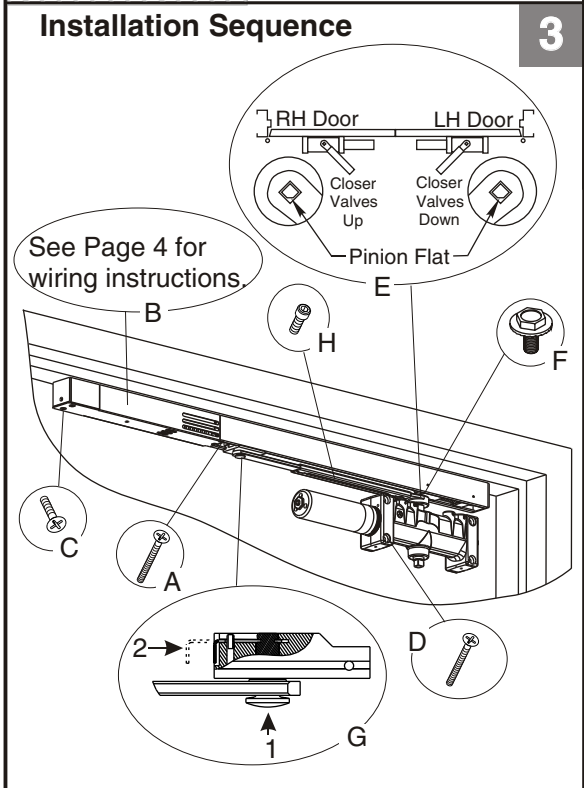
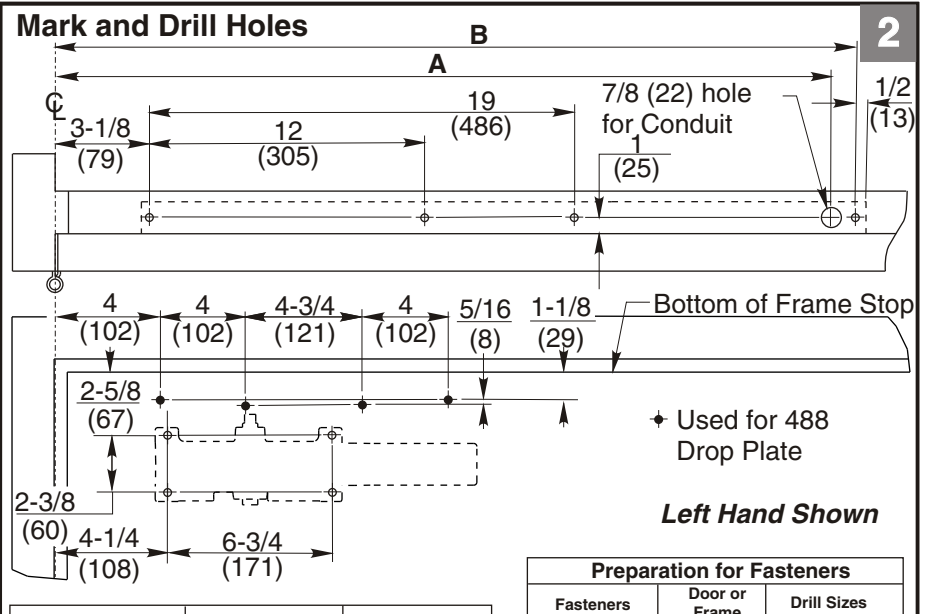
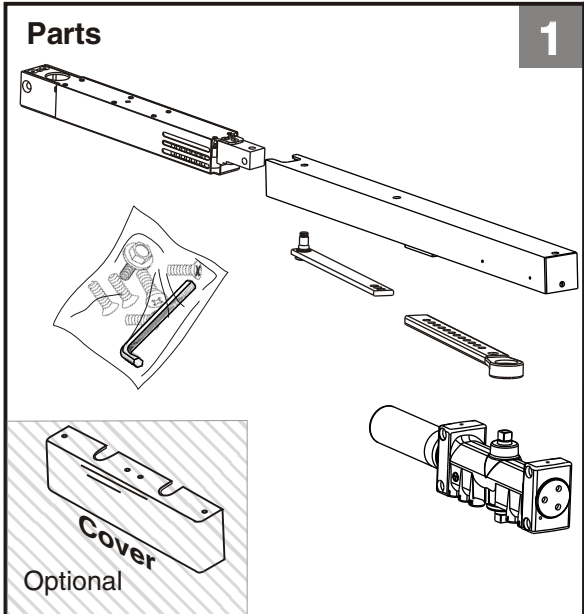
Caution: Don't completely close cushion valve



P405PTO/P405PTDO Series

Stop (Push)
Side Application

80-9344-0716-010 (07-10)

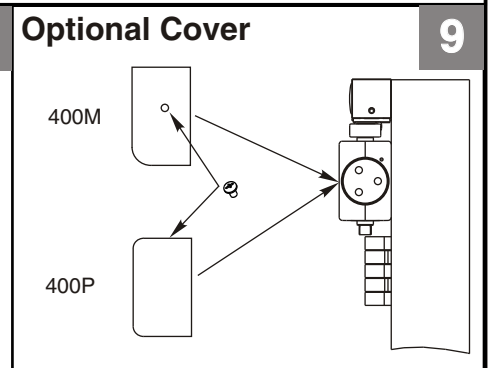
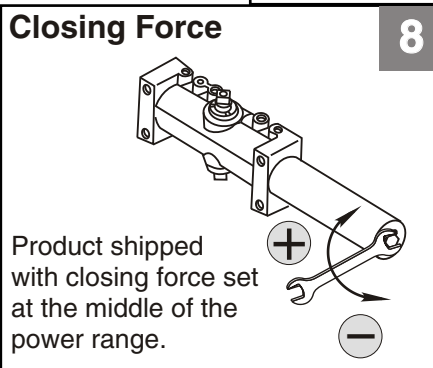
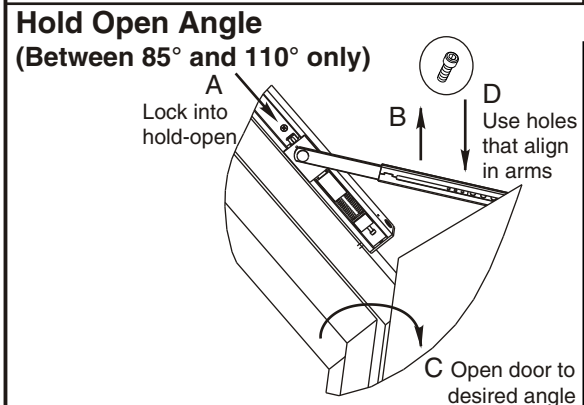
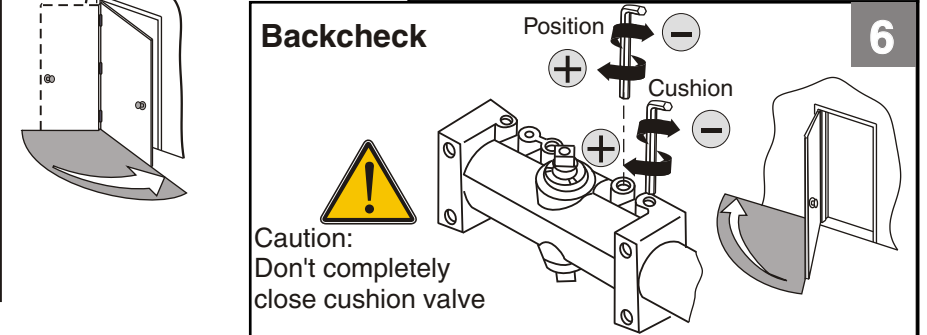
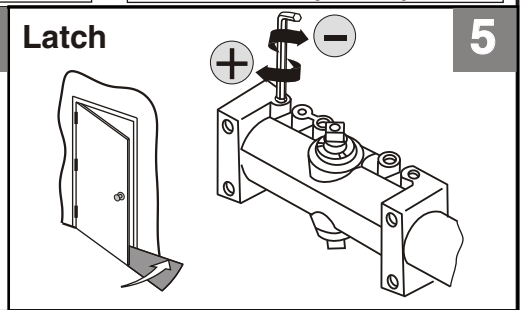
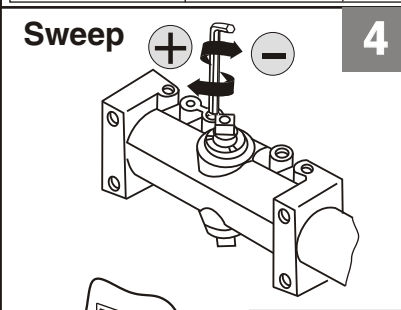


Power Track	Dim. "A"	Dim. "B"
PTO	$\frac{30-9}{16}$ (776)	$\frac{31-11}{16}$ (805)
PTDO	$\frac{34-3}{16}$ (868)	$\frac{35-5}{16}$ (897)

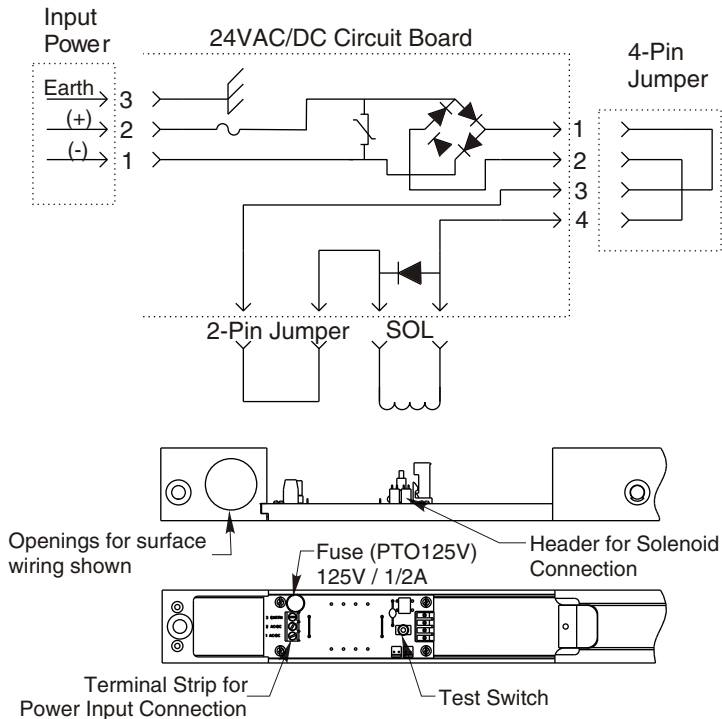
Preparation for Fasteners

Fasteners	Door or Frame	Drill Sizes
Self-Drilling Screw	Aluminum or Metal	No drill required
	Wood (see Note)	3-16" (4.3mm)
1/4"-20 machine screw	Metal	Drill #7 (.201" dia) Tap 1/4"-20

Note: Wood doors/frames **MUST** have pilot hole when using Self-Drilling Screws.

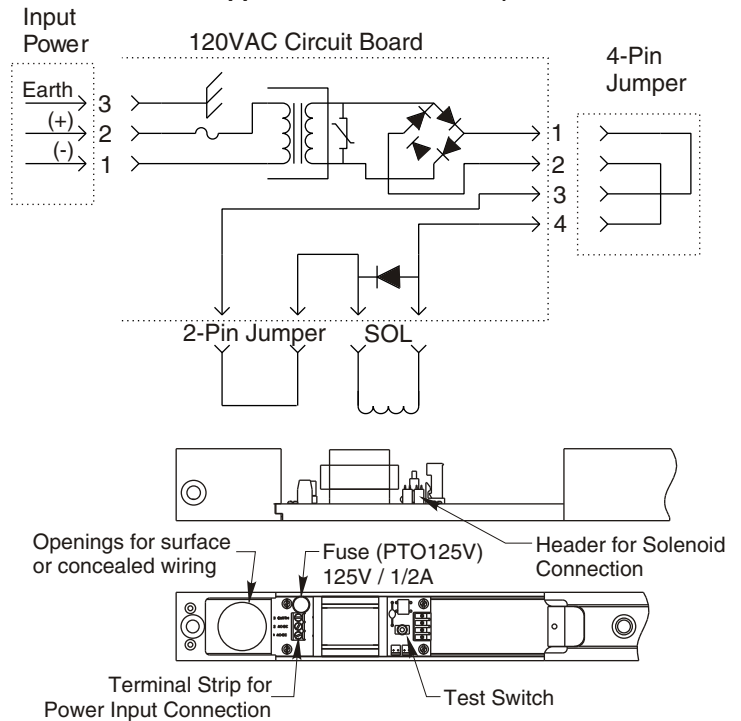


PTO Support Unit Wiring Diagram (24VAC/DC Input)



PTO Support Unit Wiring Diagram (120VAC Input)

(Do not use a 120VAC PTO unit when power is supplied from a PTDO unit)



For PTDO Models:

Refer to Wiring Instructions No. 80-9342-0902-021 (01-09) for making wiring connections.

ELECTRICAL DATA

	120VAC	24VAC	24VDC	Detector
Voltage	120V 132V Max 102V Min	24V 26.4V Max 20.4V Min	24V 26.4V Max 20.4V Min	24V 26.4V Max 20.4V Min
Current	.036 Amps	.059 Amps	.074 Amps	0.034 Amps

NOTES:

- Maximum wire size is 14AWG.
- All wiring and connections use standard wiring practice conforming with local wiring codes.

IMPORTANT:

After making all wiring connections:

- Turn power to unit "ON". (On Master (PTDO) unit only, red LED should illuminate once every 15 sec.).
- Open door to hold-open position. Manually pull door out of hold-open and release...door should close. If arm does not release from hold-open, increase the releasing force by turning the screw accessible thru the end cap of the track using the 9/64" hex wrench provided.
- Again, open door to the hold-open position. Depress "Test Switch" button on the hook-up board (accessible through cover)...door should close. If arm does not release, see previous step.

Installation of Cover:

- **Plastic Cover (400P):** Slide cover insert into the un-used cutout in cover. Install cover using screws provided.
- **Metal Cover (400M):** Fasten cover to mounting clips with screws provided.

Yale® and PowerTrack® are registered trademarks of Yale Security Inc., an ASSA ABLOY Group company. These materials are protected under U.S. Copyright laws. Copyright © 2009, 2010, Yale Security Inc., ASSA ABLOY Group company. All rights reserved. Reproduction in whole or in part without the express written permission of Yale Security Inc. is prohibited.



3000 Highway 74 East • Monroe, NC 28112
Tel: (800)-438-1951 • Fax: (800)-338-0965
www.yalecommercial.com