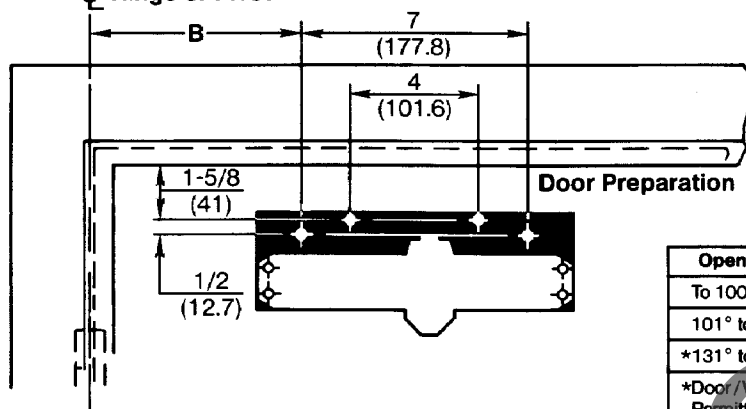


Hinge or Pivot

Frame Preparation



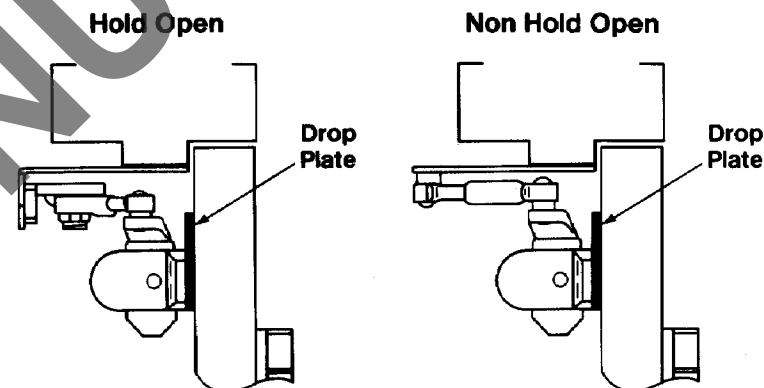
Door Preparation

**Notes:**

- Do not scale drawing.
- Left hand door shown.
- Dimensions are in inches and millimeters.

Opening	Dim. A	Dim. B
To 100°	9-1/4 (235)	8-5/8 (219)
101° to 130°	7-3/4 (197)	7-1/8 (181)
*131° to 180°	5-3/4 (146)	5-1/8 (130)

\*Door/Wall/Hardware Conditions Permitting.



Hold Open Arms without Fusible-Link Release are not permitted to be used on fire doors.

Door swing may be limited by door, frame, wall or hardware conditions.

Hollow-metal doors require channel or box-type reinforcement when thru-bolt mount is specified.

Sex-bolts may be required for wood or plastic faced fire door mounting.

Minimum thickness recommended for reinforcements in hollow-metal doors and frames: .1046" (2.66mm.) unless otherwise noted.

Fastener Chart			
Standard	Fasteners	Door or Frame	Drill Sizes
		1/4-20 Combination Screw	Metal #7(.201"dia.) tap: 1/4-20 Wood 7/32"(5.54mm.)
Optional	Sex nuts and bolts	Hollow Metal	9/32"(7.00mm.) through 3/8"(9.5mm.) door face opposite to closer
		Aluminum or Wood	3/8"(9.50mm.) through
	Through bolts and grommet nuts	All	9/32"(7.00mm.) through 3/8"(9.50mm.) dia. x 3/8"(10mm.) deep, door face opposite to closer

**PA2300 Series Non Hold Open Door Closer**

**PA2310 Series Hold Open Door Closers**

**Parallel Arm Application Using 2388 Drop Plate**

Closer Sizes 2, 3, 4 and 5

**Yale**

Yale Commercial Locks and Hardware

www.yalecommercial.com

80-7323-0111-010

6-97