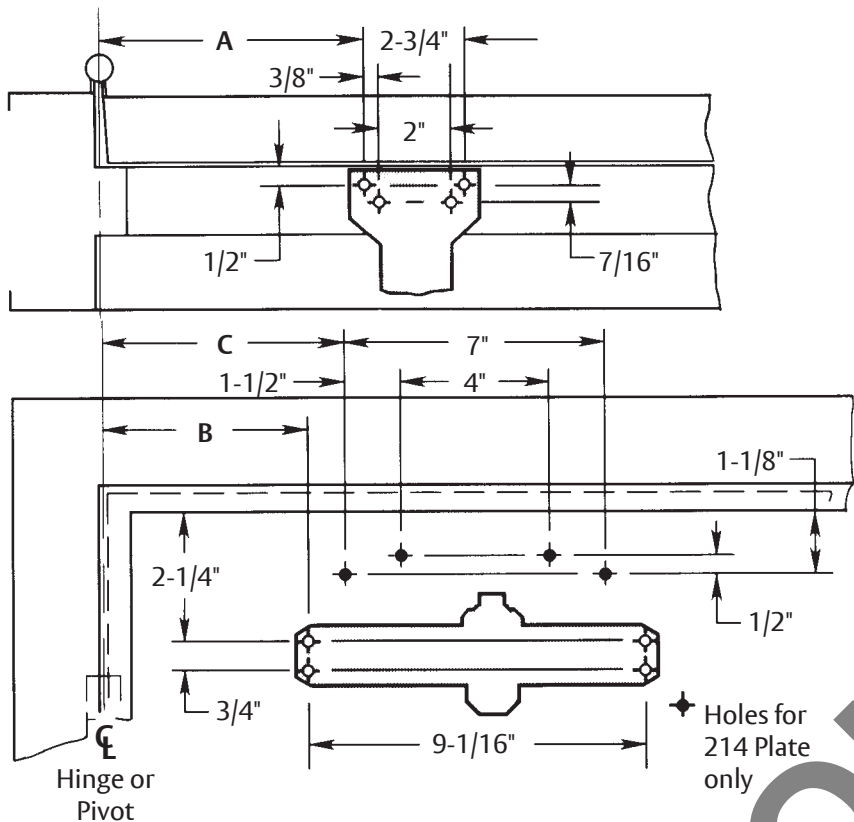


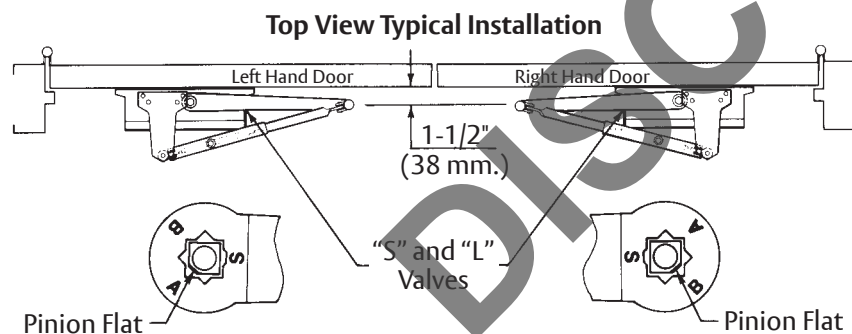
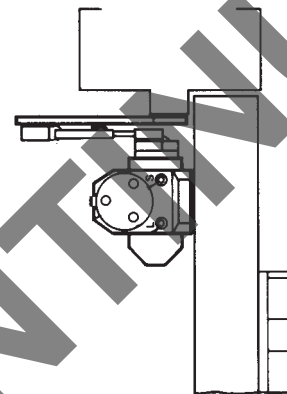
Notes:

1. Do not scale drawing
2. Left hand door shown.
3. Dimensions are in inches. See conversion chart for metric dimensions.
4. Minimum top rail with 5/8" (16 mm.) frame stop is 4" (102 mm.)
5. Door swing may be limited by door, frame, wall or hardware conditions.
6. Hollow metal doors require channel or box type reinforcement when thru bolt mount is specified.
7. Sex bolts may be required for wood or plastic faced fire door mounting.
8. Minimum thickness recommended for reinforcements in hollow metal doors and frames:
.1046" (2.66 mm.) unless otherwise noted.



Opening	Dim. A	Dim. B	Dim. C
To 100°	9-1/4	7-5/8	8-5/8
101° to 130°	7-3/4	6-1/8	7-1/8
131° to 180°	5-3/4	4-1/8	5-1/8

inches	mm.	inches	mm.	inches	mm.	inches	mm.
		1-1/2"	38.1	5-1/8"	130	7-3/4"	197
3/8"	9.5	2"	50.8	5-3/4"	146	8-5/8"	219
7/16"	11.1	2-1/4"	57.1	6-1/8"	156	9-1/16"	230.2
1/2"	12.7	2-3/4"	69.9	7"	177.8	9-1/4"	235
3/4"	19.1	4"	101.6	7-1/8"	181		
1-1/8"	28.5	4-1/8"	105	7-5/8"	194		



Preparation for Fasteners		
Fasteners	Door or Frame	Drill
#14 type "A" Sheet Metal Screw	Wood	7/32" (5.5 mm.)
1/4-20 machine screw	Metal	#7 (.201" dia.) or 5.10 mm. drill tap: 1/4-20
SNB (optional)	Hollow Metal	9/32" (7.00 mm.) thru; 3/8" (9.50 mm.) door face opposite to closer
	Aluminum or Wood	3/8" (9.50 mm.) thru
TBGN (optional)	All	9/32" (7.00 mm.) thru; 3/8" (9.50 mm.) dia. x 3/8" (10 mm.) deep, door face opposite to closer

Experience a safer and more open world

Copyright © 1998, 2023, ASSA ABLOY Access and Egress Hardware Group, Inc. All rights reserved. Reproduction in whole or in part without the express written permission of ASSA ABLOY Access and Egress Hardware Group, Inc. is prohibited.

(PA)250 Series Door Closers with Low Profile Arm
 Aprallel Arm Application with or without 214 Drop Plate
 Non Hold Open Arm
 Closer Sizes 1, 1BF, 2, 3, 4, 5, or 6

Template Number:
7350-1206
 Sheet: 1 of 1
 Date: 12/23

ASSA ABLOY

1-800-438-1951
www.assaabloy.com