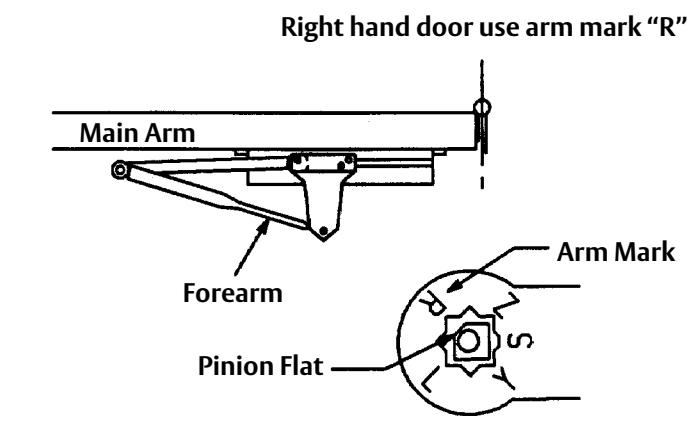
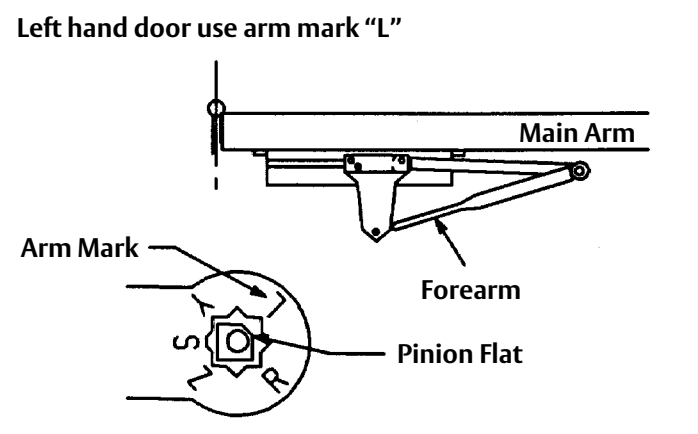


✦ Prepare these holes only when Drop Plate 3148 is used

Position of Arm Mark and Pinion Flat



- Do not scale drawing.
- Left hand door shown.
- Dimensions are in inches / (mm).
- Hollow metal doors require channel or box type reinforcement when thru bolt mount is specified.
- Sex bolts may be required for wood or plastic faced fire door mounting.
- Minimum thickness recommended for reinforcements in hollow metal doors and frames: 0.1046" (2.66mm) unless otherwise noted.

Experience a safer and more open world

Copyright © 2003, 2023, ASSA ABLOY Access and Egress Hardware Group, Inc. All rights reserved. Reproduction in whole or in part without the express written permission of ASSA ABLOY Access and Egress Hardware Group, Inc. is prohibited.

PA3000 Series Door Closer with 589L Bracket and With or Without 3148 Drop Plate
 Parallel Non Hold Open Arm Application
 PA3100, PA3300, and PA3500-Sizes 1 Thru 6

Template Number: 7303-0203
 Sheet: 1 of 1
 Date: 12/23

ASSA ABLOY

1-855-557-5078
 www.assaabloy.com