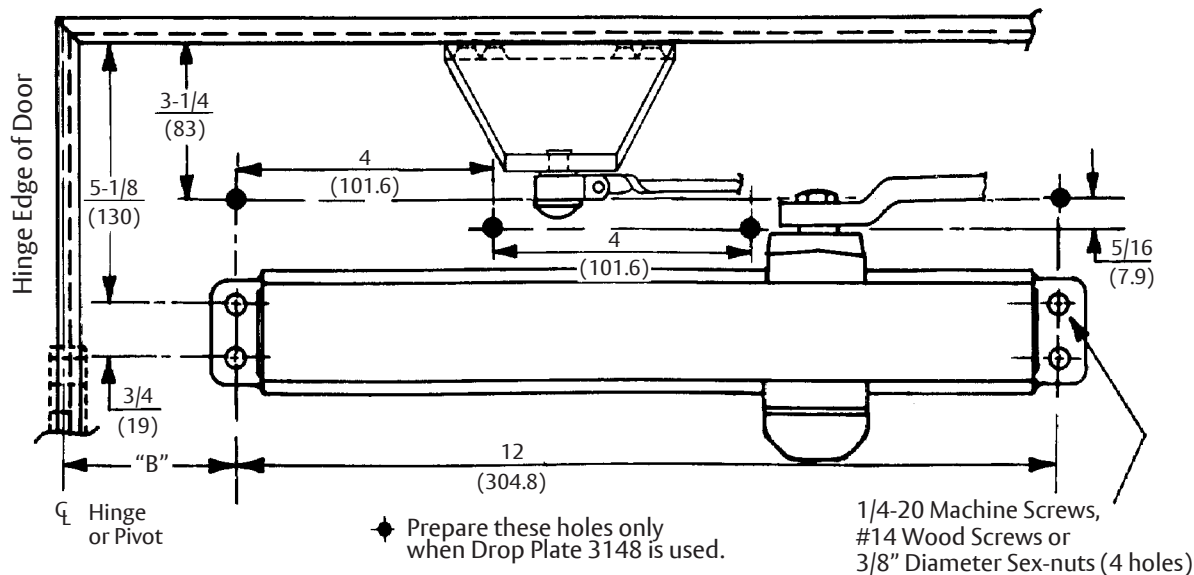
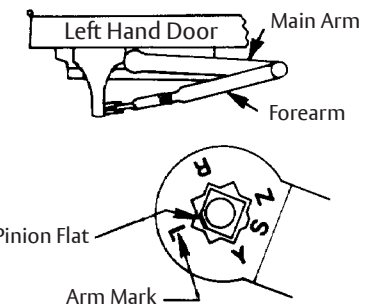
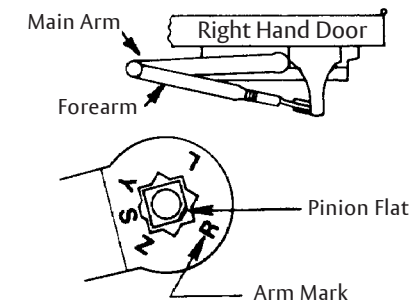


Opening	Dim. "A"		Dim. "B"	
	inches	mm	inches	mm
To 120°	9-1/2	241	3-3/4	95
Over 120°*	7	178	1-1/4	32

* Door openings to 180° conditions permitting



Position of Arm Mark and Pinion Flat



- Do not scale drawing.
- Left hand door shown.
- Dimensions are in inches (mm).
- Hollow metal doors require channel or box type reinforcement when thru bolt mount is specified.
- Sex bolt may be required for wood or plastic faced fire door mounting.
- Minimum thickness recommended for reinforcements in hollow metal doors and frames: 0.1046 (2.66mm) unless otherwise noted.

Experience a safer and more open world

Copyright © 2003, 2023, ASSA ABLOY Access and Egress Hardware Group, Inc. All rights reserved. Reproduction in whole or in part without the express written permission of ASSA ABLOY Access and Egress Hardware Group, Inc. is prohibited.

PA3000 Series Door Closer with 290 Bracket
and with or without 3148 Drop Plate
Parallel Non Hold Open Arm with Offset Plate Application
Series PA3100, PA3300, and PA3500
Individually Sized Units 2 thru 6 and Multi-size Units 1 & 1BF

Template Number:
7303-0207
Sheet: 1 of 1
Date: 12/23

ASSA ABLOY
1-855-557-5078
www.assaabloy.com