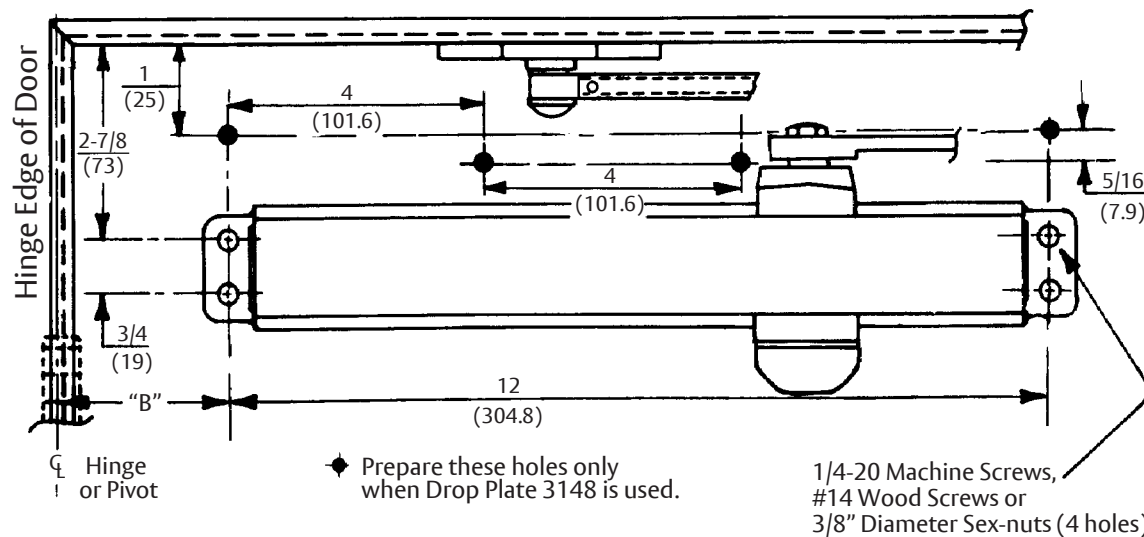
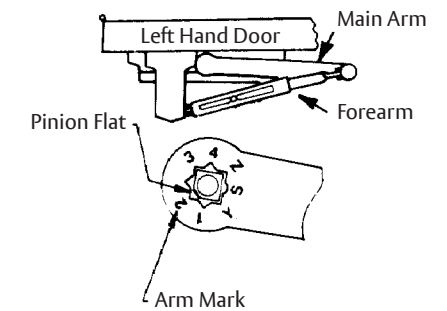
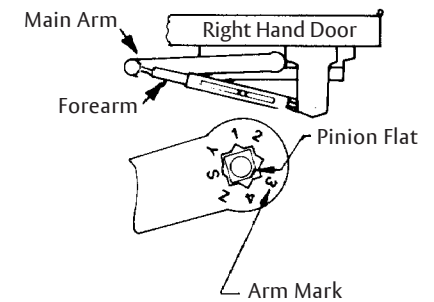


| Opening    | Dim. "A" |     | Dim. "B" |    |
|------------|----------|-----|----------|----|
|            | inches   | mm  | inches   | mm |
| To 120°    | 9-1/2    | 241 | 3-3/4    | 95 |
| Over 120°* | 7        | 178 | 1-1/4    | 32 |

\* Door openings to 180° conditions permitting



### Position of Arm Mark and Pinion Flat



- Do not scale drawing.
- Left hand door shown.
- Dimensions are in inches (mm).
- Hollow metal doors require channel or box type reinforcement when thru bolt mount is specified.
- Sex bolts may be required for wood or plastic faced fire door mounting.
- Minimum thickness recommended for reinforcements in hollow metal doors and frames: 0.1046 (2.66mm) unless otherwise noted.

Experience a safer  
and more open world

Copyright © 2003, 2023, ASSA ABLOY Access and Egress Hardware Group, Inc. All rights reserved. Reproduction in whole or in part without the express written permission of ASSA ABLOY Access and Egress Hardware Group, Inc. is prohibited.

PA3080 Series Door Closer for Narrow Stile Door  
with or without 3148 Drop Plate  
Parallel Non Hold Open Low Profile Arm Application  
Series PA3180, PA3380, and PA3580  
Individually Sized Units 2 thru 6 and Multi-size Units 1 & 1BF

Template Number:  
7303-0209  
Sheet: 1 of 1  
Date: 12/23

**ASSA ABLOY**

1-855-557-5078  
www.assaabloy.com