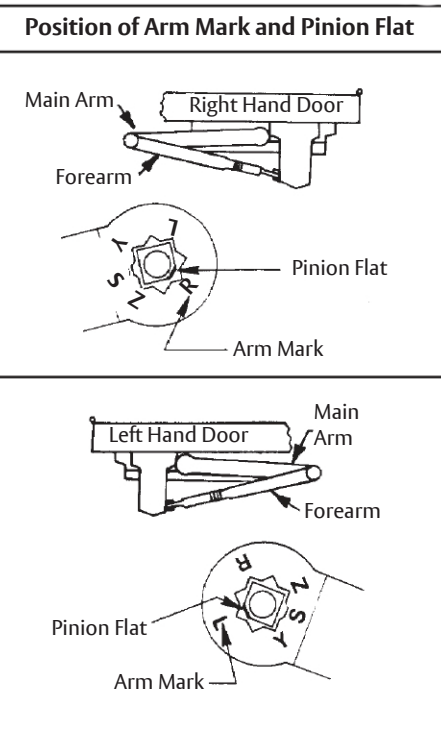
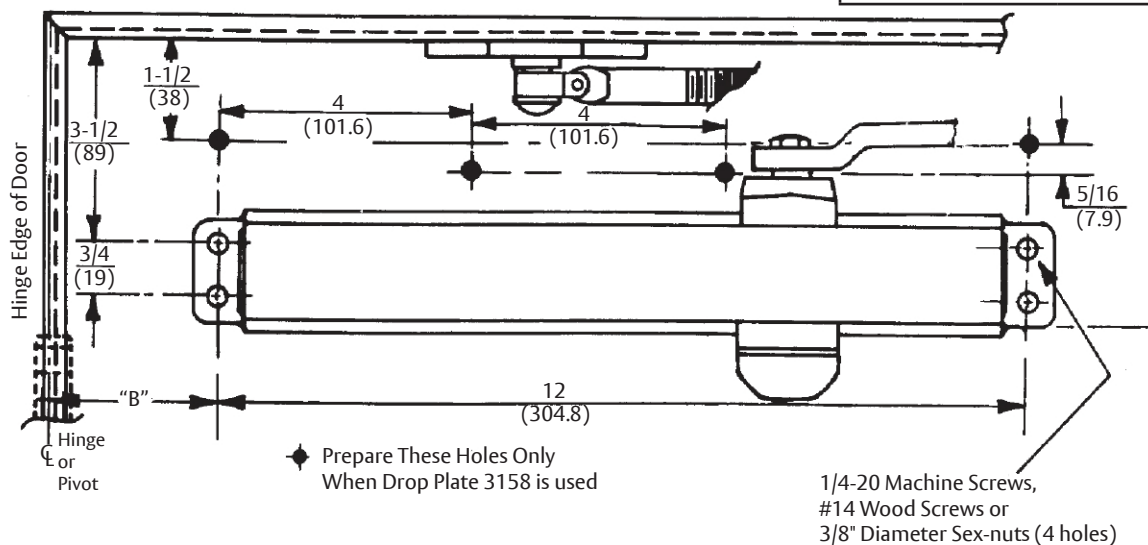


Opening	Dimension "A"		Dimension "B"	
	Inches	mm	Inches	mm
To 120°	9-1/2	241	3-3/4	95
Over 120°	7	178	1-1/4	32

*Door openings to 180° conditions permitting



- Do not scale drawing.
- Left hand door shown.
- Dimensions are in inches (mm) unless otherwise noted.
- Hollow metal doors require channel or box type reinforcement when thru bolt mount is specified.
- Sex bolts may be required for wood or plastic faced fire door mounting.
- Minimum thickness recommended for reinforcements in hollow metal doors and frames: .1046" (2.66mm) unless otherwise noted.

Experience a safer
and more open world

Copyright © 2010, 2024, ASSA ABLOY Access and Egress Hardware Group, Inc. All rights reserved. Reproduction in whole or in part without the express written permission of ASSA ABLOY Access and Egress Hardware Group, Inc. is prohibited.

PA3000 Series Door Closers With or Without 3158 Drop
Plate Parallel Non Hold Open Arm Application
Series PA3100, PA3300, and PA3500
Sized and Multi-size Units

Template Number:
7303-0201
Sheet: 1 of 1
Date: 01/24

ASSA ABLOY

1-855-557-5078
www.assaabloy.com