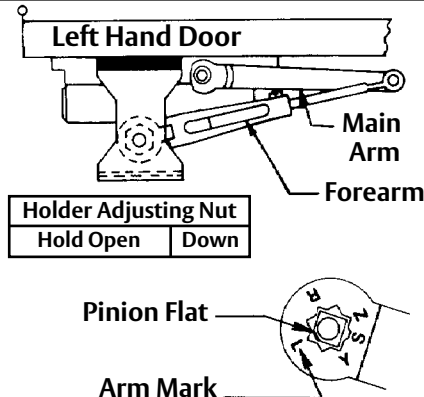
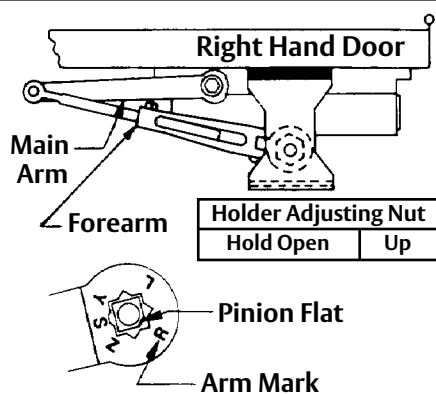


● Prepare these holes when 3148 Drop Plate is used

Opening	Dim. "A"		Dim. "B"	
	inches	mm	inches	mm
To 120°	9-5/8	244	3-3/4	95
*Over 120°	7-1/8	181	1-1/4	32

* Door openings to 180° conditions permitting

Position of Arm and Pinion Flat



- Do not scale drawing.
- Left hand door shown.
- Dimensions are in inches / (mm).
- Hollow metal doors require channel or box type reinforcement when thru bolt mount is specified.
- Sex bolts may be required for wood or plastic faced fire door mounting.
- Minimum thickness recommended for reinforcements in hollow metal doors and frames: 0.1046" (2.66mm) unless otherwise noted.
- Hold Open Arms are not permitted to be used on fire doors.

Experience a safer and more open world

Copyright © 2003, 2023, ASSA ABLOY Access and Egress Hardware Group, Inc. All rights reserved. Reproduction in whole or in part without the express written permission of ASSA ABLOY Access and Egress Hardware Group, Inc. is prohibited.

PA3010 Series Door Closer with 589L & 588 Brackets and with or without 3148 Drop Plate
Parallel Arm Hold Open
Series PA3110, PA3310, and PA3510
Individually Sized Units 3, 4, 5, 6 and Multi-size Units 1 & 1BF

Template Number: 7303-0212
Sheet: 1 of 1
Date: 12/23

ASSA ABLOY

1-855-557-5078
www.assaabloy.com