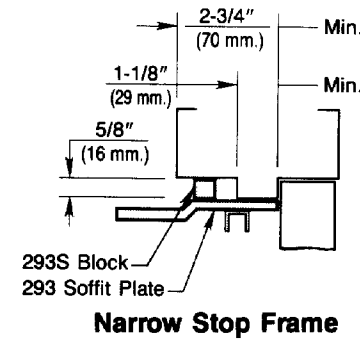
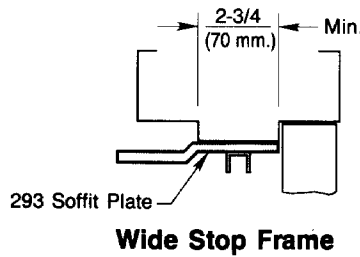


Opening	Dim. A	Dim. B	Dim. C
To 100°	9-5/8	7-5/8	8-5/8
101° to 130°	8-1/8	6-1/8	7-1/8
131° to 180°	6-1/8	4-1/8	5-1/8

inches	mm.	inches	mm.	inches	mm.
		1-5/8	41	7	177.8
3/8	9.5	2	50.8	7-1/8	181
7/16	11.1	2-1/16	52.4	7-5/8	194
1/2	12.7	2-3/4	69.9	8-1/8	206
3/4	19.1	4	101.6	8-5/8	219
1-3/8	34.9	4-1/8	105	9-1/16	230.2
1-1/2	38.1	5-1/8	130	9-5/8	244
		6-1/8	156		



Notes:

- Do not scale drawing.
- Left hand door shown.
- Dimensions are in inches. See conversion chart for metric dimensions.

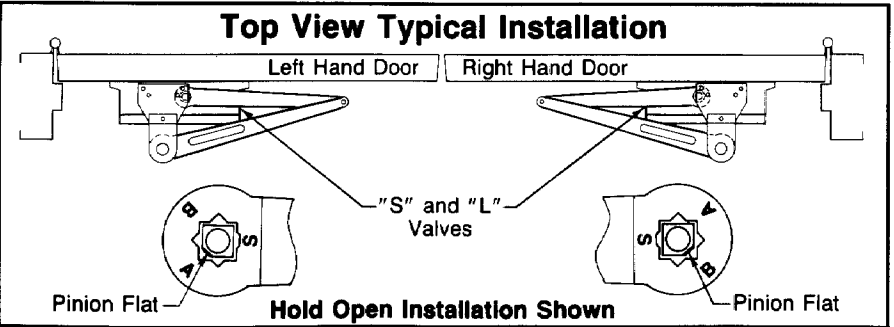
Hold Open Arm closers without fusible-link release are not permitted to be used on fire doors.

Door swing may be limited by door, frame, wall or hardware conditions.

Hollow-metal doors require channel or box-type reinforcement when thru-bolt mount is specified.

Sex-bolts may be required for wood or plastic faced fire-door mounting.

Minimum thickness recommended for reinforcements in hollow-metal doors and frames: .1046" (2.66mm.) unless otherwise noted.



Fastener	Frame	Door	Drill
#14 type "A" sheet metal screw	wood	none	7/32" (5.5mm)
1/4-20 machine screw	metal	none	#7 (.201 dia.) or 5.10mm. drill 1/4-20 tap
SNB	none	hollow metal	9/32" (7.00mm.) thru 3/8" (9.50mm.) door face opposite to closer
		aluminum or wood	3/8" (9.50mm.) thru

PR50 or PR150 Series Door Closers
Parallel Rigid Arm Application with or without 214 Drop Plate
Non Hold Open (50) or Hold Open (150)
Closer Sizes 1, 1BF, 2, 3, 4, 5, or 6

Yale
 Yale Commercial Locks and Hardware
 www.yalecommercial.com
 TEMPLATE NUMBER **80-7350-1252-010** DATE **8-01**