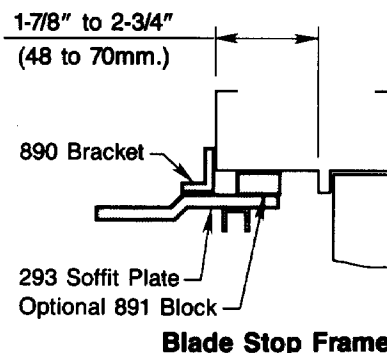
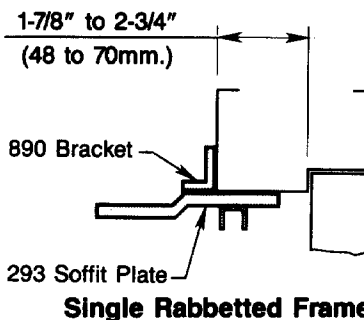


Opening	Dim. A	Dim. B	Dim. C
To 100°	9-5/8	7-5/8	8-5/8
101° to 130°	8-1/8	6-1/8	7-1/8
131° to 180°	6-1/8	4-1/8	5-1/8

inches	mm.	inches	mm.	inches	mm.
3/8	9.5	1-5/8	41	7	177.8
7/16	11.1	2	50.8	7-1/8	181
1/2	12.7	2-3/4	69.9	7-5/8	194
3/4	19.1	4	101.6	8-1/8	206
1	25	4-1/8	105	8-5/8	219
1-1/4	31.8	5-1/8	130	9-1/16	230.2
1-1/2	38.1	6-1/8	156	9-5/8	244



Notes:

- Do not scale drawing.
- Left hand door shown.
- Dimensions are in inches. See conversion chart for metric dimensions.

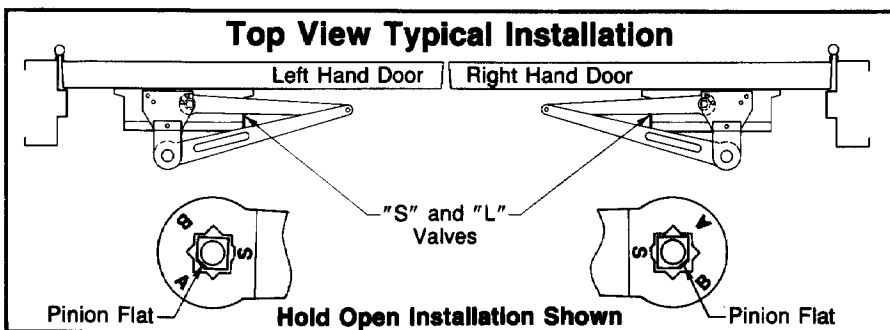
Hold Open Arm closers without fusible-link release are not permitted to be used on fire doors.

Door swing may be limited by door, frame, wall or hardware conditions.

Hollow-metal doors require channel or box-type reinforcement when thru-bolt mount is specified.

Sex-bolts may be required for wood or plastic faced fire-door mounting.

Minimum thickness recommended for reinforcements in hollow-metal doors and frames: .1046" (2.66mm.) unless otherwise noted.



Fastener	Frame	Door	Drill
#14 type "A" sheet metal screw	wood	none	7/32" (5.5mm)
1/4-20 machine screw	metal	none	#7 (.201 dia.) or 5.10mm. drill 1/4-20 tap
SNB	none	hollow metal	9/32" (7.00mm.) thru 3/8" (9.50mm.) door face opposite to closer
		aluminum or wood	3/8" (9.50mm.) thru

PR50 or PR150 Series Door Closers
Parallel Rigid Arm Application with 890 Reinforcing Bracket
and with or without 891 Spacer Block and/or 214 Drop Plate
Non Hold Open (50) or Hold Open (150)
Closer Sizes 1, 1BF, 2, 3, 4, 5, or 6

Yale
 Yale Commercial Locks and Hardware
 www.yalecommercial.com
 TEMPLATE NUMBER **80-7350-1254-010** DATE **8-01**