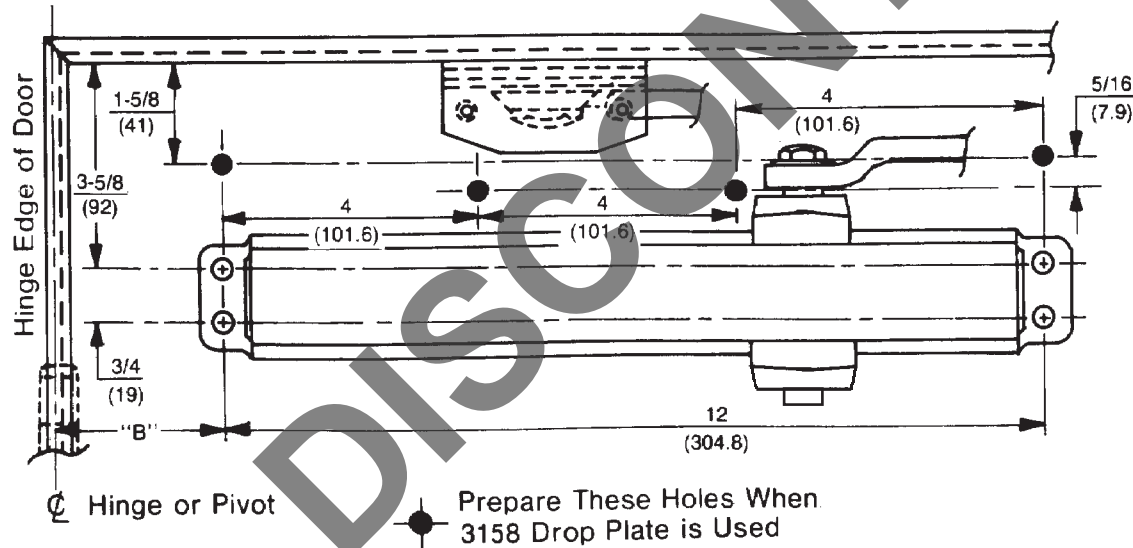
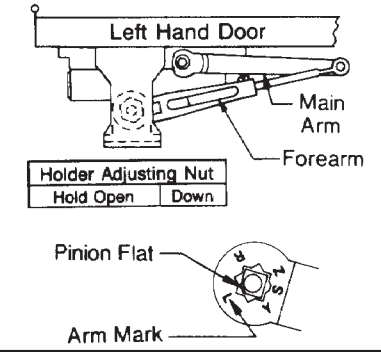
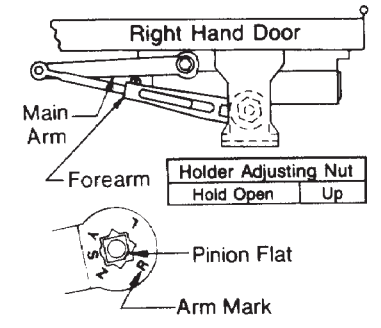


Opening	Dimension "A"		Dimension "B"	
	inches	mm	inches	mm
To 120°	9-1/2	241	3-3/4	95
Over 120°*	7	178	1-1/4	32

* Door openings to 180° conditions permitting



Position of Arm Mark and Pinion Flat



- Do not scale drawing.
- Left hand door shown.
- Dimensions are in inches (mm)
- Hollow metal doors require channel or box type reinforcement when thru bolt mount is specified.
- Sex bolts may be required for wood or plastic faced fire door mounting.
- Minimum thickness recommended for reinforcements in hollow metal doors and frames: .1046" (2.66mm) unless otherwise noted.
- Hold Open Arms are not permitted to be used on fire doors.

**2511 Door Closer With or Without 3158 Drop Plate
Parallel Application With Hold Open Arm
Multi-size Units**

Yale 100 Yale Ave.
Lenoir City, TN 37771-3226
1-800-438-1951
www.yalelocks.com

TEMPLATE NUMBER	DATE
7325-0211	07-10